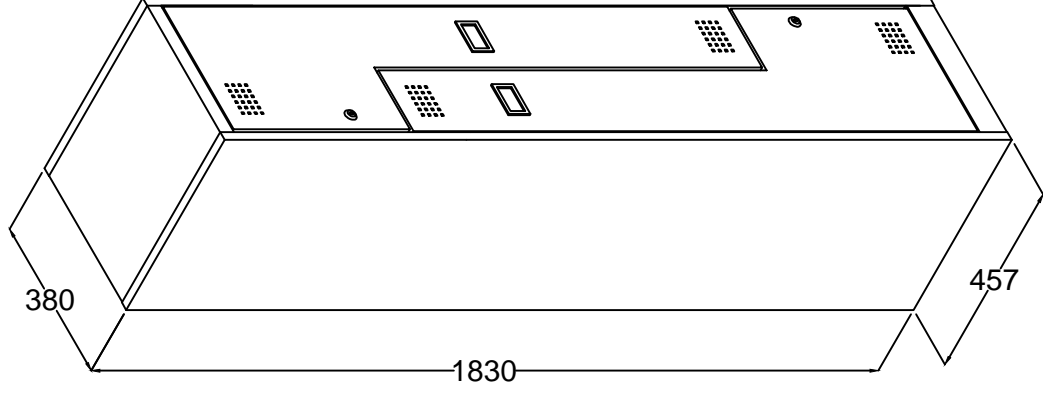


# ASSEMBLY INSTRUCTIONS FOR 'Z' LC2

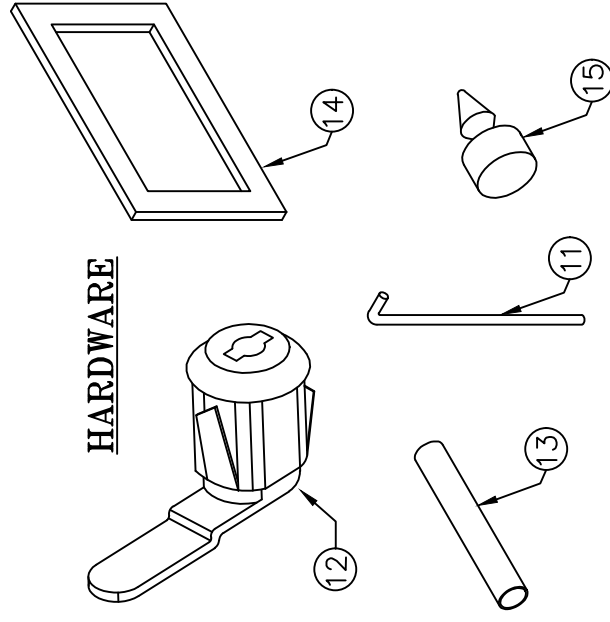
\* TOOLS REQUIRED : SOFT HAMMER.



## PARTS LIST

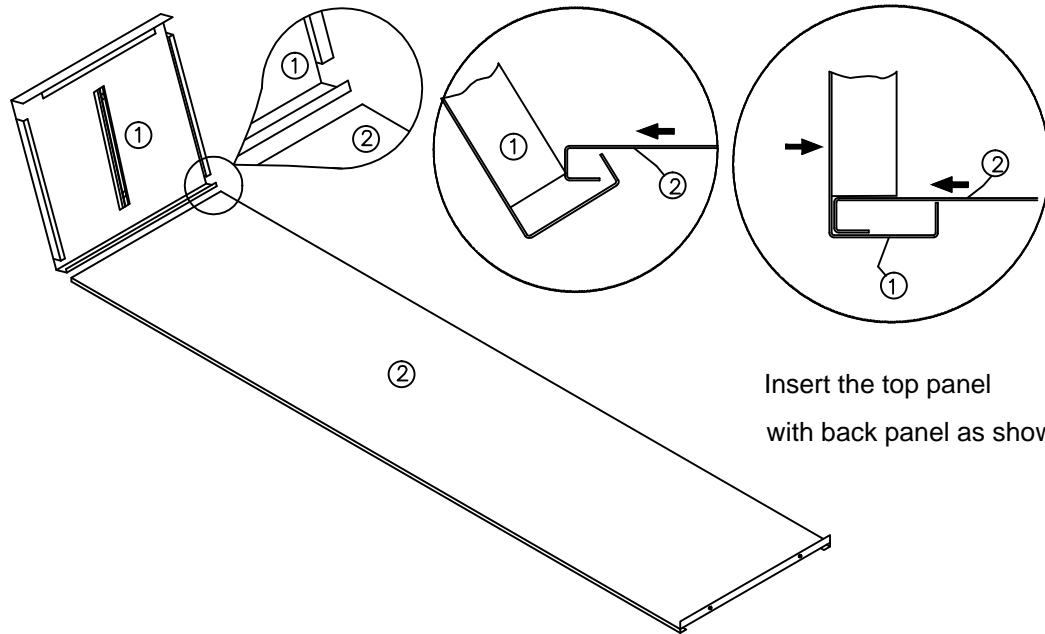
PART NO.	DESCRIPTION	QTY.
1.	TOP PANEL	1
2.	BACK PANEL	1
3.	SIDE PANEL RH	1
4.	SIDE PANEL LH	1
5.	FRAME	1
6.	PARTITION PANEL	1
7.	BOTTOM PANEL	1
8.	HALF SHELF PANEL	2
9.	TOP DOOR RH	1
10.	BOTTOM DOOR LH	1
11.	HINGE PIN	6
12.	CAM LOCK	2
13.	HANGING ROD	2
14.	PVC CARD HOLDER	2
15.	BANGER	6

### HARDWARE



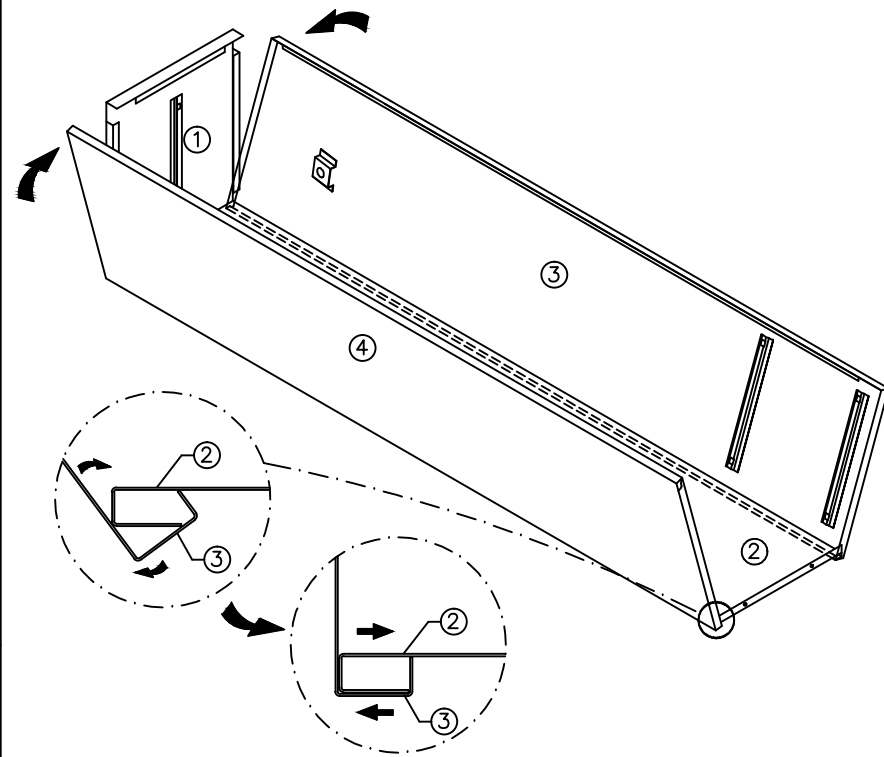
STEP : 1

TOP PANEL INSERTION WITH BACK PANEL



Insert the top panel with back panel as shown.

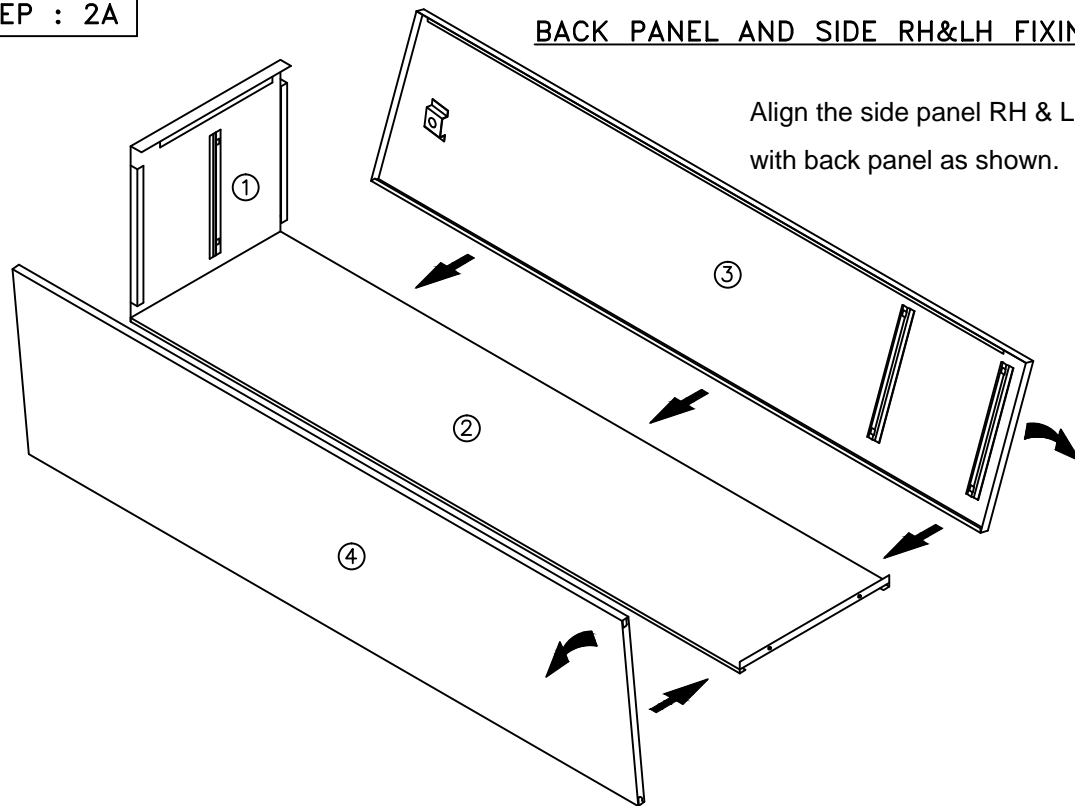
STEP : 2B



Tilt both the side panel slightly outwards and place the back, top assembly into the side panel and make sure the top panel is fully inserted as shown.

STEP : 2A

BACK PANEL AND SIDE RH&LH FIXING

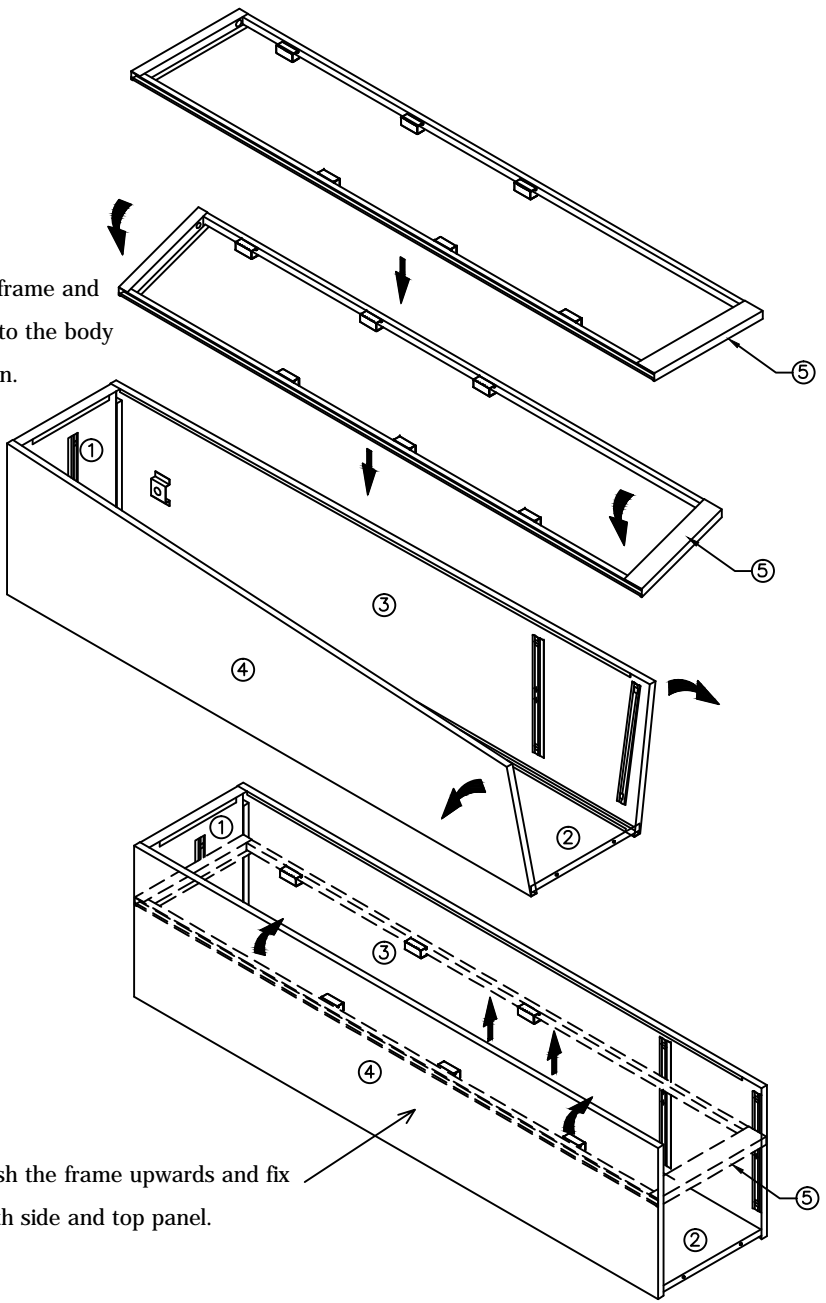


Align the side panel RH & LH with back panel as shown.

STEP : 3

FRONT FRAME INSERTION

Tilt the frame and insert into the body as shown.

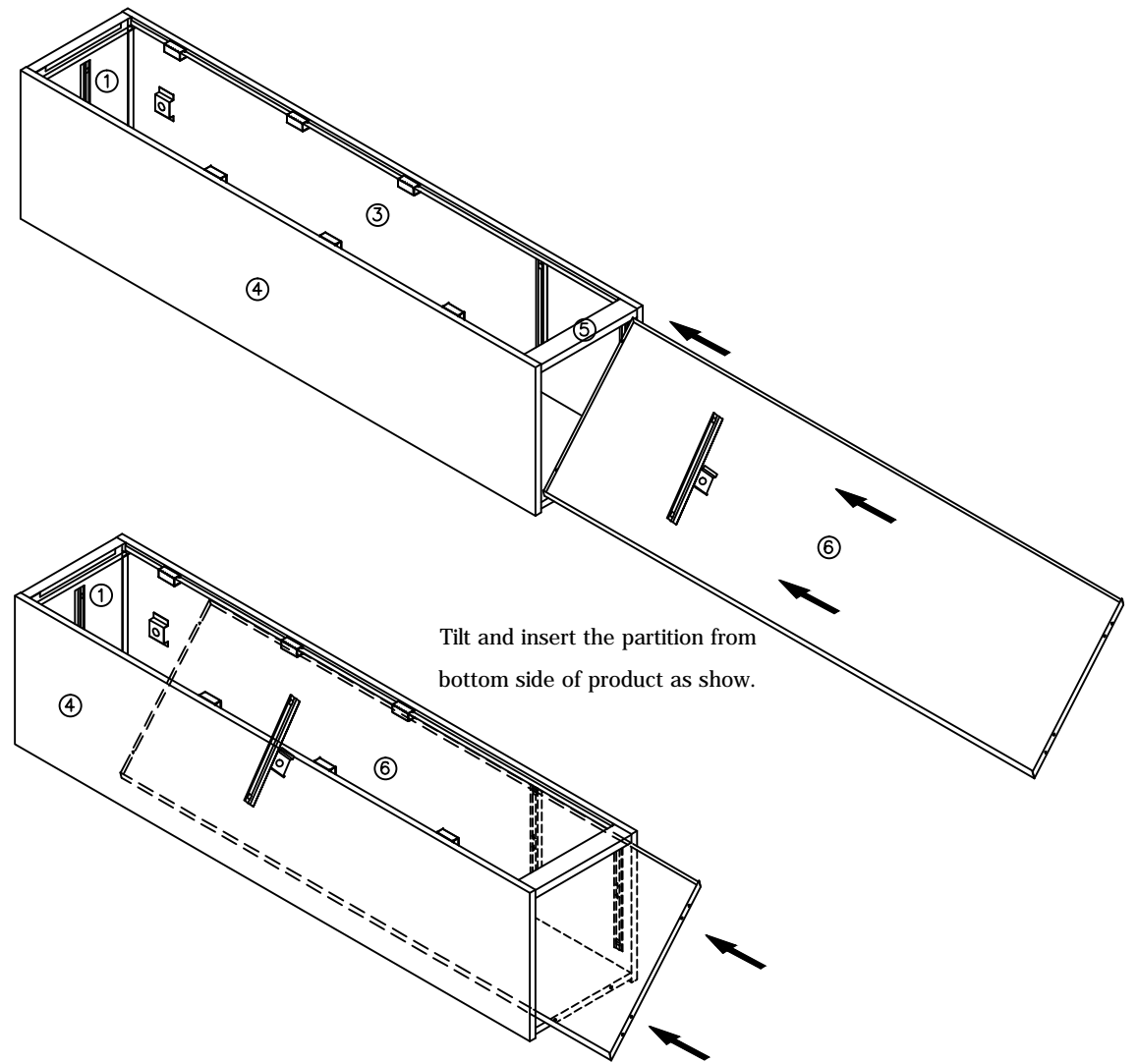


Push the frame upwards and fix with side and top panel.

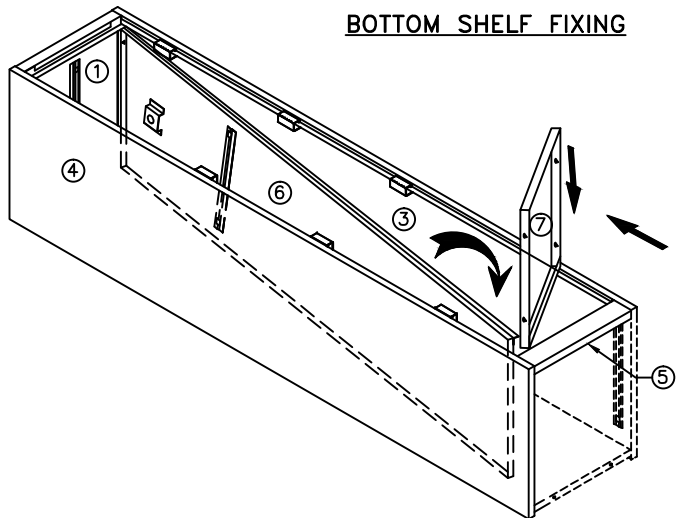
STEP : 4

PARTITION PANEL INSERTION

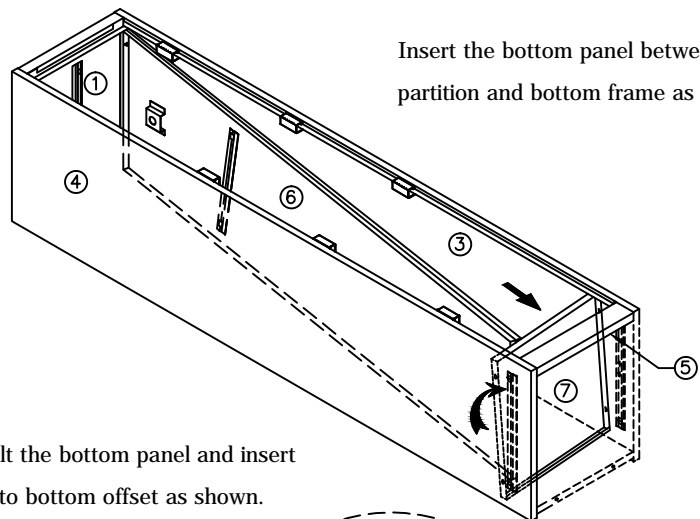
Tilt and insert the partition from bottom side of product as show.



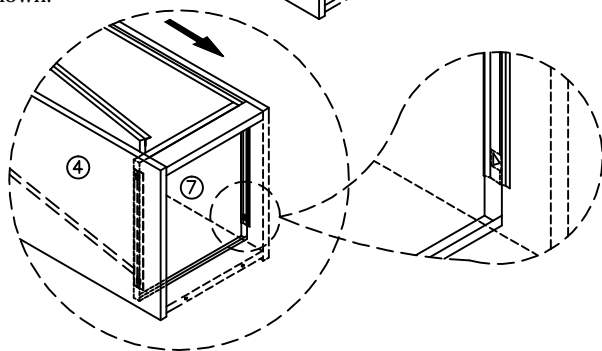
## BOTTOM SHELF FIXING



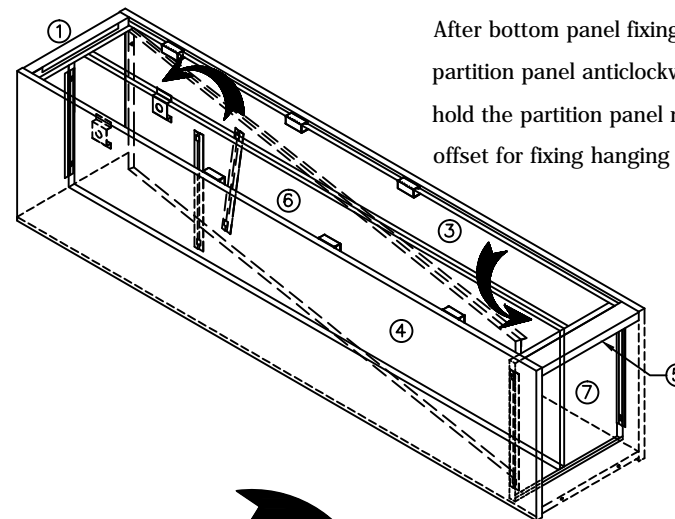
Insert the bottom panel between partition and bottom frame as shown.



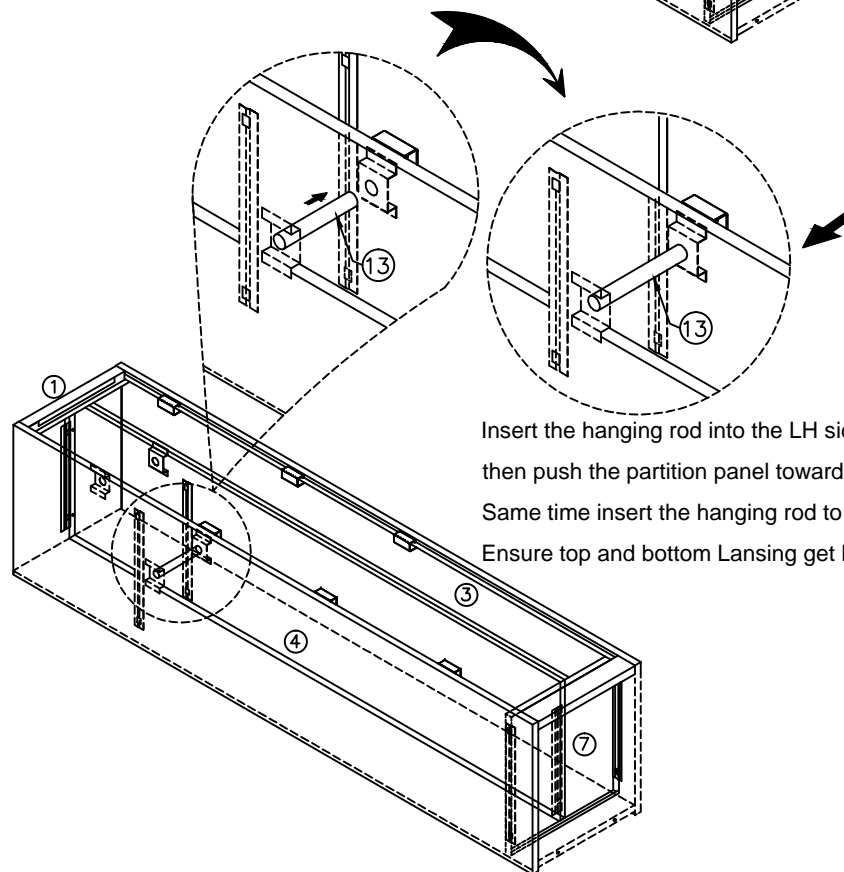
Tilt the bottom panel and insert into bottom offset as shown.



## PARTITION AND HANGING ROD INSERTION



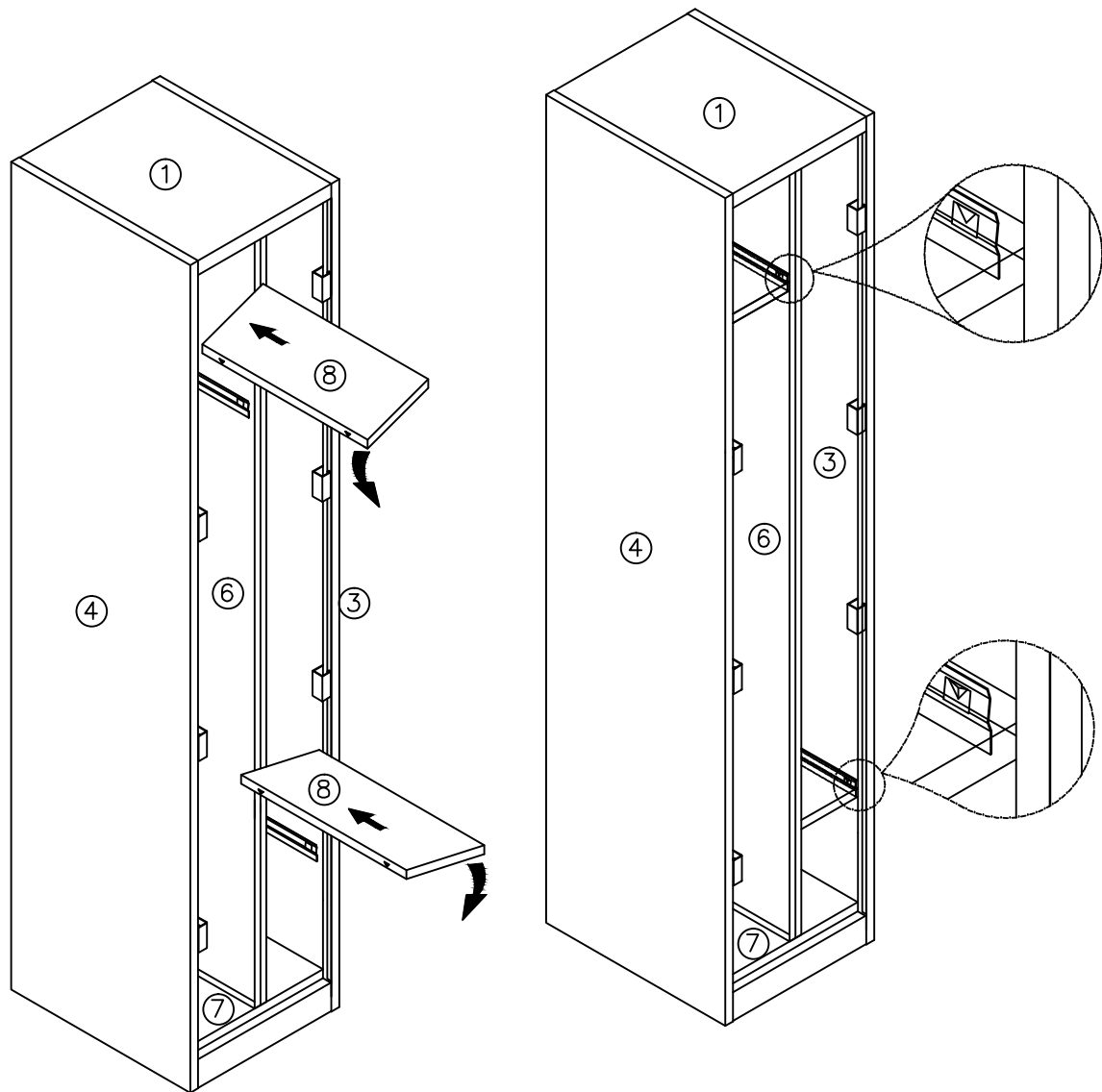
After bottom panel fixing rotate the partition panel anticlockwise then hold the partition panel near the top and bottom offset for fixing hanging rod.



Insert the hanging rod into the LH side panel hanging BKT then push the partition panel towards LH side. Same time insert the hanging rod to other end of hanging BKT. Ensure top and bottom Lancing get locked with partition panel.

STEP : 7

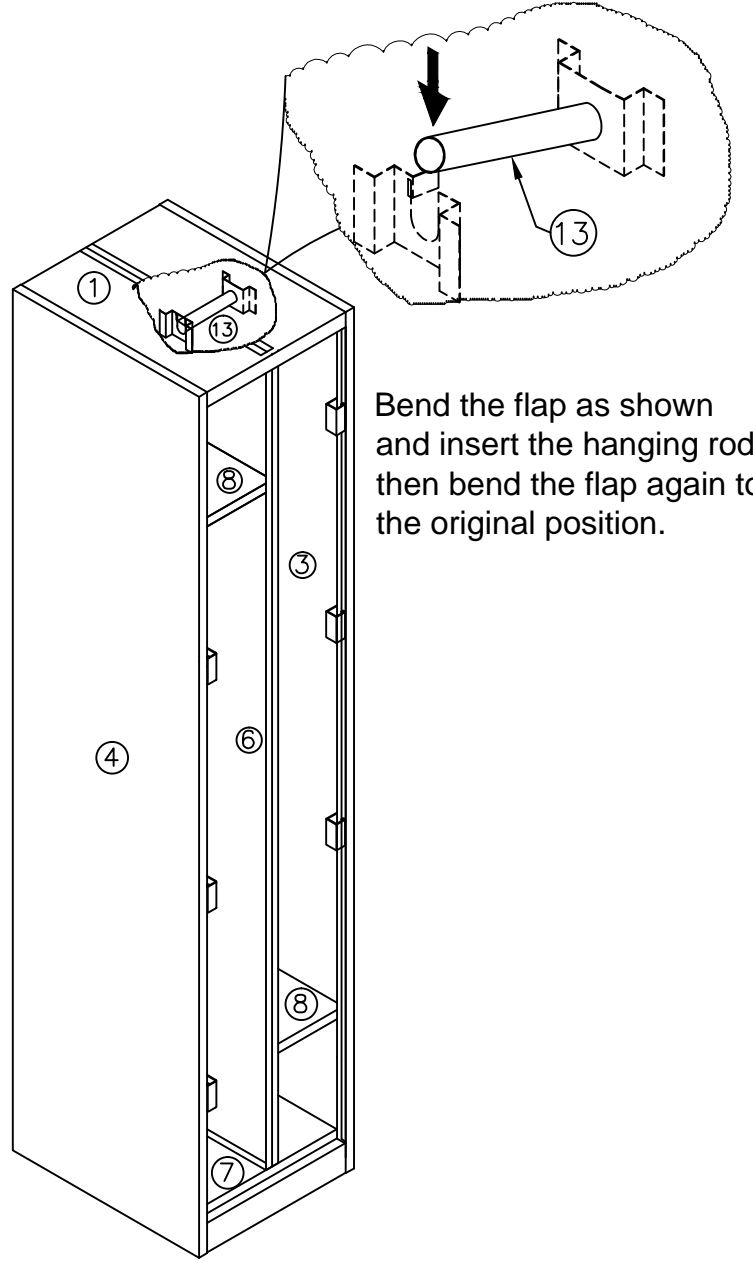
HALF SHELF MOUNTING



Fix the half shelf with side offsets as shown.

STEP : 8

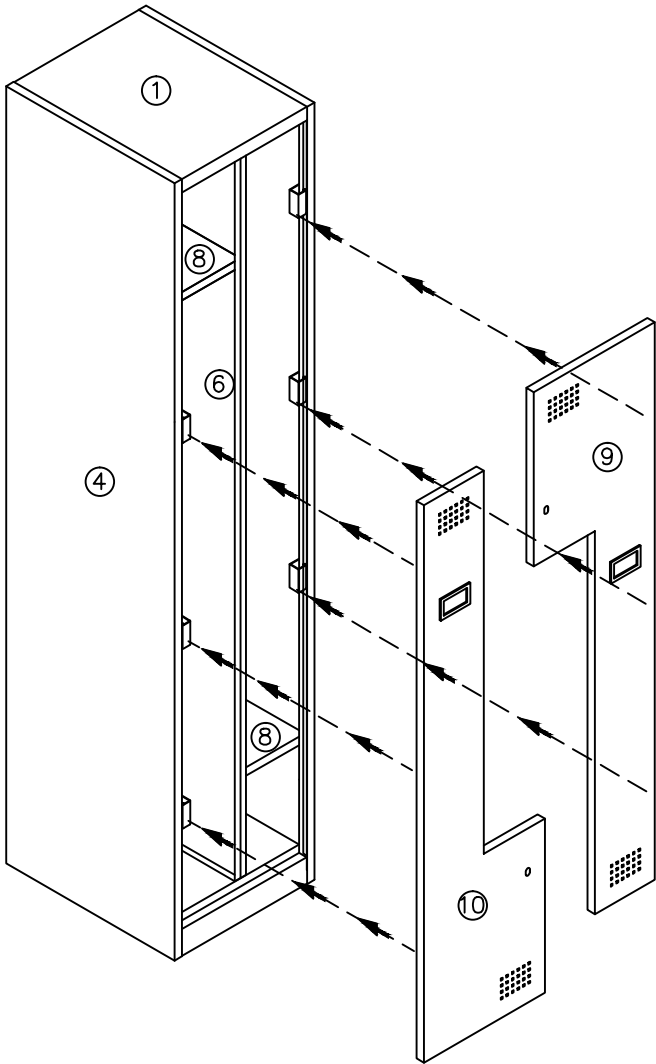
HANGING ROD INSERTION



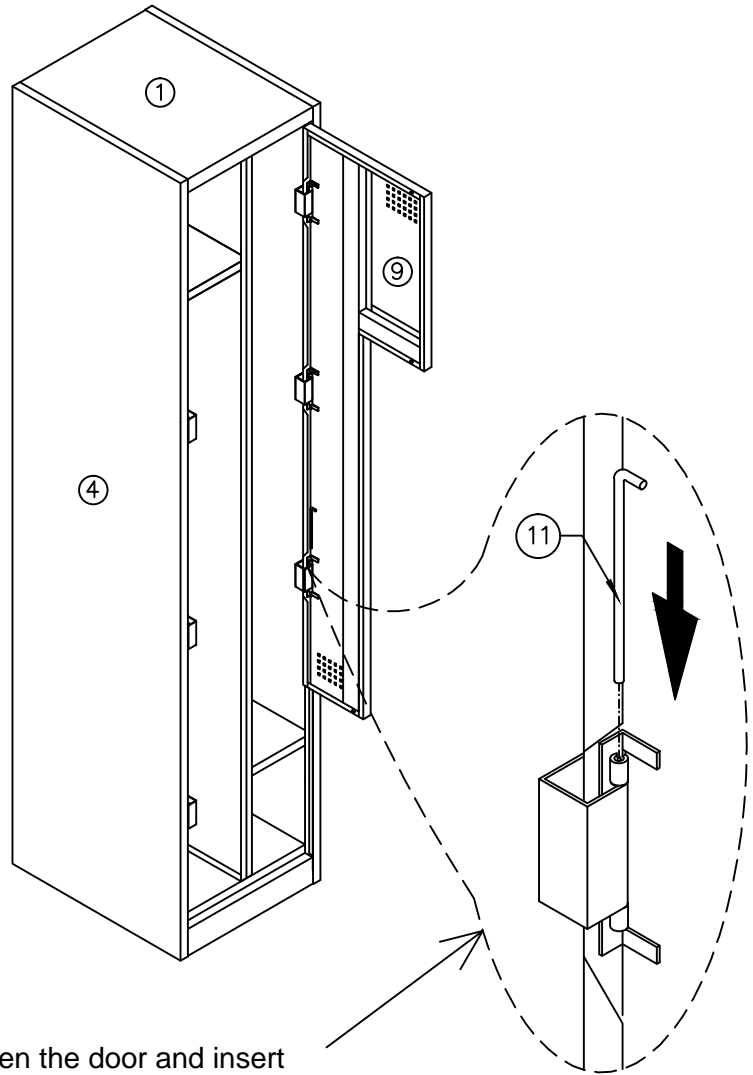
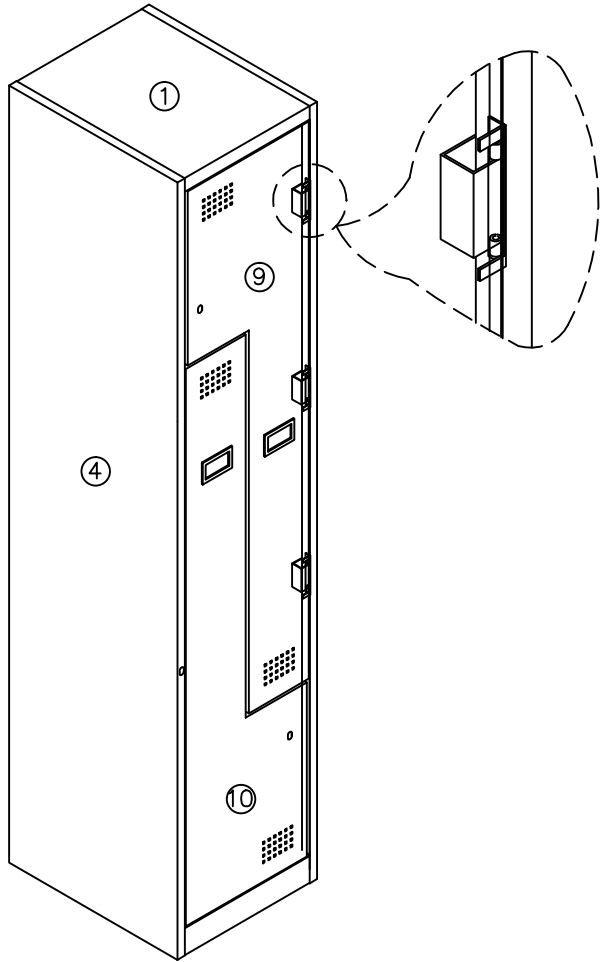
Bend the flap as shown and insert the hanging rod then bend the flap again to the original position.

STEP : 9

DOOR FIXING

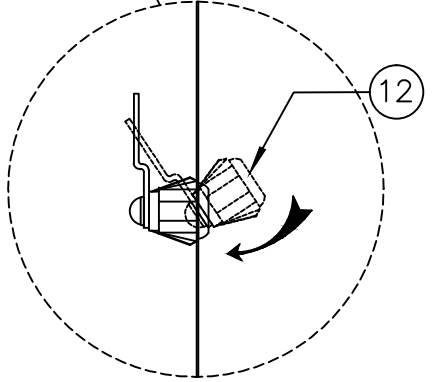
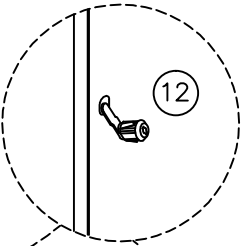
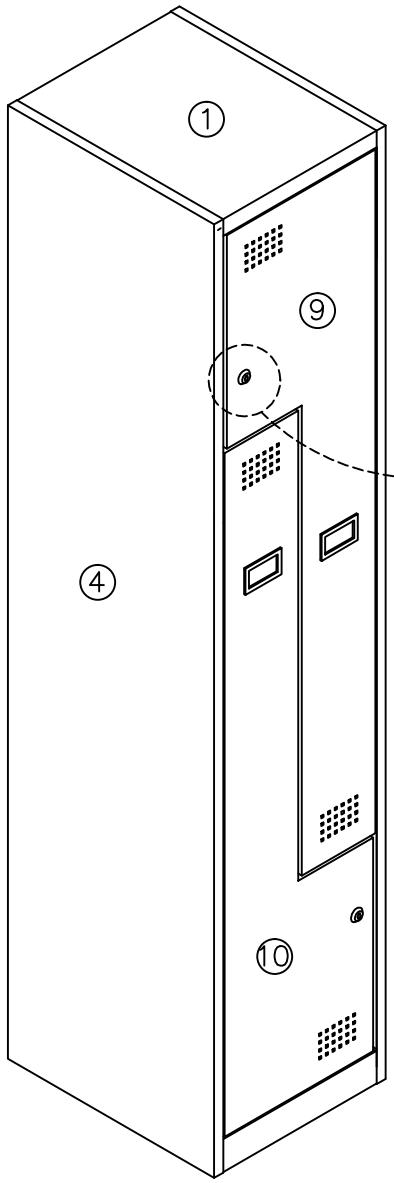


Hold the door in closed position and align the door hinges with the side hinges, then push it inside to fix.



Slowly open the door and insert the hinge pin as shown.

CAM LOCK INSERTION



Tilt and insert the lock into the lock cutout and press it till get snap lock.

