

Godrej & Khimji

Mobile Pedestal

Stylish and sturdy, our mobile pedestal is aesthetically designed to provide compact storage and to fit in an office or home area.

The pedestal can easily roll under most work surfaces to conserve space. All drawers are mounted on double extension ball bearing slides which are smooth and easy to operate.

The drawers extend fully for convenient access to the whole drawer. The pedestal can accommodate legal / foolscap, A4 and letter size files with the use of a cradle, wherever necessary.

Five castors are provided for each pedestal which incorporates a filing drawer.







Mobile Pedestal

MP3 M1 PT SRH

Three drawers mobile pedestal (one filing drawer and two stationery drawers with a pencil tray in the first stationery drawer) with side recessed handles and with 5 castors.

Features	Height	Width	Depth
2 BOX +1 FILE LEGAL SIZE	613 (24.1")	460 (18.1")	472 (18.6")

MP3 M3 PT SRH

Three drawers mobile pedestal (one filing drawer and two stationery drawers with a pencil tray in the first stationery drawer) with side recessed handles and with 5 castors

2 BOX +1 FILE A4 SIZE	613 (24.1")	402 (15.8")	472 (18.6")
--------------------------	-------------	-------------	-------------

MP2 M4 SRH

Two drawers side recessed handle mobile pedestal (two filing drawers) and with two file bars in each drawer and with 5 castors for legal and letter size in the filing drawer.

2 FILES LETTER SIZE	730 (28.7")	380 (15.0")	472 (18.6")
------------------------	-------------	-------------	-------------

MP3 M2 PT SNH

Three drawers mobile pedestal (one filing drawer and two stationery drawers with a pencil tray in the first stationery drawer) with swan neck handles and with 5 castors.

Features	Height	Width	Depth
2 BOX +1 FILE A4 SIZE	608 (23.9")	405 (15.9")	457 (18.0")

Heights shown above are inclusive of castors with a height of 58 mm (2.3")
Measurements are in millimeters (approx. inches)

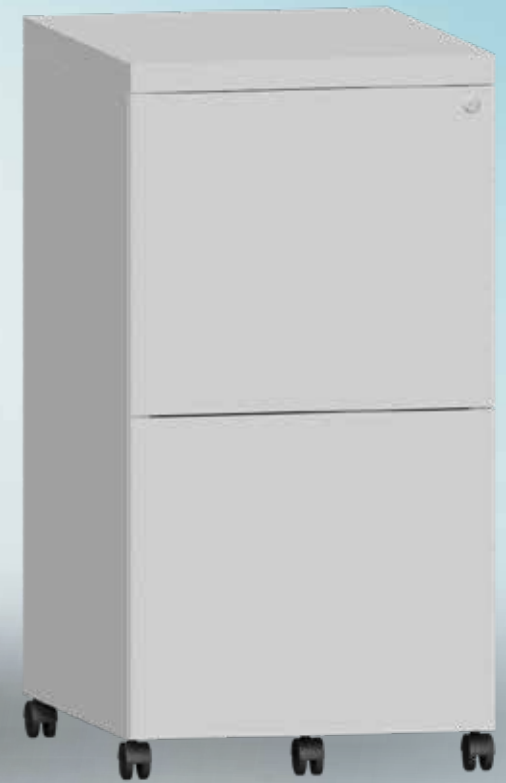
Mobile Pedestal



MP3 M1 PT SRH



MP3 M2 SNH



M2 M4 SRH



KEY FEATURES

- Limited Lifetime warranty as per clause.
- File drawers are suitable to store suspension files.
- User friendly sleek handles are provided on the side for a distinctive appearance or elegant swan neck recessed handles are incorporated on the front of each drawer.
- Top stationery drawer has one ABS plastic pencil tray in all Models except MP2 M4 SRH
- Full height drawer sides and back allow for additional storage capacity and added strength.
- Full extension drawers for convenient access to the whole drawer.
- Uniformly distributed load of 10 kg and 15 kg for each stationery drawer and filing drawer respectively.
- Product, with a filing drawer, has a fifth castor to prevent tipping and for stability on the filing drawer.
- Two castors fitted to the front corners are lockable.
- Central cam lock controlling all drawers.
- Core removable locks can be provided on request.
- Master keys can be supplied for locks.
- Locks have 1,000 / 3,000 combinations.
- Plastic key caps are 99% anti bacterial.
- Mobile pedestals are packed in completely built up condition or in completely knocked down condition and shipped accordingly.

LOCK OPTION



Cam Lock

OPTIONAL ACCESSORIES

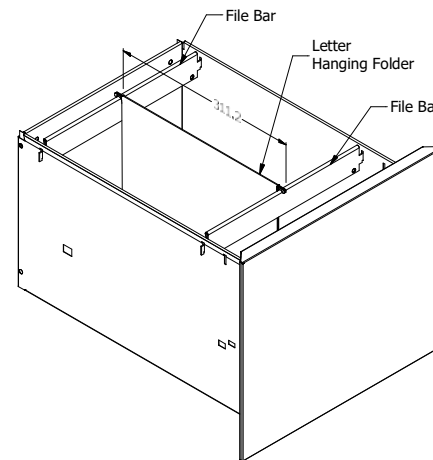


Pencil Tray

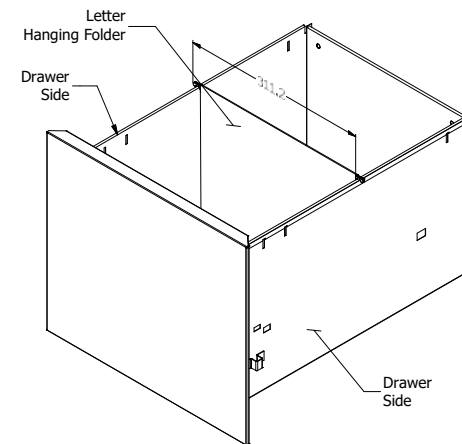


Handle

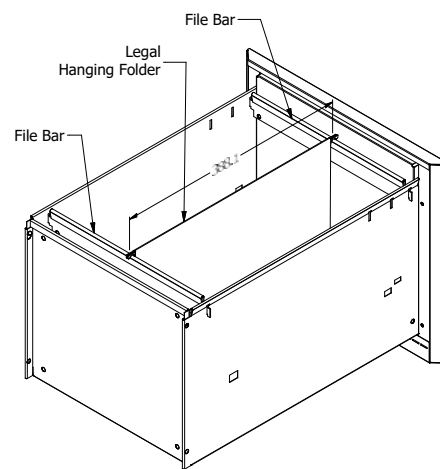
Pedestal Filing Arrangement



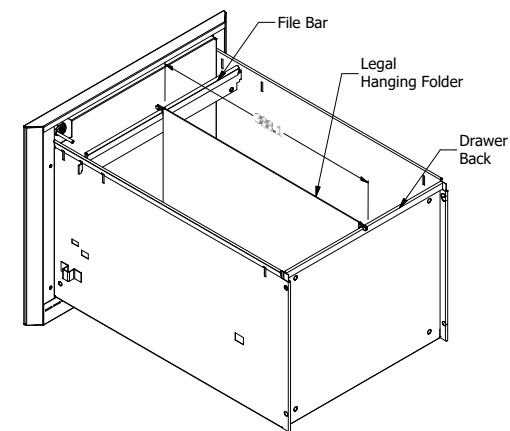
Letter File - Hangs on two file bars
(Side to Side arrangement)



Letter File - Hangs between drawer sides
(Front to Back arrangement)



Legal File - Hangs on two file bars - Lower drawer
(Side to Side arrangement)



Legal File - Hangs on one file bar & drawer back - Upper drawer
(Side to Side arrangement)

