

Crafted in Steel. Trusted for Years.

STORAGE & FILING SOLUTIONS
with INSPIRING COLOURS



Godrej & Khimji

Product catalogue 2026- 2027



INDEX

1	Introduction	03 - 04	11	Light weight book rack	62 - 65
2	Testing institutes	05	12	Packing volume (CKD) and Product dimensions	66 - 70
3	Range of colours	06 - 07	13	Quality of raw materials and manufacturing process	71
4	Vertical filing cabinet	08 - 13	14	General terms and conditions (i) Provisions of sale (ii) Warranty clause	71
5	Lateral filing cabinet	14 - 19	15	Contact details	72
6	Swing door storage cupboard	20 - 29			
7	Sliding door storage cupboard	30 - 35			
8	Tambour door storage cupboard	36 - 41			
9	Locker cabinet	42 - 55			
10	Mobile pedestal	56 - 61			

Introduction

Igniting enthusiasm & passion for quality. Instilling values & confidence.

Godrej & Khimji (Middle East) LLC is a joint venture company between the Godrej Enterprises Group from India and the Khimji Ramdas Group from the Sultanate of Oman.

Established in 2001 in the Sohar Industrial Estate in the Sultanate of Oman, the company is a manufacturer and exporter of steel, office, domestic and recreational furniture, encompassing filing and storage systems for personal and commercial use.

The company has 25 years of manufacturing experience.

The Godrej Enterprises Group is an Indian conglomerate, one of the largest privately held diversified industrial corporations, head quartered in Mumbai, India.

Godrej & Boyce Mfg. Co. Ltd., the flagship company of the Godrej Enterprises Group, was founded in 1897 and is a vibrant multi business enterprise and operates in multifarious sectors ranging from security equipment, home appliances, locks, office, home, laboratory and healthcare furniture, shelving and racking, vending machines, process equipment, aerospace, material handling systems, energy services and information technology to real estate development and leasing.

Godrej is a symbol of enduring ideals in a changing world.

The Khimji Ramdas Group is one of the biggest conglomerates in the Sultanate of Oman.

Khimji Ramdas LLC was established in 1870 and has a wide range of activities spanning trading, distribution, retailing, services and manufacturing.

The Khimji Ramdas Group is engaged in FMCG distribution, shipping, logistics and allied services, infrastructure and building construction and a diversified retail portfolio of grocery stores and luxury goods.

Resolute focus on customer satisfaction for a versatile portfolio of globally renowned and locally reputed brands has assisted Khimji Ramdas LLC in consistently maintaining its leadership position in all the sectors.



Our **Mission**

Furniture designed for people.

Value engineered products to provide comprehensive and functional filing and storage systems.

To surpass expectations of our customers for product excellence, quality, cost, delivery and service through continuous improvement and customer interaction and to help them gain competitive advantage in their markets.

Maintain impeccable integrity in our interactions with our customers, suppliers, business partners and associates.



Our **Values**

- Integrity
- Trust
- Respect
- Customer Satisfaction
- Care for the environment

Our **Motto**

- Leading manufacturer for global markets
- The best is yet to come
- Keeping ahead of the curve



STEEL a 'GREEN' material

Products are designed, at our company, with sustainability and care for the environment. Steel recycling attributes a significant part in reducing the burden on resources since it can always be melted again without loss of quality.

Consequently, there is considerable reduction in CO2 emissions and in the carbon footprint of our products.

Steel Furniture

Steel is extremely resilient, reliable and highly resistant to temperature fluctuations.

As compared to forms of wood, steel is environment friendly as it does not emit phenol which is harmful to health. In addition, it is fire resistant and has no harmful resins and glues. Metal is also easy to clean in comparison to wood.

Steel furniture has a long service life and can withstand an unlimited number of relocations and mostly comes in ready to install forms. They can be easily moved from one place to another without hampering the quality of the wardrobe.

Steel wardrobes have the ability to create a simple, smart and aesthetically beautiful interior and are low in care and maintenance.

Steel is completely resistant to attacks by termites which therefore cannot damage steel furniture.

Easy to assemble, steel wardrobes come in various designs with intelligent storage spaces that are designed keeping in mind the storage needs of modern users. In the end, they are durable and long lasting, have a perfect presentation and are extremely cost efficient.

Steel also offers unlimited colour possibilities.

Both in terms of stability and elasticity as a material, steel is unbeatable.

Steel is very difficult to distort in comparison to wood.

Overall, steel illustrates an ideal combination of durability, design and ecology.

Testing Institutes

Our **main products** have been and are being **tested** for

(i) STRENGTH (ii) DURABILITY

(iii) STABILITY (iv) FUNCTION

to meet International Standards

(i) AMERICAN STANDARDS

Successful completion of testing in the years 2021 / 2022 by **BUREAU VERITAS CONSUMER PRODUCTS SERVICES INC.** in **USA.**

(a) VERTICAL FILING CABINET

to comply with American Standards **ANSI / BIFMA X 5.9 -19**

(b) LATERAL FILING CABINET

to comply with American Standards **ANSI / BIFMA X 5.9 -19**

(ii) BRITISH STANDARDS

Successful completion of testing in the years 2006, 2008 and 2009 by

FURNITURE INDUSTRY RESEARCH ASSOCIATION (FIRA) INTERNATIONAL LIMITED in **UNITED KINGDOM**

(a) VERTICAL FILING CABINET

to comply with **British Standards BS EN 14073 - 2 / 3, BS EN 14074 and BS 4875 - 7**

(b) SWING DOOR STORAGE CUPBOARD

to comply with **British Standards BS 4875-7 and BS 4875-8.**

(c) LOCKER CABINET

to comply with **British Standards BS 4680**

(iii) AUSTRALIAN / NEW ZEALAND STANDARDS

Successful completion of testing in the years 2008, 2009 and 2014 by

AUSTRALASIAN FURNISHING RESEARCH AND DEVELOPMENT INSTITUTE (AFRDI) in **AUSTRALIA**

(a) VERTICAL FILING CABINET

to comply with **Australian / New Zealand Standards AS 5079.2**

(b) SWING DOOR STORAGE CUPBOARD

to comply with **Australian / New Zealand Standards AS / NZS 4790**

(c) LOCKER CABINET

to comply with **Australian / New Zealand Standards AS/NZS 4790**



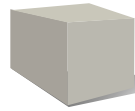
Copies of BIFMA, FIRA and AFRDI certificates can be furnished.

Range of Colours

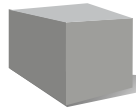
STANDARD COLOURS



Sand Beige
Customized



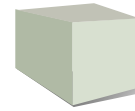
Seal Grey
Customized



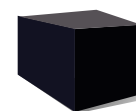
Battleship Grey
Customized



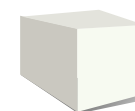
Olive Green
RAL 6003



Light Grey
RAL 7035



Jet Black
RAL 9005



Traffic White
RAL 9016

NON STANDARD COLOURS



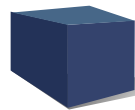
Beige
RAL 1001



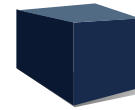
Ivory
RAL 1014



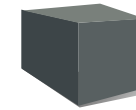
Light Ivory
RAL 1015



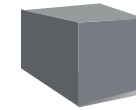
Violet Blue
RAL 5000



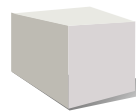
Sapphire Blue
RAL 5003



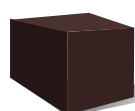
Blue Grey
RAL 7031



Telegrey 2
RAL 7046



Telegrey 4
RAL 7047



Chocolate Brown
RAL 8017



Pale Brown
RAL 8025



Signal Black
RAL 9004



PREMIUM COLOURS



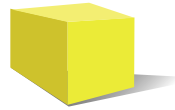
Satin White
Customized



Signal Yellow
RAL 1003



Oyster White
RAL 1013



Zinc Yellow
RAL 1018



Bright Red Orange
RAL 2008



Light Pink
RAL 3015



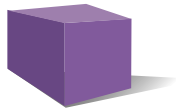
Rose
RAL 3017



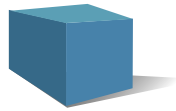
Traffic Red
RAL 3020



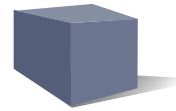
Heather Violet
RAL 4003



Blue Lilac
RAL 4005



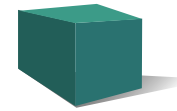
Light Blue
RAL 5012



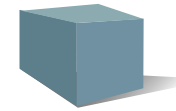
Pigeon Blue
RAL 5014



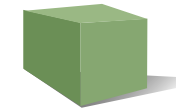
Sky Blue
RAL 5015



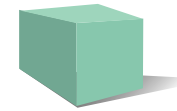
Water Blue
RAL 5021



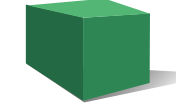
Pastel Blue
RAL 5024



Pale Green
RAL 6021



Light Green
RAL 6027



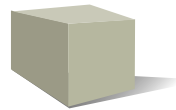
Signal Green
RAL 6032



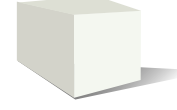
Mint Turquoise
RAL 6033



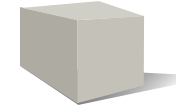
Graphite Grey
RAL 7024



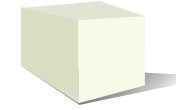
Pebble Grey
RAL 7032



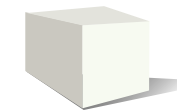
Signal White
RAL 9003



White Aluminium
RAL 9006



Pure White
RAL 9010



Papyrus White
RAL 9018

TEXTURE FINISH CAN BE PROVIDED FOR SOME RAL CODES.

COLOURS AND RAL CODES SHOWN ABOVE ARE MERELY REPRESENTATIVE OF THE ACTUAL FINISHES.

ADDITIONAL CHARGES WILL BE APPLICABLE FOR NON STANDARD, PREMIUM AND TEXTURE FINISH COLOURS.



Godrej & Khimji

Vertical Filing Cabinet

Vertical filing cabinets, manufactured by us, are robust and practical and are built from durable components to withstand frequent use.

All drawers are mounted on double extension ball bearing slides which are smooth and easy to operate.

The drawers extend fully for convenient access to the whole drawer.

The cabinets are provided in three drawer widths to accommodate legal / foolscap, A4 and letter size files.

The vertical filing cabinet has been tested for strength, durability, stability and function to meet American Standards ANSI / BIFMA X 5.9 -19, Australian Standards AS 5079.2 and British Standards BS EN 14073 – 2 / 3, BS EN 14074 and BS 4875 – 7.



Certified in 2021
in USA



Certified in 2009
in UK



Certified in 2009 & 2014
in AUSTRALIA







Vertical Filing Cabinet

VFC 2

Two drawers

Model	Height	Width	Depth
VFC 2 LS / FS	710 (28.0")	470 (18.5")	620 (24.4")
VFC 2 A4	710 (28.0")	415 (16.3")	620 (24.4")
VFC 2 LES	710 (28.0")	395 (15.6")	620 (24.4")

VFC 3

Three drawers

VFC 3 LS / FS	1,015 (40.0")	470 (18.5")	620 (24.4")
VFC 3 A4	1,015 (40.0")	415 (16.3")	620 (24.4")
VFC 3 LES	1,015 (40.0")	395 (15.6")	620 (24.4")

VFC 4

Four drawers

Model	Height	Width	Depth
VFC 4 LS / FS	1,320 (52.0")	470 (18.5")	620 (24.4")
VFC 4 A4	1,320 (52.0")	415 (16.3")	620 (24.4")
VFC 4 LES	1,320 (52.0")	395 (15.6")	620 (24.4")

VFC 5

Five drawers

VFC 5 LS / FS	1,625 (64.0")	470 (18.5")	620 (24.4")
VFC 5 A4	1,625 (64.0")	415 (16.3")	620 (24.4")
VFC 5 LES	1,625 (64.0")	395 (15.6")	620 (24.4")

Measurements are in millimeters (approx. inches)

Vertical Filing Cabinet



VFC 2 LS/FS



VFC 3 LS/FS



VFC 4 LS/FS



VFC 5 LS/FS

KEY FEATURES



- Limited Lifetime warranty as per clause.
- Durable steel structure.
- 45 kg ball bearing slides for uniformly distributed load for each drawer.
- Drawers operate on full extension precision ball slides for smooth movement.
- Suitable to store legal / foolscap, A4 and letter size files.
- Full height drawer sides and back to provide additional storage capacity and added strength.
- Full extension drawers for convenient access to the whole drawer.
- Anti-tilt design allows one drawer to be opened at a time, thereby preventing the toppling over of the cabinet (product must be placed on level ground).
- Anti rebound mechanism prevents drawer from coming out again after it is pushed in.
- Legal/Foolscap vertical filing cabinet can also accommodate A4 and Letter size files with the incorporation of a cradle.
- Security bar can be provided for each cabinet for additional protection.
- Central cam lock controlling all drawers.
- Core removable locks can be provided on request.
- Master keys can be supplied for locks.
- Locks have 1,000 / 3,000 combinations.
- Plastic key caps are 99% anti bacterial.
- PVC or formed label holder for each drawer can be supplied on request.
- File bars can be provided in the foolscap filing to accommodate A4 files.
- Vertical filing cabinets are packed in completely knocked down condition.
- Cabinets can also be 100% factory built and shipped fully assembled.
- Thicker gauges of steel can be offered.
- Fastener free assembly ensures quick assembly without the use of screws or rivets.

HANDLE OPTIONS



Rectangular Recessed Handle - RH



Swan neck Recessed Handle - SNH



Formed Recessed Handle with strip for LS / FS models - FH

LOCK OPTIONS



Cam Lock



Numeric Lock



Security Bar with Padlock

OPTIONAL ACCESSORIES



PVC Label Holder



File Separator



Formed Label Holder

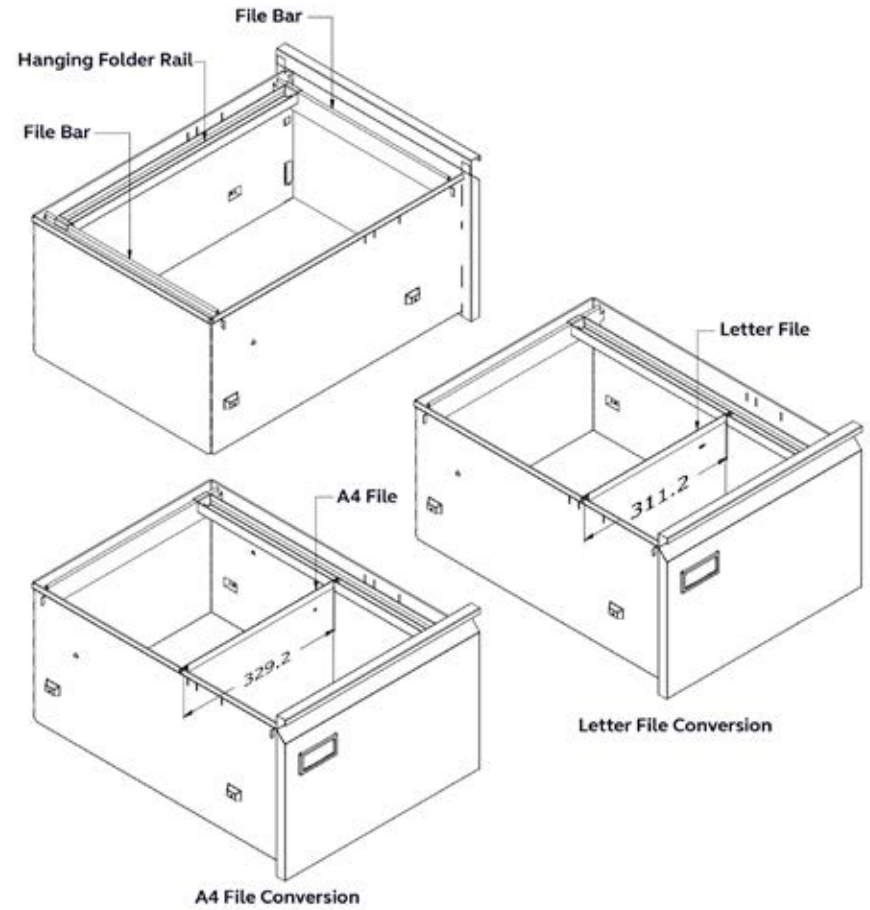


Aluminium Label Holder



Handle

VFC Legal Drawer File Conversion



Godrej & Khimji

Lateral Filing Cabinet

Our lateral filing cabinets provide ergonomic features and are sturdy and aesthetically designed to provide a comprehensive filing system.

All drawers are mounted on ball bearing slides which are smooth and easy to operate.

The drawers extend fully for convenient access to the whole drawer.

The cabinets can accommodate legal / foolscap, A4 and letter size files.

The lateral filing cabinet has been tested for strength, durability, stability and function to meet American Standards ANSI / BIFMA X 5.9 -19



Certified in 2022
in USA







Lateral Filing Cabinet

LFC 2

Two drawers

Model	Height	Width	Depth
LFC 2 S	710 (28.0")	762 (30.0")	463 (18.2")
LFC 2 M	710 (28.0")	914 (36.0")	463 (18.2")
LFC 2 L	710 (28.0")	1,067 (42.0")	463 (18.2")

LFC 3

Three drawers

LFC 3 S	1,015 (40.0")	762 (30.0")	463 (18.2")
LFC 3 M	1,015 (40.0")	914 (36.0")	463 (18.2")
LFC 3 L	1,015 (40.0")	1,067 (42.0")	463 (18.2")

LFC 4

Four drawers

LFC 4 S	1,320 (52.0")	762 (30.0")	463 (18.2")
LFC 4 M	1,320 (52.0")	914 (36.0")	463 (18.2")
LFC 4 L	1,320 (52.0")	1,067 (42.0")	463 (18.2")

LFC 5

Five drawers

Model	Height	Width	Depth
LFC 5 S	1,625 (64.0")	762 (30.0")	463 (18.2")
LFC 5 M	1,625 (64.0")	914 (36.0")	463 (18.2")
LFC 5 L	1,625 (64.0")	1,067 (42.0")	463 (18.2")

LFC 4 M FUD 1

Four drawers with one flip up door

LFC 4 M FUD 1	1,625 (64.0")	914 (36.0")	463 (18.2")
---------------	---------------	-------------	-------------

Heights shown above are without levelling guides.
Measurements are in millimeters (approx. inches)

Lateral Filing Cabinet



LFC 2



LFC 3



LFC 4



LFC 4 M FUD 1

KEY FEATURES



- Limited Lifetime warranty as per clause.
- Durable steel structure.
- 30 kg and 50 kg ball bearing slides for uniformly distributed load for each drawer.
- Drawers operate on full extension precision ball slides for smooth movement.
- A file bar and a hanging folder rail are provided in each drawer to accommodate legal / foolscap, A4 and letter size files for side to side or for front to back filing.
- Full height drawer sides and back to provide additional storage capacity and added strength.
- Full extension drawers for convenient access to the whole drawer.
- Anti-tilt design allows one drawer to be opened at a time preventing the toppling over of the cabinet. The anti-tilt locking mechanism is interlinked on both sides and therefore two drawers cannot be opened together at the same time (product must be placed on level ground).
- Anti rebound mechanism prevents drawer from coming out again after it is pushed in.
- Counter weight is provided for each lateral filing cabinet.
- Levelling guides are included at the bottom of the cabinet, at the four corners, to allow for adjustment on uneven floor surfaces and for floor protection.
- Central cam lock controlling all drawers at both ends.
- Core removable locks can be provided on request.
- Master keys can be supplied for locks.
- Locks have 1,000 / 3,000 combinations.
- Plastic key caps are 99% anti bacterial.
- PVC or formed label holder for each drawer can be supplied on request.
- Lateral filing cabinets are packed in completely knocked down condition.
- Cabinets can also be 100% factory built and shipped fully assembled.
- Thicker gauges of steel can be offered.

HANDLE OPTIONS



Rectangular Recessed
Handle - RH



Swan neck Recessed
Handle - SNH

LOCK OPTION



Cam Lock

OPTIONAL ACCESSORIES

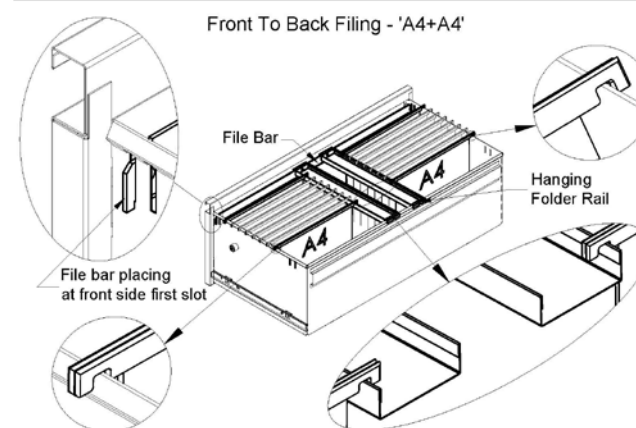
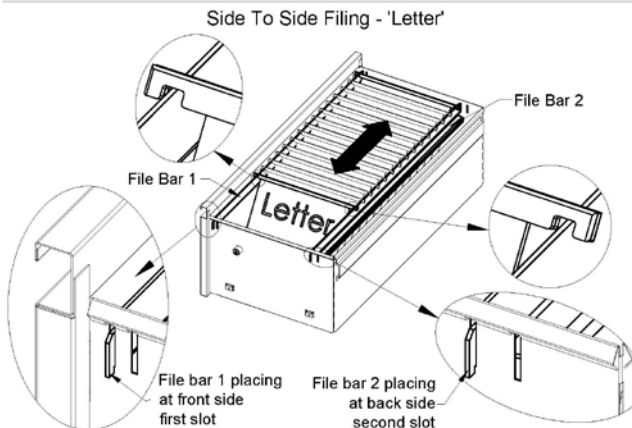
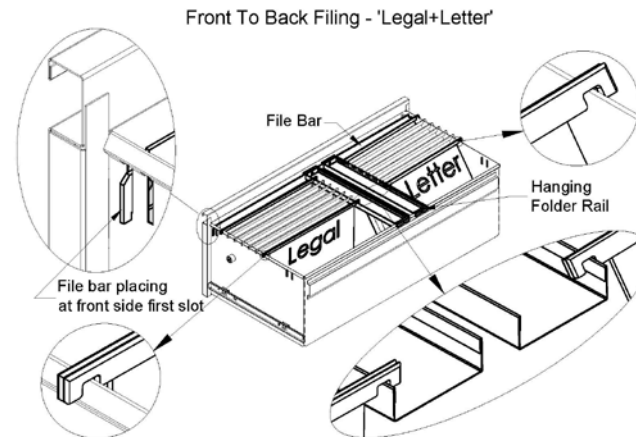
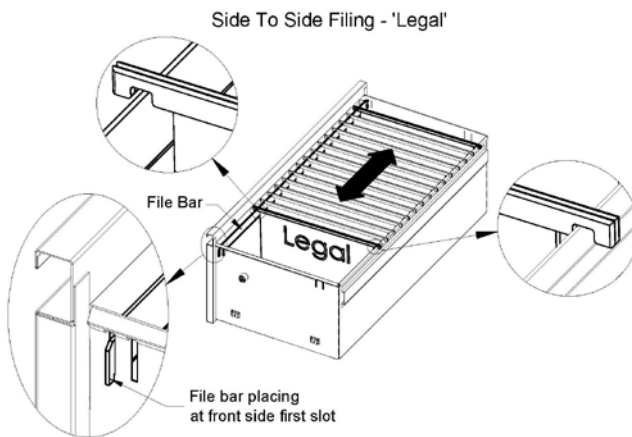


PVC Label Holder



Levelling Guide

LFC Filing Arrangements



Godrej & Khimji

Swing Door Storage Cupboard

A concealed storage solution is provided with our swing door cupboards.

These cupboards are economical on space and are designed for maximum storage capacity.

The cupboards can be used for several purposes and are built from durable components to withstand frequent use.

The swing door storage cupboard has been tested for strength, durability, stability and function to meet Australian / New Zealand Standards AS / NZS 4790 and British Standards BS 4875-7 and BS 4875-8.



Certified in 2006
in UK



Certified in 2008
in AUSTRALIA





Swing Door Storage Cupboard

HHC 1

Half height cupboard with 1 adjustable shelf

Model	Height	Width	Depth
HHC 1	914 (36.0")	914 (36.0")	463 (18.2")
	800 (31.5")	914 (36.0")	463 (18.2")
HHC 2 SPL	1,016 (40.0")	914 (36.0")	463 (18.2")
	1,200 (47.2")	900 (35.4")	450 (17.7")

HALF HEIGHT

with 1 adjustable shelf and with 180-degree door openings.

HHC 1 (FOD)	1,016 (40.0")	916 (36.0")	458 (18.0")
-------------	---------------	-------------	-------------

FULL HEIGHT CUPBOARD

with 4 adjustable shelves and with 180-degree door openings.

FHC 4 (FOD)	1,830 (72.0")	916 (36.0")	458 (18.0")
	1,950 (76.8")	916 (36.0")	458 (18.0")
	1,830 (72.0")	915 (36.0")	421 (16.6")
	1,950 (76.8")	915 (36.0")	421 (16.6")
	1,950 (76.8")	1,000 (39.4")	500 (19.7")

FHC 4

Full height cupboard with 4 adjustable shelves

Model	Height	Width	Depth
FHC 4	1,830 (72.0")	914 (36.0")	406 (16.0")
	1,830 (72.0")	914 (36.0")	463 (18.2")
FHC 4 SPL	1,950 (76.8")	914 (36.0")	463 (18.2")
	2,000 (78.7")	1,000 (39.4")	500 (19.7")

FHC 4 without door

Full height cupboard with 4 adjustable shelves and without doors

FHC 4 WO/D	1,830 (72.0")	914 (36.0")	463 (18.2")
------------	---------------	-------------	-------------

FHC 2 HR

Full height cupboard with 2 adjustable shelves and one hanging rod.

FHC 2 HR	1,830 (72.0")	914 (36.0")	463 (18.2")
----------	---------------	-------------	-------------

Measurements are in millimeters (approx. inches)



Swing Door Storage Cupboard

FHC FP 3 HL HHR MRF

Full height cupboard with full centre partition, 3 adjustable half shelves, full length mirror frame [1524(60.0") x 305 (15.0")], half locker and one half hanging rod.

Model	Height	Width	Depth
FHC FP 3 HL HHR MRF	1,830 (72.0")	914 (36.0")	463 (18.2")

FHC FP3/4 HL HHR

Full height cupboard with full centre partition, adjustable half shelves, one half locker and one half hanging rod

FHC FP 3/4 HL HHR	1,830 (72.0")	914 (36.0")	463 (18.2")
	2,000 (78.7")	1,000 (39.4")	500 (19.7")

FHC PW FP 4 HHR IRD MRF WM

Full height cupboard with full centre partition, 4 adjustable half shelves, mirror frame [242 (9.5") x 162 (6.4")] with mirror on the inside of the right door and one half hanging rod

FHC PW FP 4 HHR IRD MRF WM	1,830 (72.0")	914 (36.0")	463 (18.2")
----------------------------	---------------	-------------	-------------

FHC FS HP 3 HHR

Full height cupboard with one fixed shelf at the top, centre partition below the fixed shelf, 3 adjustable half shelves and one half hanging rod

FHC FS HP 3 HHR	1,830 (72.0")	914 (36.0")	463 (18.2")
-----------------	---------------	-------------	-------------

FHC FS2 HP3 HHR SPL

Full height cupboard with center partition between the 2 fixed shelves and with one hanging rod on right side and three adjustable half shelves on left side and perforations on top and bottom of the doors on each corner. Latch lock for a pad locking purpose with three way locking mechanism.

Model	Height	Width	Depth
FHC FS2 HP3 HHR SPL	2,000 (78.7")	1,000 (39.4")	500 (19.7")

FHC FP HL3 HHR2

Full height cupboard with full center partition, two half lockers and one hanging rod on the right side and one-half locker and one hanging rod on the left side.

FHC FP HL3 HHR2	1,500 (59.1")	900 (35.4")	500 (19.7")
-----------------	---------------	-------------	-------------

FHC FS HP3 HL HHR MRF WM

Full height cupboard with one fixed shelf at the top, center partition below the fixed shelf, three adjustable half shelves mirror frame (610X305mm) and mirror on the out side of the left door, half locker with lock and one hanging rod.

FHC FS HP3 HL HHR MRF WM	1,830 (72.0")	914 (36.0")	463 (18.2")
--------------------------	---------------	-------------	-------------

Measurements are in millimeters (approx. inches)

Swing Door Storage Cupboard



HHC 1



FHC 4



FHC FP 3/4 HL HHR



Swing Door Storage Cupboard

FHC FS HP 3 HL HHR

Full height cupboard with one fixed shelf at the top, centre partition below the fixed shelf, 3 adjustable half shelves, one half locker on the right side and one half hanging rod

Model	Height	Width	Depth
FHC FS HP 3 HL HHR	1,830 (72.0")	914 (36.0")	463 (18.2")

FHC FS HP 3 ED HHR

Full height cupboard with 1 fixed shelf at the top, centre partition below the fixed shelf, 3 adjustable half shelves, one full extension half drawer on ball bearing slides with lock and one half hanging rod

FHC FS HP 3 ED HHR	1,830 (72.0")	914 (36.0")	463 (18.2")
--------------------	---------------	-------------	-------------

FHC FP 3 HL HHR ILD MRF WM

Full height cupboard with 3 adjustable half shelves, mirror frame [610 (24.0") x 260 (10.2")] with mirror on the inside of the left door, full center partition, half locker and one half hanging rod.

FHC FP 3 HL HHR ILD MRF WM	1,830 (72.0")	914 (36.0")	545 (21.4")
----------------------------	---------------	-------------	-------------

OPEN STORAGE CUPBOARD

Sl. No.	Description	Model	Height	Width	Depth
1	Full height cupboard with 3 adjustable shelves and without doors	FHC 3 WO/D	1,500 (59.1")	914 (36.0")	463 (18.2")
2	Full height cupboard with 4 adjustable shelves and without doors	FHC 4 WO/D	1,950 (76.8")	914 (36.0")	463 (18.2")

FHC FSB HP 1 HL HHR

Full height cupboard with 1 fixed shelf at the top, centre partition below the fixed shelf, 1 fixed half shelf at the bottom, one half locker on the left side and one half hanging rod on the right side and with one metal handle and with three way locking mechanism with one lock or with one latch lock for pad locking purpose

Model	Height	Width	Depth
FHC FSB HP 1 HL HHR	1,980 (78.0")	755 (29.7")	500 (19.7")

FHC 2 HG + HS SWD

Full height four doors cupboard with 2 adjustable shelves and with glass swing doors at the top and steel swing doors at the bottom

FHC 2 HG + HS SWD	1,830 (72.0")	914 (36.0")	463 (18.2")
-------------------	---------------	-------------	-------------

FHC 4 FG SWD

Full height glass swing door cupboard with 4 adjustable shelves

FHC 4 FG SWD	1,830 (72.0")	914 (36.0")	463 (18.2")
--------------	---------------	-------------	-------------

Measurements are in millimeters (approx. inches)

Swing Door Storage Cupboard



FHC FS HP3 ED HHR



FHC FSB HP 1 HL HHR



FHC 2 HG + HS SWD



FHC 4 FG SWD

Swing Door Storage Cupboard



FHC 4 FOD



FHC 4 FOD

Swing Door Storage Cupboard



FHC 4 (WITH NUMERIC LOCK)



FHC 4 (WO/D)



FHC FS2 HP3 HHR SPL

KEY FEATURES



- Limited Lifetime warranty as per clause.
- Plain shelf / Dual purpose shelf / Lateral rail.
- Dual purpose shelf can be used as a standard shelf and also for suspending files.
- Lateral rails can be utilized for suspending files.
- Each shelf is placed on five retaining clips, thereby providing additional rigidity and support.
- Adjustable shelves at 32 mm pitch (1.3"), for convenient storage.
- Uniformly distributed load of 30 kg per shelf.
- Swing doors are secured by a 3 way bolting device and a recessed handle cum lock.
- Doors are fitted with heavy duty invisible hinges for security and prevention of tampering from the outside. Internal hinges also enhance the appearance of the cupboard.
- Doors are reinforced internally for extra strength.
- Multiple bend construction, thereby imparting greater rigidity and strength.
- Formed steel legs with height of 100 mm (3.9") can also be provided.
- Core removable locks can be provided on request.
- Master keys can be supplied for locks.
- Locks have 1,000 / 3,000 combinations.
- Plastic key caps are 99% anti bacterial.
- Mirror frame can be provided on the internal or external part of the door.
- Sloping top can be provided for standard dimensions of the cupboard (914 w x 463 d mm).
- Security bar can be provided for each cupboard for additional protection.
- PVC label holder can be supplied on request for each door.
- Leveler can also be provided for height adjustment
- 4 mm tempered glass can be provided on request.
- Swing door cupboards are packed in completely knocked down condition.
- Cupboards can also be 100% factory built and shipped fully assembled.
- Thicker gauges of steel can be offered.
- Fastener free assembly ensures quick assembly without the use of screws or rivets.

LOCK OPTIONS



Recessed Handle
cum Cam Lock (A)



Recessed Handle
cum Cam Lock (B)



Recessed Handle
cum Cam Square cut Lock (C)

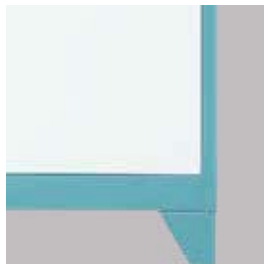


Numeric Lock



Latch Lock

OPTIONAL ACCESSORIES



Formed Steel Legs
100 mm height
150 mm height



Sloping Top



Security Bar
with Padlock



Leveler and gusset

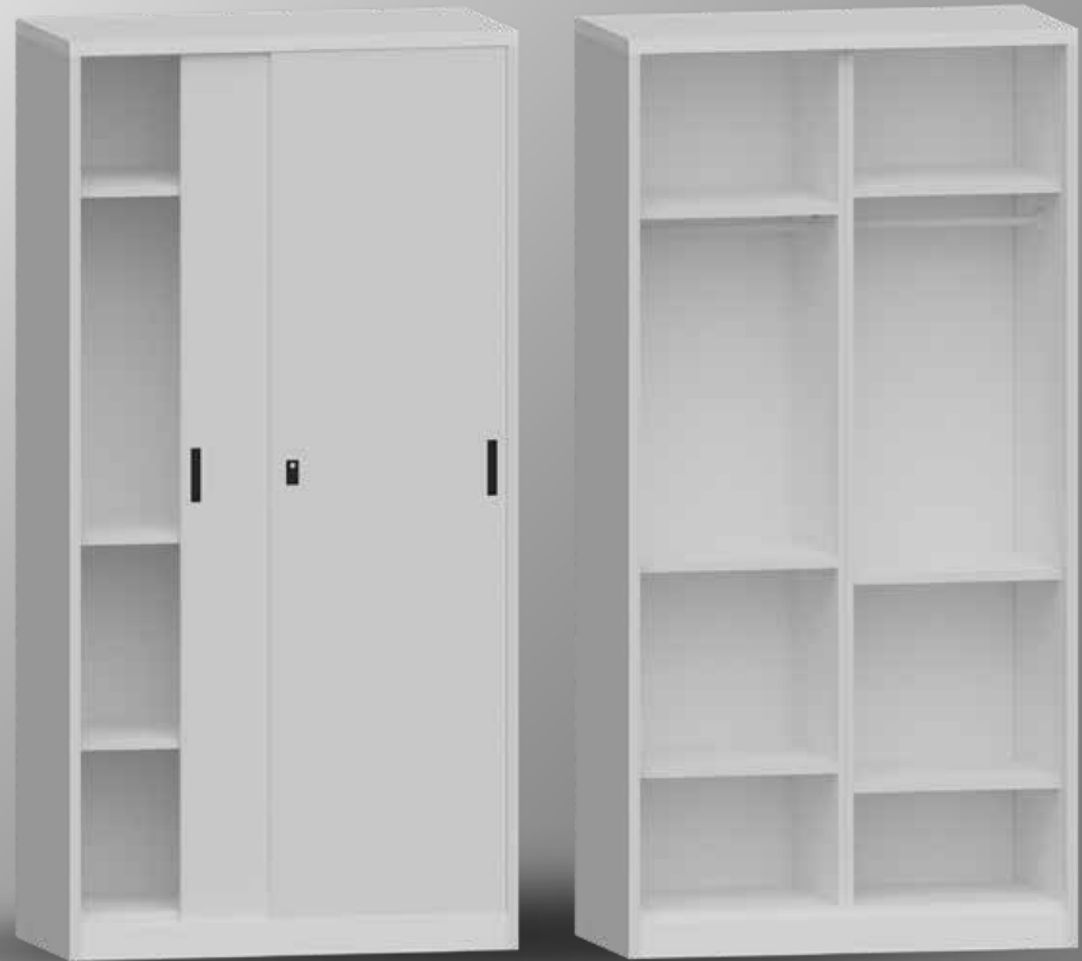


Godrej & Khimji

Sliding Door Storage Cupboard

In tight spaces, where hinged doors are inconvenient, sliding door cupboards provide easy access for storage of items.

This cupboard is a versatile unit which can blend into any office space as per individual requirements.







Sliding Door Storage Cupboard

HSSD 1 / HSSD 2 SPL

Half height steel sliding door cupboard with 1 / 2 adjustable shelves

Model	Height	Width	Depth
HSSD 1	914 (36.0")	914 (36.0")	463 (18.2")
HSSD 2 SPL	1,016 (40.0")	914 (36.0")	463 (18.2")
	1,000 (39.4")	1,200 (47.2")	463 (18.2")

HGSD 1 / HGSD 2 SPL

Half height glass sliding door cupboard with 1 / 2 adjustable shelves

HGSD 1	914 (36.0")	914 (36.0")	463 (18.2")
HGSD 2 SPL	1,016 (40.0")	914 (36.0")	463 (18.2")
	1,000 (39.4")	1,200 (47.2")	463 (18.2")

FSSD 4 / FSSD 4 SPL

Full height steel sliding door cupboard with 4 adjustable shelves

FSSD 4	1,830 (72.0")	914 (36.0")	463 (18.2")
FSSD 4 SPL	2,000 (78.7")	914 (36.0")	463 (18.2")
	2,000 (78.7")	1,200 (47.2")	463 (18.2")

FGSD 4 / FGSD 4 SPL

Full height glass sliding door cupboard with 4 adjustable shelves

FGSD 4	1,830 (72.0")	914 (36.0")	463 (18.2")
FGSD 4 SPL	2,000 (78.7")	914 (36.0")	463 (18.2")
	2,000 (78.7")	1,200 (47.2")	463 (18.2")

FGSSD 2 HG +HS

Full height four doors cupboard with glass sliding doors at the top and steel sliding doors at the bottom and with 2 adjustable shelves

Model	Height	Width	Depth
FGSSD 2 HG +HS	1,830 (72.0")	914 (36.0")	463 (18.2")

FGSSD 2 HS + HG

Full height four doors cupboard with steel sliding doors at the top and glass sliding doors at the bottom and with 2 adjustable shelves

FGSSD 2 HS + HG	1,830 (72.0")	914 (36.0")	463 (18.2")
-----------------	---------------	-------------	-------------

FGSSD 2 HG + HG

Full height four doors cupboard with glass sliding doors at the top and at the bottom and with 2 adjustable shelves

FGSSD 2 HG + HG	1,830 (72.0")	914 (36.0")	463 (18.2")
-----------------	---------------	-------------	-------------

FSSSD 2 HS + HS

Full height four doors cupboard with steel sliding doors at the top and at the bottom and with 2 adjustable shelves

FSSSD 2 HS + HS	1,830 (72.0")	914 (36.0")	463 (18.2")
-----------------	---------------	-------------	-------------

FSSD FP6 HHR2

Full height steel sliding door cupboard with full partition, 2 half adjustable shelves at the top, 2 half hanging rod below the adjustable shelves, 4 half adjustable shelves at the bottom

FSSD FP6 HHR2	1,830 (72.0")	914 (36.0")	463 (18.2")
---------------	---------------	-------------	-------------

Measurements are in millimeters (approx. inches)

Sliding Door Storage Cupboard



HGSD 1



FGSD 4



FSSD 4



FGSSD 2 HG + HS

KEY FEATURES



- Limited Lifetime warranty as per clause.
- Each shelf is placed on five retaining clips, thereby providing additional rigidity and support.
- Door is provided with a hook type lock.
- Doors are reinforced internally for extra strength.
- Acrylic can be provided in lieu of glass.
- Leveler can also be provided for height adjustment
- 4 mm tempered glass can be provided on request.
- 3 mm normal glass offered for all glass sliding door cupboard.
- Adjustable shelves at 32 mm pitch (1.3"), for convenient storage.
- Uniformly distributed load of 30 kg per shelf (914 mm width) and 40 kg per shelf (1,200 mm width).
- Multiple bend construction, thereby imparting greater rigidity and strength.
- Master keys can be supplied for locks.
- Locks have 150 / 1,000 combinations.
- For locks with 1,000 combinations, plastic key caps are 99% antibacterial.
- Single point locking mechanism.
- Sliding door cupboards are packed in completely knocked down condition.
- Cupboards can also be 100% factory built and shipped fully assembled.
- Thicker gauges of steel can be offered.



LOCK OPTIONS



Hook Type Lock (A)



Hook Type Lock (B)

OPTIONAL ACCESSORY



Leveler and Gusset

Godrej & Khimji

Tambour Door Storage Cupboard

The tambour door cupboard is a popular choice when complete access is required and designated storage areas are tight on space. These shutters offer a durable solution for all your storage requirements.

The design is elegant where the tambour door itself retracts fully into the cupboard to provide easy and quiet operation while maintaining optimum rigidity.

A range of internals is also available.







Tambour door Storage Cupboard

LHTDC 1

Low height tambour door cupboard with 1 adjustable shelf

Model	Height	Width	Depth
LHTDC 1	690 (27.2")	900 (35.4")	470 (18.5")
	690 (27.2")	1,200 (47.2")	470 (18.5")

HHTDC 2

Half height tambour door cupboard with 2 adjustable shelves

Model	Height	Width	Depth
HHTDC 2	1,010 (39.8")	900 (35.4")	470 (18.5")
	1,010 (39.8")	1,200 (47.2")	470 (18.5")

FHTDC 4

Full height tambour door cupboard with 4 adjustable shelves

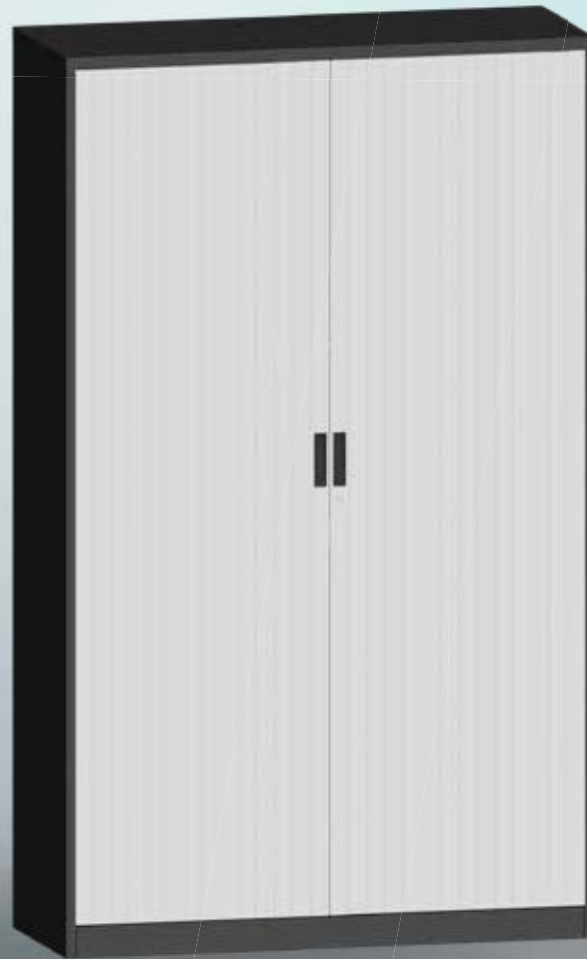
Model	Height	Width	Depth
FHTDC 4	2,000 (78.7")	900 (35.4")	470 (18.5")
	2,000 (78.7")	1,200 (47.2")	470 (18.5")

Heights shown above are without levelling glides.
Measurements are in millimeters (approx. inches)

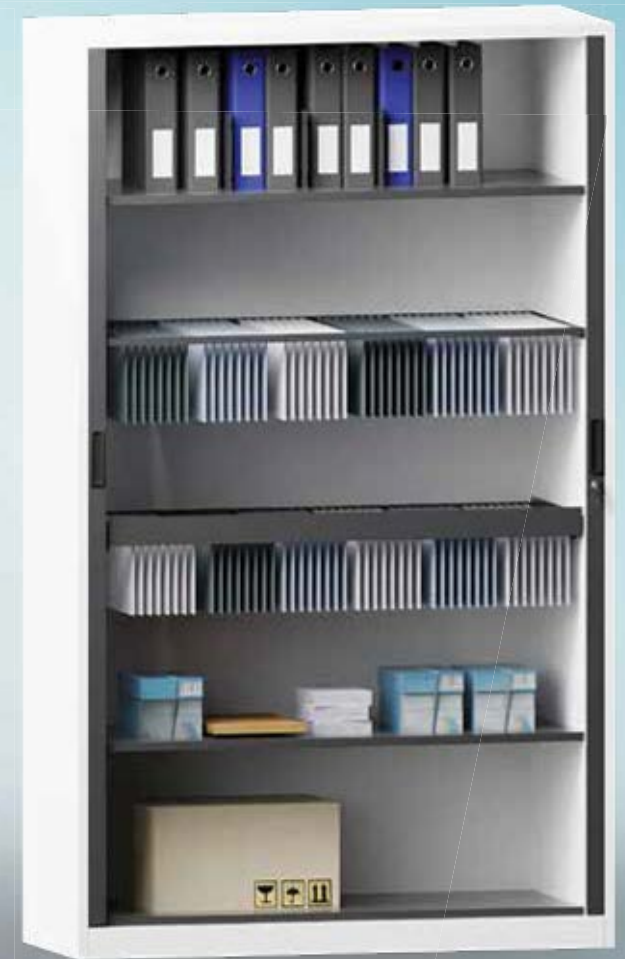
Tambour Door Storage Cupboard



LHTDC 1 / HHTDC 2



FHTDC 4



FHTDC 4



KEY FEATURES

- Limited Lifetime warranty as per clause.
- Shutters tested for 160,000 cycles.
- Plain shelf / Dual purpose shelf / Lateral rail.
- Dual purpose shelf can be used as a standard shelf and also for suspending files.
- Lateral rails can be utilized for suspending files.
- Each shelf is placed on five retaining clips, thereby providing additional rigidity and support.
- Adjustable shelves at 25 mm pitch (1.0"), for convenient storage.
- Planter boxes, with a height of 210 mm, can be provided for widths of 900 mm and 1,200 mm.
- Uniformly distributed load of 30 kg per shelf.
- For uneven floor surfaces and for floor protection, levelling swivel glides are included at the bottom of the cabinet, at the four corners, to allow for adjustment from the interior of the cupboard.
- Tambour doors consist of rigid PVC shutters with dynamic flexible hinges.
- Tambour doors can be supplied in white, black and translucent colours.
- Multiple bend construction, thereby imparting greater rigidity and strength.
- Core removable locks can be provided on request.
- Master keys can be supplied for locks.
- Locks have 1,000 / 3,000 combinations.
- Plastic key caps are 99% anti bacterial.
- Tambour door cupboards are packed in completely knocked down condition.
- Cupboards can also be 100% factory built and shipped fully assembled.
- Thicker gauges of steel can be offered.

LOCK OPTION



Cam Lock

**OPTIONAL
ACCESSORY**



Swivel Type Leveller



Godrej & Khimji

Locker Cabinet

Modern ventilation concepts and a variety of locking systems define the locker cabinets manufactured at Godrej and Khimji.

These locker cabinets provide a functional solution for securing personal storage in offices, factories, schools, universities, health and fitness clubs and other commercial premises.

The range incorporates a combination of modules with a choice of single, two, three, four, five and six door compartments.

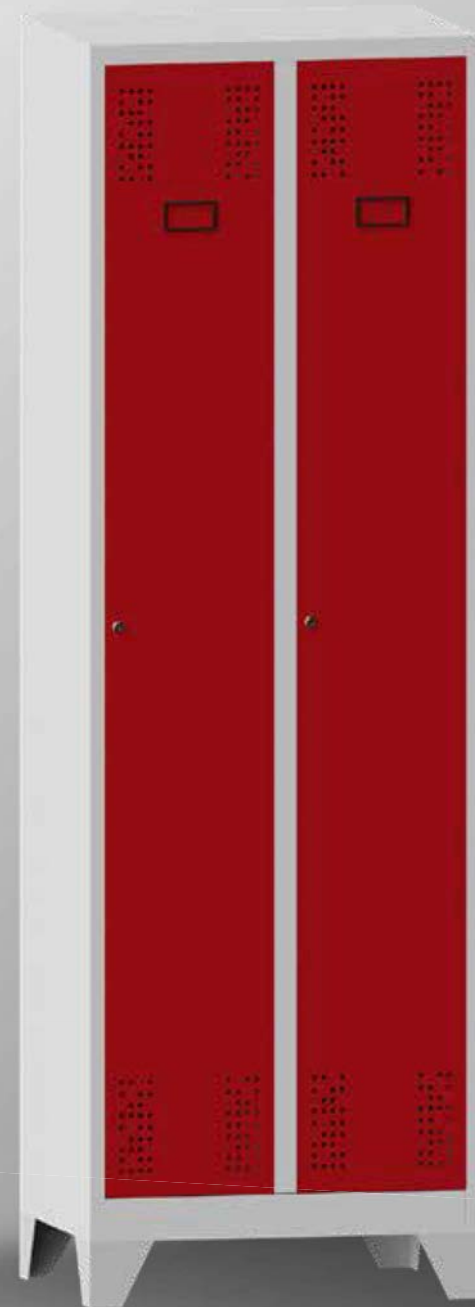
The locker cabinet has been tested for strength, durability, stability and function to meet Australian / New Zealand Standards AS/NZS 4790 and British Standards BS 4680.



Certified in 2008
in UK



Certified in 2008
in AUSTRALIA





Locker Cabinet



LC 1 / LC 1 SPL

One compartment locker cabinet with one shelf and one hanging rod

LC 1	1,830 (72.0")	380 (15.0")	457 (18.0")
LC 1 SPL	1,830 (72.0")	380 (15.0")	500 (19.7")
	1,830 (72.0")	305 (12.0")	305 (12.0")
	1,830 (72.0")	305 (12.0")	457 (18.0")
	1,830 (72.0")	305 (12.0")	500 (19.7")
	1,830 (72.0")	457 (18.0")	457 (18.0")
	1,830 (72.0")	457 (18.0")	600 (23.6")
	1,830 (72.0")	400 (15.7")	500 (19.7")
	1,830 (72.0")	500 (19.7")	500 (19.7")
	1,830 (72.0")	760 (29.9")	457 (18.0")
	1,800 (70.9")	300 (11.8")	500 (19.7")
	1,800 (70.9")	400 (15.7")	500 (19.7")
	1,800 (70.9")	450 (17.7")	500 (19.7")
	1,800 (70.9")	500 (19.7")	600 (23.6")
	1,900 (74.8")	457 (18.0")	457 (18.0")

LC 1 ES / LC 1 ES SPL

One compartment locker cabinet with two fixed shelves and one hanging rod

Model	Height	Width	Depth
LC 1 ES	1,830 (72.0")	380 (15.0")	457 (18.0")
LC 1 ES SPL	875 (34.4")	400 (15.7")	400 (15.7")
	1,830 (72.0")	305 (12.0")	305 (12.0")
	1,830 (72.0")	305 (12.0")	457 (18.0")
	1,830 (72.0")	457 (18.0")	457 (18.0")
	2,000 (78.7")	380 (15.0")	457 (18.0")
	2,000 (78.7")	600 (23.6")	600 (23.5")

LC 2 / LC 2 SPL

Two compartment locker cabinet with one hanging rod in each compartment

Model	Height	Width	Depth
LC 2	1,830 (72.0")	380 (15.0")	457 (18.0")
LC 2 SPL	914 (36.0")	305 (12.0")	380 (15.0")
	1,200 (47.2")	340 (13.4")	457 (18.0")
	1,830 (72.0")	305 (12.0")	305 (12.0")
	1,830 (72.0")	305 (12.0")	457 (18.0")
	1,830 (72.0")	380 (15.0")	500 (19.7")
	1,830 (72.0")	457 (18.0")	457 (18.0")
	1,830 (72.0")	500 (19.7")	900 (35.4")
	1,800 (70.9")	400 (15.7")	450 (17.7")

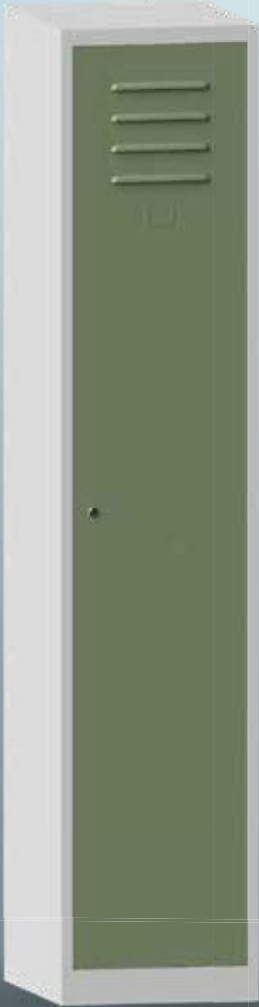
LC 2 ES / LC 2 ES SPL

Two compartment locker cabinet with one fixed shelf and one hanging rod in each compartment

LC 2 ES	1,830 (72.0")	380 (15.0")	457 (18.0")
LC 2 ES SPL	1,500 (59.1")	380 (15.0")	457 (18.0")
	1,830 (72.0")	305 (12.0")	457 (18.0")
	1,830 (72.0")	457 (18.0")	457 (18.0")
	2,000 (78.7")	600 (23.6")	600 (23.6")

Measurements are in millimeters (approx. inches)

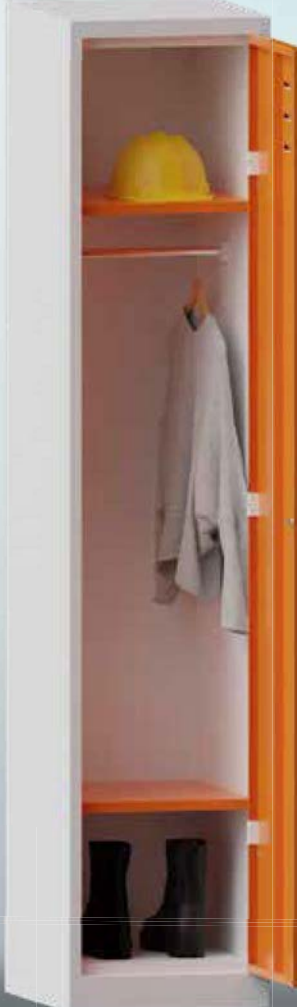
Locker Cabinet



LC 1



LC 1



LC 1 ES



LC 2



LC 2 ES

Locker Cabinet

'Z' LC 2

'Z' type two door locker cabinet

Model	Height	Width	Depth
'Z' LC 2	1,830 (72.0")	380 (15.0")	457 (18.0")
	1,830 (72.0")	380 (15.0")	500 (19.7")

LC 3 / LC 3 SPL

Three compartment locker cabinet

LC 3	1,830 (72.0")	380 (15.0")	457 (18.0")
LC 3 SPL	1,200 (47.2")	408 (16.0")	460 (18.1")
	1,398 (55.0")	380 (15.0")	457 (18.0")
	1,830 (72.0")	305 (12.0")	305 (12.0")
	1,830 (72.0")	305 (12.0")	457 (18.0")
	1,830 (72.0")	305 (12.0")	500 (19.7")
	1,830 (72.0")	457 (18.0")	457 (18.0")
	2,000 (78.7")	500 (19.7")	600 (23.6")
	2,090 (82.3")	500 (19.7")	600 (23.6")

LC 4 / LC 4 SPL

Four compartment locker cabinet

LC 4	1,830 (72.0")	380 (15.0")	457 (18.0")
LC 4 SPL	1,255 (49.4")	380 (15.0")	457 (18.0")
	1,830 (72.0")	305 (12.0")	305 (12.0")
	1,830 (72.0")	305 (12.0")	457 (18.0")
	1,830 (72.0")	457 (18.0")	457 (18.0")
	1,800 (70.9")	300 (11.8")	500 (19.7")
	1,800 (70.9")	400 (15.7")	500 (19.7")
	1,800 (70.9")	450 (17.7")	500 (19.7")



LC 5 / LC 5 SPL

Five compartment locker cabinet

Model	Height	Width	Depth
LC 5	1,830 (72.0")	380 (15.0")	457 (18.0")
LC 5 SPL	1,830 (72.0")	305 (12.0")	305 (12.0")
	1,830 (72.0")	305 (12.0")	457 (18.0")
	1,830 (72.0")	305 (12.0")	500 (19.7")
	1,830 (72.0")	457 (18.0")	457 (18.0")

LC 6 / LC 6 SPL

Six compartment locker cabinet

LC 6	1,830 (72.0")	380 (15.0")	457 (18.0")
LC 6 SPL	1,830 (72.0")	305 (12.0")	305 (12.0")
	1,830 (72.0")	305 (12.0")	457 (18.0")
	1,830 (72.0")	457 (18.0")	457 (18.0")

Measurements are in millimeters (approx. inches)

Locker Cabinet



ZLC 2



LC 3



LC 4



LC 5



LC 6

Locker Cabinet



LC 1 SPT PD

One compartment locker cabinet with one shelf and one hanging rod and with perforations [4.5 (0.18") diameter or 16.0 (0.63") square] along the entire door.

Model	Height	Width	Depth
LC 1 SPT PD	1,830 (72.0")	380 (15.0")	457 (18.0")

LC 1 FS 1 HP3 HHR 1

One compartment locker cabinet with 1 fixed shelf at the top, centre partition below the fixed shelf and with one hanging rod on right side and 3 half shelves on the left side and with perforated holes at the top and bottom.

LC 1 FS 1 HP3 HHR 1	1,800 (70.9")	450 (17.7")	500 (19.7")
------------------------	---------------	-------------	-------------

LC 1 FS 1 HP HHR2

One compartment locker cabinet with 1 fixed shelf at the top, centre partition below the fixed shelf and with one hanging rod on right side and one hanging rod one left side and with perforated holes at the top and bottom.

LC 1 FS 1 HP HHR 2	1,800 (70.9")	400 (15.7")	500 (19.7")
-----------------------	---------------	-------------	-------------

LC 1 FS 2 HP 3 HHR

One compartment locker cabinet with centre partition between the 2 fixed shelves and with one hanging rod on right side and 3 half fixed shelves on the left side.

LC 1 FS 2 HP 3 HHR	1,830 (72.0")	457 (18.0")	457 (18.0")
-----------------------	---------------	-------------	-------------

LC 1 F8 SPL

One compartment locker cabinet with full centre partition and with eight fixed half shelves and with louvers and card holder.

LC 1 F8 SPL	1,830 (72.0")	457 (18.0")	457 (18.0")
-------------	---------------	-------------	-------------

LC 1 FS 1 HP 3 HHR

One compartment locker cabinet with 1 fixed shelf at the top, centre partition below the fixed shelf and with one hanging rod on right side and 3 half shelves on the left side and with perforated holes at the top and bottom and with a PVC label holder.

Model	Height	Width	Depth
LC 1 FS 1 HP 3 HHR	1,830 (72.0")	600 (23.6")	457 (18.0")

LC 1 ES 4

One compartment locker cabinet with 4 adjustable shelves and with three way locking mechanism, but without louvers and card holder.

LC 1 ES 4	1,830 (72.0")	600 (23.6")	457 (18.0")
-----------	---------------	-------------	-------------

LC 1 ES x 2 MRF WM 2 SPL

Two single compartment locker cabinet with four fixed shelves, two hanging rods, mirror frame [250 (9.8") x 200 (7.9")] with mirror on the outside of each door, three way locking mechanism, PVC label holder on each door and doors opening clock wise and anti clock wise.

LC 1 ES x 2 MRF WM 2 SPL	2,100 (82.6")	457+457 (18.0+18.0")	480 (18.9")
-----------------------------	---------------	-------------------------	-------------

LC 4 ES 4

Four compartment locker cabinet with 4 adjustable shelves and with perforated doors and with PVC card holder.

LC 4 ES 4	2,000 (78.7")	500 (19.7")	500 (19.7")
-----------	---------------	-------------	-------------

Measurements are in millimeters (approx. inches)

Locker Cabinet



LC 1 FS 2 HP 3 HHR



LC 1 ES x 2 MRF WM 2 SPL



LC 1 ES 4



LC 1X3 - JOINED TOGETHER WITH RIVETS



Locker Cabinet Cluster Formation

CT LC 1 x 2

2 units single compartment locker cabinets joined together with common top, common side, common back and common bottom.

Model	Height	Width	Depth
CT LC 1 x 2	1,830 (72.0")	610 (24.0")	457 (18.0")

CT LC 1 SPL x 2

2 units single compartment locker cabinets joined together with common top, common side, common back and common bottom.

CT LC 1 SPL x 2	1,830 (72.0")	610 (24.0")	500 (19.7")
-----------------	---------------	-------------	-------------

CT LC 2 x 2

2 units two compartment locker cabinets joined together with common top, common side, common back and common bottom.

CT LC 2 x 2	1,830 (72.0")	610 (24.0")	457 (18.0")
-------------	---------------	-------------	-------------

CT LC 2 SPL x 2

2 units two compartment locker cabinets joined together with common top, common side, common back and common bottom.

CT LC 2 SPL x 2	1,830 (72.0")	610 (24.0")	500 (19.7")
-----------------	---------------	-------------	-------------

LC 4 x 2

2 units four compartment locker cabinets joined together with rivets.

Model	Height	Width	Depth
LC 4 x 2	1,830 (72.0")	610 (24.0")	457 (18.0")

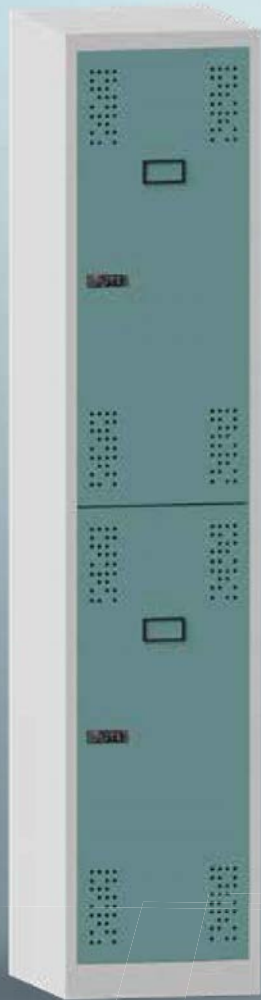
LC 6 x 2

2 units six compartment locker cabinets joined together with rivets.

LC 6 x 2	1,830 (72.0")	610 (24.0")	457 (18.0")
----------	---------------	-------------	-------------

Measurements are in millimeters (approx. inches)

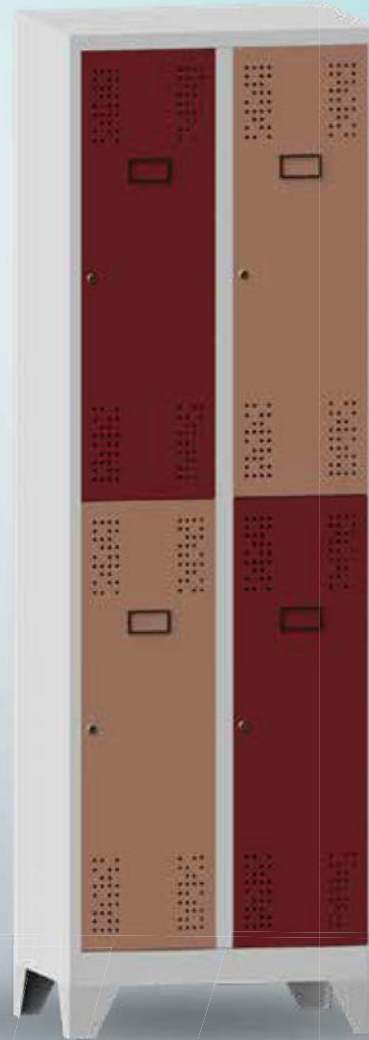
Locker Cabinet



LC 2
(WITH DIGITAL LOCK)



LC 4
(WITH DIGITAL LOCK)



CT LC 2 SL X2



CT LC 2X2
(WITH NUMERIC LOCK)

Locker Cabinet



LC 4 / LC 4 SPL (WITH CAM / LATCH LOCK)



LC 1 FS1 HP3 HHR 1 (WITH CAM / LATCH LOCK)

Locker Cabinet



LC 1 FS 1 HP HHR 2 (WITH CAM / LATCH LOCK)



LC 1 / LC 1 SPL (WITH CAM / LATCH LOCK)

KEY FEATURES



- Limited Lifetime warranty as per clause.
- Standard locker cabinets are also available in widths of 305 mm (12.0") and 457 mm (18.0") and depths of 305 mm (12.0") and 457 mm (18.0").
- Door is provided with ventilation louvres / cluster holes, a label holder and a cam lock.
- Doors are fitted with heavy duty invisible hinges for security and prevention of tampering from the outside. Internal hinges also enhance the appearance of the locker cabinet.
- Doors are reinforced internally for extra strength.
- Doors are fitted with PVC bangers for quiet operation.
- Sloping top can be provided for standard dimensions of the locker cabinet (380 (15.0") w x 457 (18.0") d mm).
- Formed steel legs with height of 100 mm (3.9") can also be provided.
- Locker cabinets can function independently as stand alone units or as a multi unit configuration.
- Core removable locks can be provided on request.
- Master keys can be supplied for locks.
- Locks have 2,000 / 3,000 combinations (utilizing two keyways in each series).
- Plastic key caps are 99% anti bacterial.
- Ganging provisions and hole plug can be incorporated on side panels for joining purpose with screws and nuts or rivets
- Ganging provisions can be incorporated on side panels for joining purpose.
- Locker cabinets are packed in completely knocked down condition.
- Cabinets can also be 100% factory built and shipped fully assembled.
- Thicker gauges of steel can be offered.
- Fastener free assembly ensures quick assembly without the use of screws or rivets.
- Thicker gauges of steel can be offered.

LOCK OPTIONS



Cam Lock



Latch Lock



Recessed Handle
cum Cam Lock

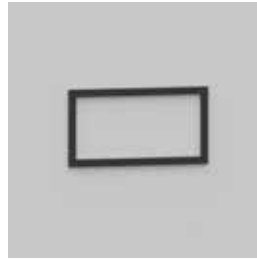


Numeric Lock



Rivet

OPTIONAL ACCESSORIES



PVC Label Holder



Formed Label Holder



Sloping Top



Mirror



Perforated Door



Formed Steel Legs
100 mm height
150 mm height



Hanger Rod



Screw and Nut



Hole Plug



Coat Hook



Adjustable Leveller

Godrej & Khimji

Mobile Pedestal

Stylish and sturdy, our mobile pedestal is aesthetically designed to provide compact storage and to fit in an office or home area.

The pedestal can easily roll under most work surfaces to conserve space. All drawers are mounted on double extension ball bearing slides which are smooth and easy to operate.

The drawers extend fully for convenient access to the whole drawer. The pedestal can accommodate legal / foolscap, A4 and letter size files with the use of a cradle, wherever necessary.

Five castors are provided for each pedestal which incorporates a filing drawer.







Mobile Pedestal

MP3 M1 PT SRH

Three drawers mobile pedestal (one filing drawer and two stationery drawers with a pencil tray in the first stationery drawer) with side recessed handles and with 5 castors.

Features	Height	Width	Depth
2 BOX +1 FILE LEGAL SIZE	613 (24.1")	460 (18.1")	472 (18.6")

MP3 M3 PT SRH

Three drawers mobile pedestal (one filing drawer and two stationery drawers with a pencil tray in the first stationery drawer) with side recessed handles and with 5 castors

2 BOX +1 FILE A4 SIZE	613 (24.1")	402 (15.8")	472 (18.6")
--------------------------	-------------	-------------	-------------

MP2 M4 SRH

Two drawers side recessed handle mobile pedestal (two filing drawers) and with two file bars in each drawer and with 5 castors for legal and letter size in the filing drawer.

2 FILES LETTER SIZE	730 (28.7")	380 (15.0")	472 (18.6")
------------------------	-------------	-------------	-------------

MP3 M2 PT SNH

Three drawers mobile pedestal (one filing drawer and two stationery drawers with a pencil tray in the first stationery drawer) with swan neck handles and with 5 castors.

Features	Height	Width	Depth
2 BOX +1 FILE A4 SIZE	608 (23.9")	405 (15.9")	457 (18.0")

Heights shown above are inclusive of castors with a height of 58 mm (2.3")
Measurements are in millimeters (approx. inches)

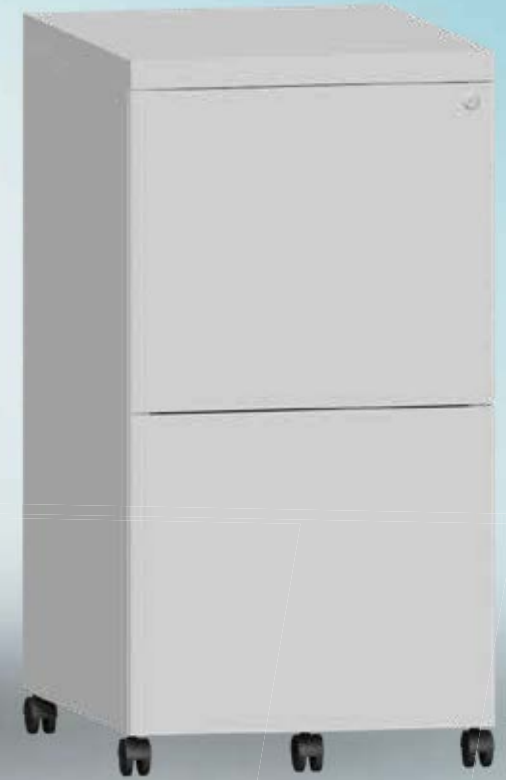
Mobile Pedestal



MP3 M1 PT SRH



MP3 M2 SNH



M2 M4 SRH



KEY FEATURES

- Limited Lifetime warranty as per clause.
- File drawers are suitable to store suspension files.
- User friendly sleek handles are provided on the side for a distinctive appearance or elegant swan neck recessed handles are incorporated on the front of each drawer.
- Top stationery drawer has one ABS plastic pencil tray in all Models except MP2 M4 SRH
- Full height drawer sides and back allow for additional storage capacity and added strength.
- Full extension drawers for convenient access to the whole drawer.
- Uniformly distributed load of 10 kg and 15 kg for each stationery drawer and filing drawer respectively.
- Product, with a filing drawer, has a fifth castor to prevent tipping and for stability on the filing drawer.
- Two castors fitted to the front corners are lockable.

- Central cam lock controlling all drawers.
- Core removable locks can be provided on request.
- Master keys can be supplied for locks.
- Locks have 1,000 / 3,000 combinations.
- Plastic key caps are 99% anti bacterial.
- Mobile pedestals are packed in completely built up condition or in completely knocked down condition and shipped accordingly.

LOCK OPTION



Cam Lock

OPTIONAL ACCESSORIES

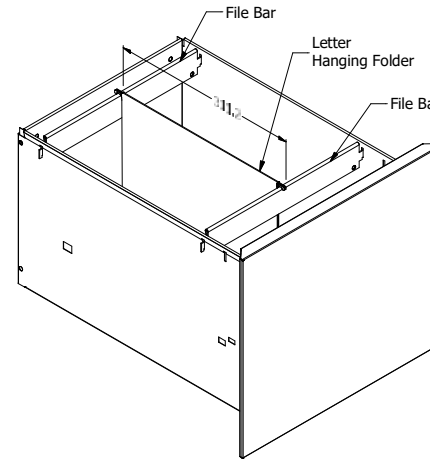


Pencil Tray

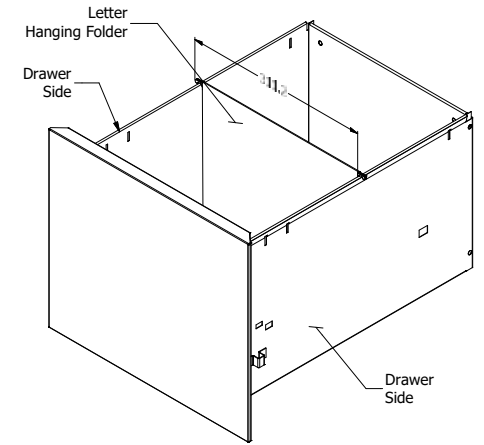


Handle

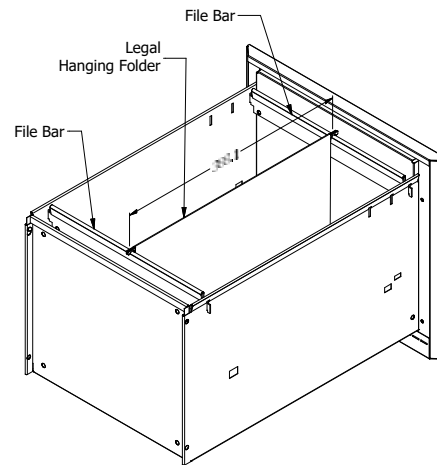
Pedestal Filing Arrangement



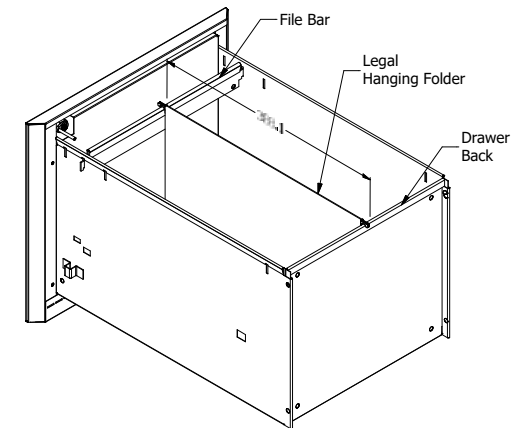
Letter File - Hangs on two file bars
(Side to Side arrangement)



Letter File - Hangs between drawer sides
(Front to Back arrangement)



Legal File - Hangs on two file bars - Lower drawer
(Side to Side arrangement)



Legal File - Hangs on one file bar & drawer back - Upper drawer
(Side to Side arrangement)



Godrej & Khimji

Light Weight Book Rack

Ample storage space is offered with our open type book racks for systematic organization of items in store rooms, utility rooms, shops and offices.

The open shelf design allows for easy access to shelf contents from any direction.

The open type book rack is an ideal storage unit for books in homes and offices.





Light Weight Book Rack



BOOK RACK

Model	Height	Length	Width
BR	1,830 (72.0")	900 (35.4")	300 (11.8")

Measurements are in millimeters (approx. inches)



KEY FEATURES

- Limited Lifetime warranty as per clause.
 - Add extra shelves and adjust shelves with ease.
 - Uniformly distributed load of 25 kg per shelf for book rack.
 - Two sets of bracings are bolted to the frame for each book rack.
 - Adjustable shelves at 32 mm pitch (1.3") for convenient storage in the book rack.
-
- Book racks are packed in completely knocked down condition.
 - Racks can also be 100% factory built and shipped fully assembled.

PACKING VOLUME (CKD) and PRODUCT DIMENSIONS



Sl. No.	Product	Packing Volume in CBM	Product Dimensions in mm		
			H	W	D

VERTICAL FILING CABINET

1	VFC 2 LES (Recessed/Swan neck) (including second carton)	0.08	710	395	620
2	VFC 3 LES (Recessed/Swan neck)	0.09	1,015	395	620
3	VFC 4 LES (Recessed/Swan neck)	0.12	1,320	395	620
4	VFC 5 LES (Recessed/Swan neck)	0.15	1,625	395	620
5	VFC 2 A4(Recessed/Swan neck) (including second carton)	0.08	710	415	620
6	VFC 3 A4 (Recessed/Swan neck)	0.09	1,015	415	620
7	VFC 4 A4 (Recessed/Swan neck)	0.12	1,320	415	620
8	VFC 5 A4 (Recessed/Swan neck)	0.15	1,625	415	620
9	VFC 2 LS/FS (Recessed/Swan neck/Formed handle) (including second carton)	0.08	710	470	620
10	VFC 3 LS/FS (Recessed/Swan neck/Formed handle)	0.09	1,015	470	620
11	VFC 4 LS/FS (Recessed/ Swan neck/Formed handle)	0.12	1,320	470	620
12	VFC 5 LS/FS (Recessed/Swan neck/Formed handle)	0.15	1,625	470	620
13	Separator for VFC legal / foolscap size		259	402	
14	Separator for VFC A4 size		259	347	
15	Separator for VFC letter size		259	312	

LATERAL FILING CABINET

1	LFC 2 (Recessed / Swan neck handle) (including second carton)	S	0.10	710	762	463
2		M	0.11	710	914	463
3		L	0.13	710	1,067	463
4	LFC 3 (Recessed / Swan neck handle) (including second carton)	S	0.13	1,015	762	463
5		M	0.15	1,015	914	463
6		L	0.16	1,015	1,067	463
7	LFC 4 (Recessed / Swan neck handle) (including second carton)	S	0.16	1,320	762	463
8		M	0.19	1,320	914	463
9		L	0.22	1,320	1,067	463
10	LFC 5 (Recessed / Swan neck handle) (including second carton)	S	0.20	1,625	762	463
11		M	0.23	1,625	914	463
12		L	0.27	1,625	1,067	463
13	LFC 4 M+FUD1 (Recessed / Swan neck handle) (including second carton)		0.23	1,625	914	463

Sl. No.	Product	Packing Volume in CBM	Product Dimensions in mm		
			H	W	D

SWING DOOR STORAGE CUPBOARD

1	HHC with 1 shelf	0.09	914	914	463
2	HHC with 2 shelves	0.09	914	914	463
3	HHC 1 and W/O doors	0.07	914	914	463
4	HHC 2 and W/O doors	0.07	914	914	463
5	HHC 1 SPL HT(1,016 mm)	0.11	1,016	914	463
6	HHC 2 SPL HT(1,016 mm)	0.11	1,016	914	463
7	FHC with 3 shelves	0.16	1,830	914	463
	FHC with 4 shelves	0.16	1,830	914	463
	FHC with 180 degree door openings and with 4 shelves	0.16	1,830	915	421
		0.16	1,830	916	458
0.17		1,950	915	421	
8	FHC with 4 shelves and W/O doors	0.13	1,830	914	463
9	FHC with 4 shelves special depth (406 mm)	0.15	1,830	914	406
10	FHC with 4 shelves special height (1,950 mm)	0.17	1,950	914	463
11	FHC with 4 shelves special height (2,000 mm)	0.19	2,000	1,000	500
	FHC with 180 degree door openings and with 4 shelves	0.19	1,950	1000	500
12	FHC with 2 shelves and hanging rod	0.16	1,830	914	463
13	FHC with 2 shelves and hanging rod, mirror frame on the door	0.16	1,830	914	463
14	FHC with full partition 4 half shelves, half hanging rod	0.16	1,830	914	463
15	FHC with fixed shelf, half centre partition, half locker, 3 half shelves, half hanging rod	0.16	1,830	914	463
16	FHC with full partition, 3 half shelves, half locker, half hanging rod, mirror frame on the door	0.16	1,830	914	463
17	FHC with full partition , 4 half shelves, half hanging rod, mirror frame on the door	0.16	1,830	914	463
18	FHC with fixed shelf, half partition, 2 half shelves, extension drawer, half hanging rod	0.16	1,830	914	463
19	Extra shelf for all models of cupboards			911	427
20	Extra half shelf for all models of cupboards			454	416
21	Mirror frame for FHC			1,524	305
22	Sloping top for FHC		280	914	463
23	Formed steel leg for all models of cupboards		100		

PACKING VOLUME (CKD) and PRODUCT DIMENSIONS



Sl. No.	Product	Packing Volume in CBM	Product Dimensions in mm		
			H	W	D

SLIDING DOOR STORAGE CUPBOARD

1	HSSD with 1 shelf	0.09	914	914	463
	HSSD with 2 shelves		914	914	463
2	HGSD with 1 shelf	0.09	914	914	463
	HGSD with 2 shelves		914	914	463
3	HGSD with 1 shelf SPL (1,016 h mm)	0.11	1,016	914	463
	HGSD with 2 shelves SPL (1,016 h mm)		1,016	914	463
4	HSSD with 1 shelf SPL (1,016 h mm)	0.11	1,016	914	463
	HSSD with 2 shelves SPL (1,016 h mm)		1,016	914	463
5	FSSD with 3 shelves	0.16	1,830	914	463
	FSSD with 4 shelves		1,830	914	463
6	FGSSD 2HG +HS	0.17	1,830	914	463
7	FSSD with 4 shelves SPL (2,000 h mm) (including second carton)	0.21	2,000	1,200	463
8	FGSD with 3 shelves	0.16	1,830	914	463
	FGSD with 4 shelves		1,830	914	463
9	FGSD with 4 shelves SPL (2,000 h mm) (including second carton)	0.21	2,000	1,200	463

TAMBOUR DOOR STORAGE CUPBOARD

1	LHTDC 1 (including second carton)	0.12	690	900	470
2		0.15	690	1200	470
3	HHTDC 2 (including second carton)	0.14	1,010	900	470
4		0.20	1,010	1200	470
5	FHTDC 4 (including second carton)	0.24	2,000	900	470
6		0.30	2,000	1200	470
7	Planter Box	0.12	210	900	
8		0.14	210	1200	

Sl. No.	Product	Packing Volume in CBM	Product Dimensions in mm		
			H	W	D

LOCKER CABINET

1	LC 1 with perforated doors or louvres	0.08	1,830	380	457
2	LC 1 ES with perforated doors or louvres		1,830	380	457
3	LC 2 with perforated doors or louvres		1,830	380	457
4	LC 2 ES with perforated doors or louvres		1,830	380	457
5	'Z' LC 2 with perforated doors or louvres	0.10	1,830	380	457
		0.11	1,830	380	500
6	LC 3 with perforated doors or louvres	0.08	1,830	380	457
7	LC 4 with perforated doors or louvres		1,830	380	457
8	LC 5 with perforated doors or louvres		1,830	380	457
9	LC 6 with perforated doors or louvres		1,830	380	457
10	CT LC 1X2 with common top, common side, common back and common bottom	0.15	1,830	610	457
11	CT LC2 X2 with common top, common side, common back and common bottom		1,830	610	457
12	CT LC 1 x 2 with common top, common side, common back and common bottom	0.16	1,830	610	500
13	CT LC 2 x 2 with common top, common side, common back and common bottom	0.16	1,830	610	500
14	LC 1 x 3 joined together with rivets	0.21	1,830	1,140	457
15	LC 2 x 3 joined together with rivets		1,830	1,140	457
16	LC 4 x 3 joined together with rivets		1,830	1,140	457
17	LC 6 x 3 joined together with rivets		1,830	1,140	457
18	Extra LC shelf for all models of locker cabinets			379	422
19	Formed steel leg for all models of locker cabinets		100		
20	Sloping top for one unit locker cabinet		280	380	457
21	Sloping top for two units clustered locker cabinets		280	760	457
22	Sloping top for three units clustered locker cabinets		280	1,140	457

PACKING VOLUME (CKD) and PRODUCT DIMENSIONS

Sl. No.	Product	Packing Volume in CBM	Product Dimensions in mm		
			H	W	D

MOBILE PEDESTAL

1	MP3 M1 PT SRH (with side recessed handles)	0.15 (CBU) 0.07 (CKD)	613	460	472
2	MP3 M2 PT SNH (with swan neck handles)	0.13 (CBU) 0.04 (CKD)	608	405	457
3	MP3 M3 PT SRH (with side recessed handles)	0.14 (CBU) 0.04 (CKD)	613	402	472
4	MP2 M4 SRH (with side recessed handles)	0.17 (CBU) 0.10 (CKD)	730	380	472

Sl. No.	Product	Packing Volume in CBM	Product Dimensions in mm		
			H	L	W

LIGHT WEIGHT BOOK RACK

1	BR	0.07	1,830	900	300
---	----	------	-------	-----	-----

Quality of Raw Materials and Manufacturing Process

Product innovation, creative designs and consistent quality, reliability and durability have established Godrej and Khimji products as a true market leader.

Our products are manufactured from prime quality cold rolled close annealed mild steel conforming to Japanese Industrial Standards JISG 3141 SPCC SD.

All components undergo a multiple stage chemical cleaning process and are thereafter coated with epoxy polyester powder paint. The paint application is achieved through electrostatic means for uniform paint coverage and close adhesion of the paint film.

Our steel, powder paint, ball slides, locks and packaging materials are sourced from reputed global and local companies.

GENERAL TERMS AND CONDITIONS

PROVISIONS OF SALE

In accordance with our policy of continuous product development and improvement, the Company reserves the right to amend, alter, modify dimensions, colour, configuration and specifications of products illustrated in the catalogue or discontinue products without prior notice.

We also reserve the right to alter prices without prior notice.

Colour shades shown in this catalogue will not correspond to actual shade due to limitations in printing.

The images of products are only representative and the actual products delivered will correspond to product codes and descriptions provided.

Optional features / accessories and non standard colour shades are available at additional cost.

WARRANTY CLAUSE

The products, manufactured at Godrej & Khimji (Middle East) LLC in Oman, have a **Limited Lifetime warranty** from the date of sale to the original purchaser.

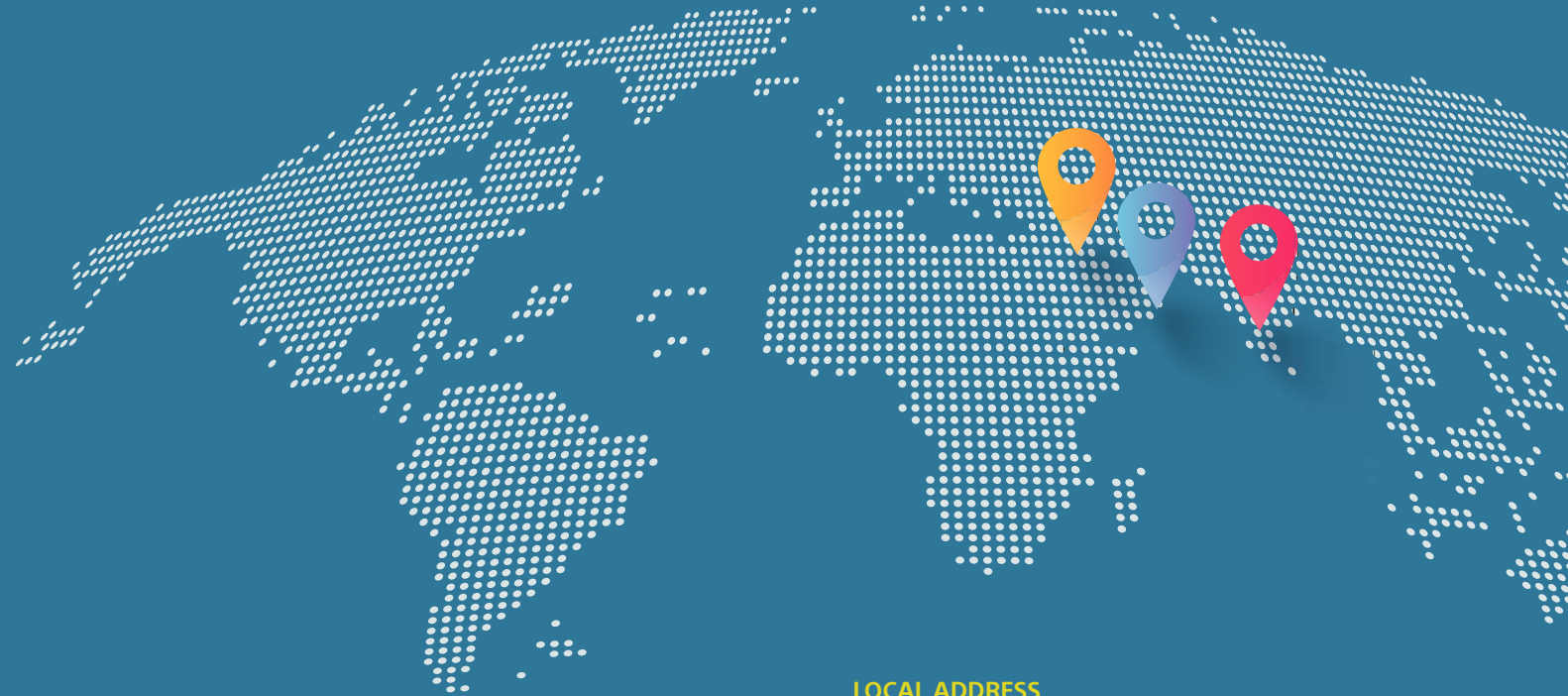
The warranty is confined to only cover all defects in materials and workmanship.

The warranty does not cover damages resulting from misuse, neglect, abuse, incorrect installation, unauthorised repairs, extreme environmental conditions or accidents.

The warranty does not apply for damages of products exposed to extreme hot or cold temperatures or excessive dry or humid environment.

Failure due to normal wear and tear, including locks, castors, slides, glasses, mirrors, springs, handles, label holders, PVC hanging rods, polymer and rubber based components, attributable to the use of products, is excluded.

Contact Details



FACTORY & SALES OFFICES IN OMAN

Godrej & Khimji (Middle East) LLC

P.O. Box 45, Postal code 327, Road 2A,
Sohar Industrial Estate, Sohar
Sultanate of Oman

Tel: +968 26750484 / 494

E-mail: exports@godrejkhimji.com
abe@godrej.com

Khimji Ramdas LLC

Interior Fit-outs & Furniture
P.O. Box: 19, P.C. 100, Muscat
Sultanate of Oman

Tel: +968 22 33 6767 / 22 33 6778

Toll free no.: 80075000

Email: kfd.myworkspace@kr.om



SALES OFFICE IN INDIA

Godrej & Boyce Mfg. Co. Ltd. Godrej Enterprises Group

Interio Division
Plant 13 Annexe, Vikhroli (East),
Mumbai - 400 079
India

Tel: + 91 22 67962473 / 76

Email: gkointerio@godrej.com



SALES OFFICE IN UAE

Godrej & Boyce Mfg. Co. Ltd. Godrej Enterprises Group

A2-004, SAIF Zone, Sharjah
United Arab Emirates

Tel : +971 569393331

Email: gkointeriuae@godrej.com

LOCAL ADDRESS

www.godrejkhimji.com