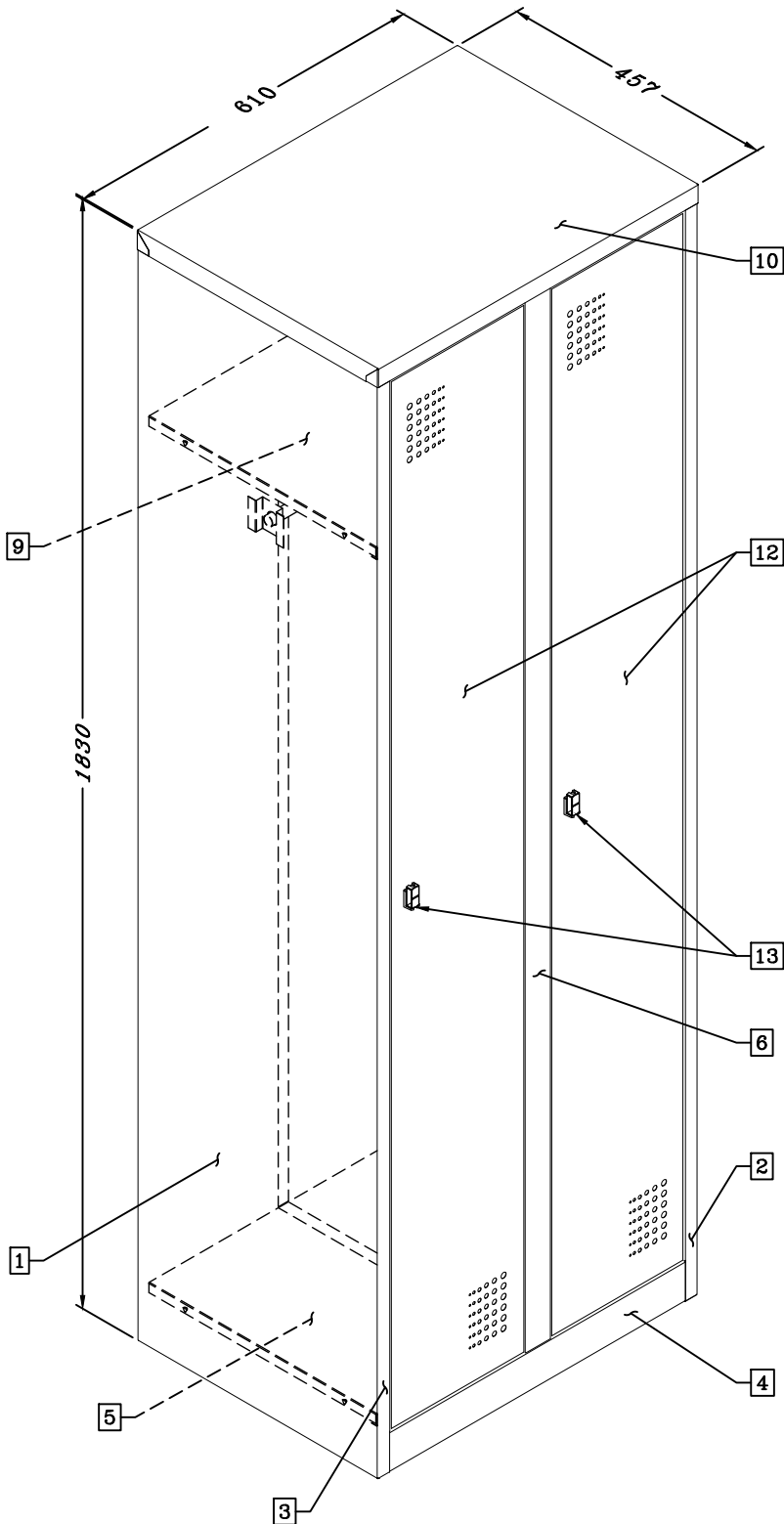
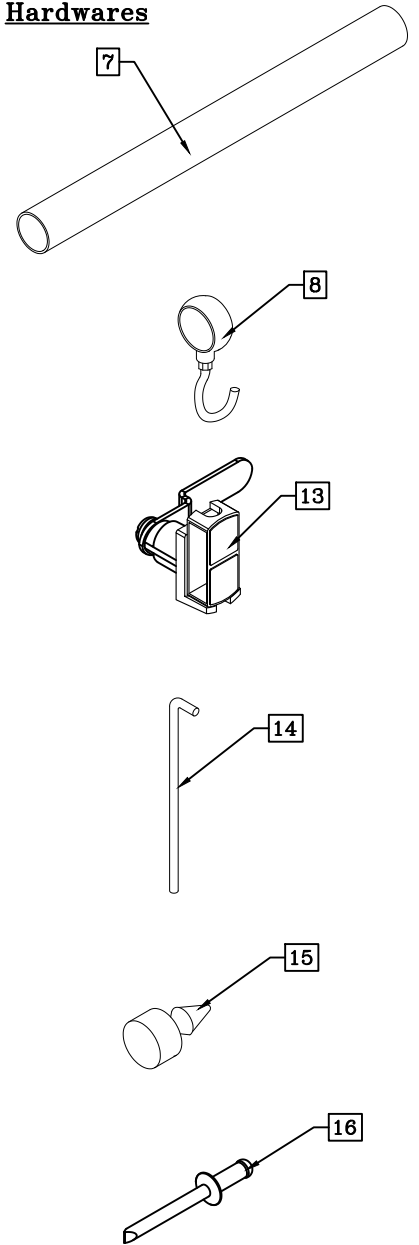


# Assembly Instruction for COMMON TOP LOCKER CTLC1

**1830H x 610W x 457D**



### Hardwares



### Product Detail

Name of Product	CTLC1 (Common Top Locker-1)
Dimensions	1830H x 610W x 457D
Door	Perforated Pattern Door
Lock	Latch Lock
Hanger Accessories	Hanging rod and Rotating hanger hook

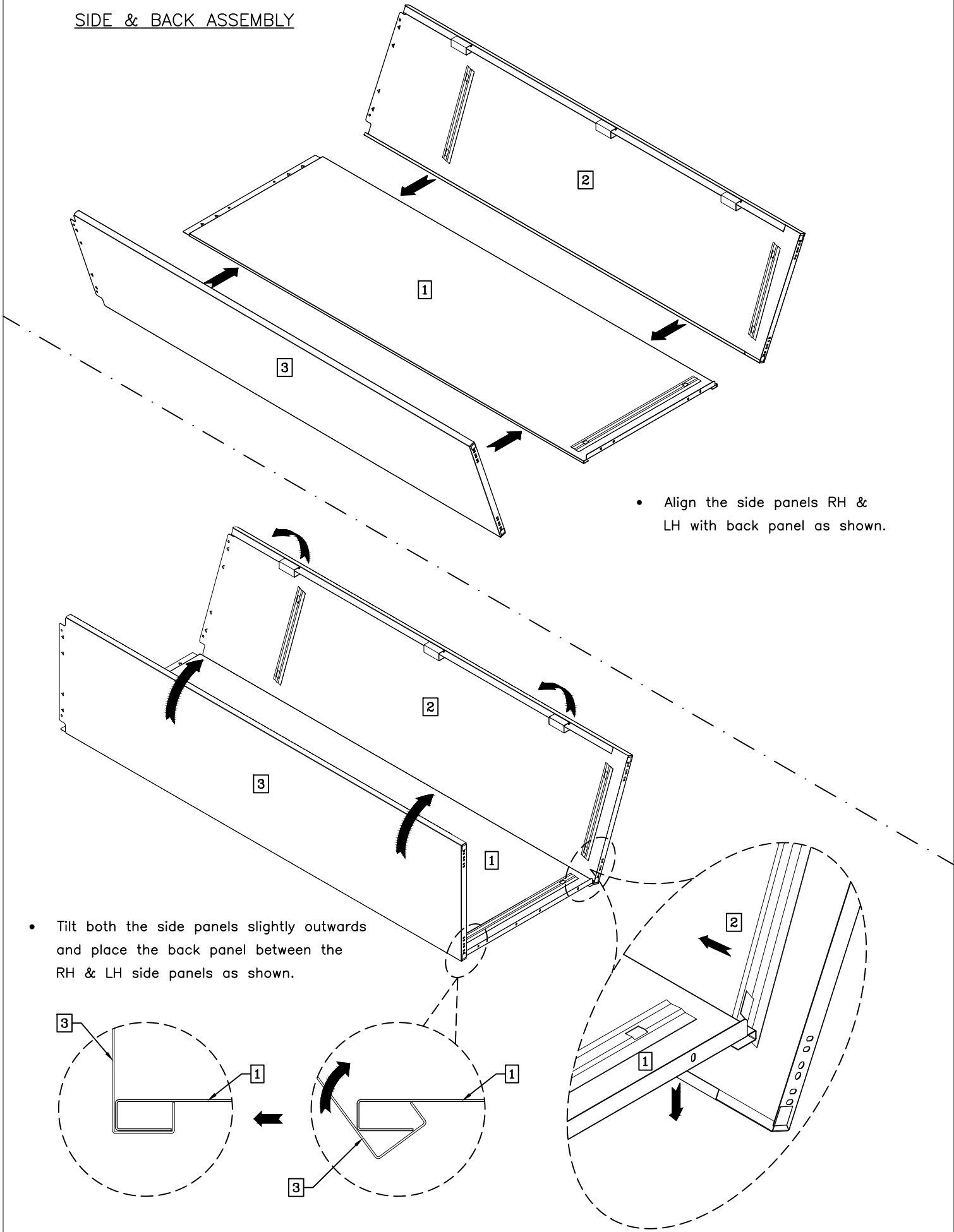
List Of Parts		
Part No.	Part Name	Qty.
1	Back Panel	1
2	Side Panel – RH	1
3	Side Panel – LH	1
4	Bottom Frame	1
5	Bottom Panel	1
6	Inner Side Panel	1
7	Hanging Rod	2

8	Rotating hanger hook	2
9	Shelf	2
10	Top Panel	1
11	Top Frame	1
12	Door	2
13	Latch Lock	2
14	Hinge Pin	6
15	Banger	4
16	Rivet	2

**\*TOOLS REQUIRED :**

- SOFT HAMMER
- RIVET GUN

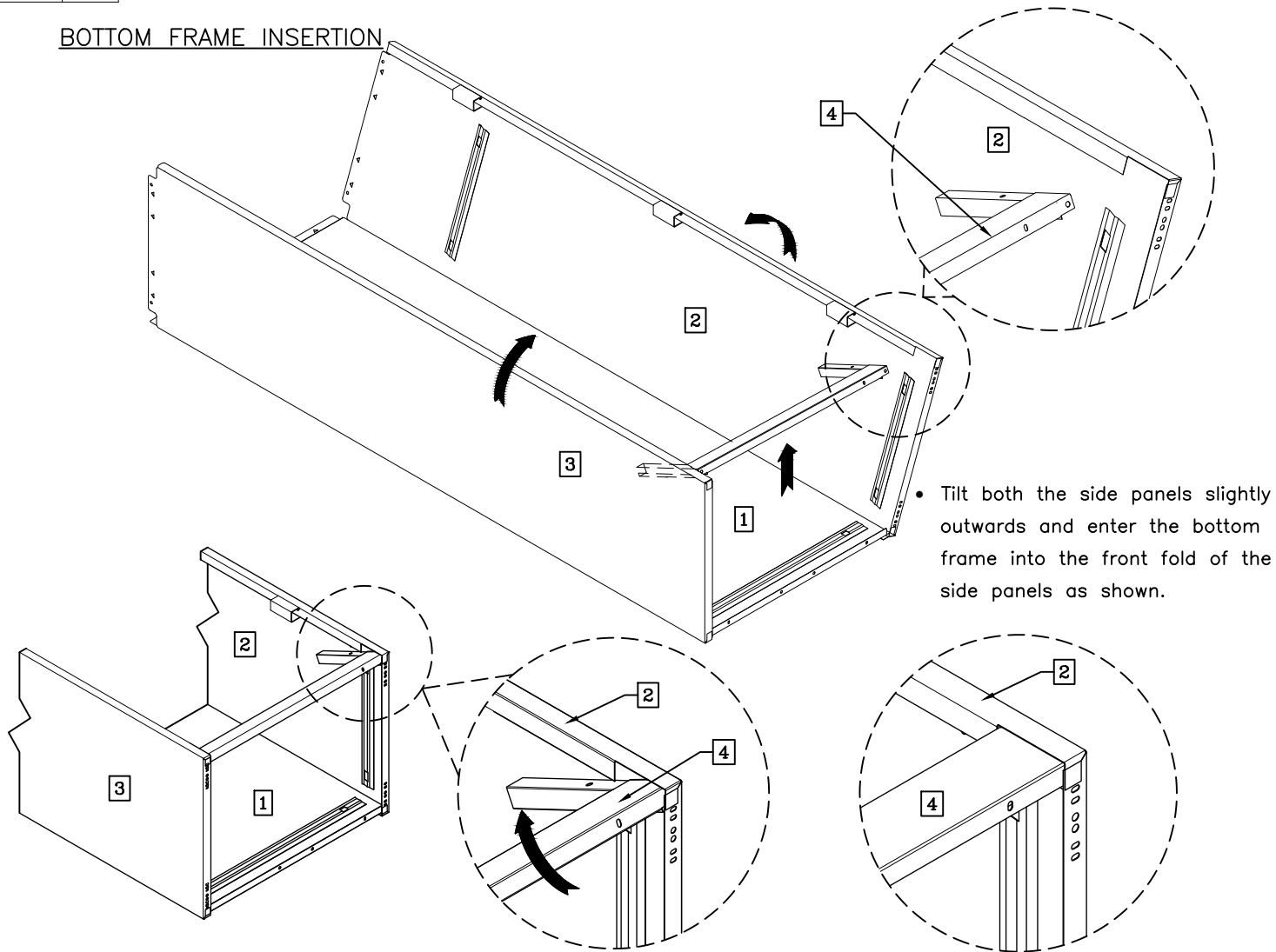
SIDE & BACK ASSEMBLY



- Align the side panels RH & LH with back panel as shown.

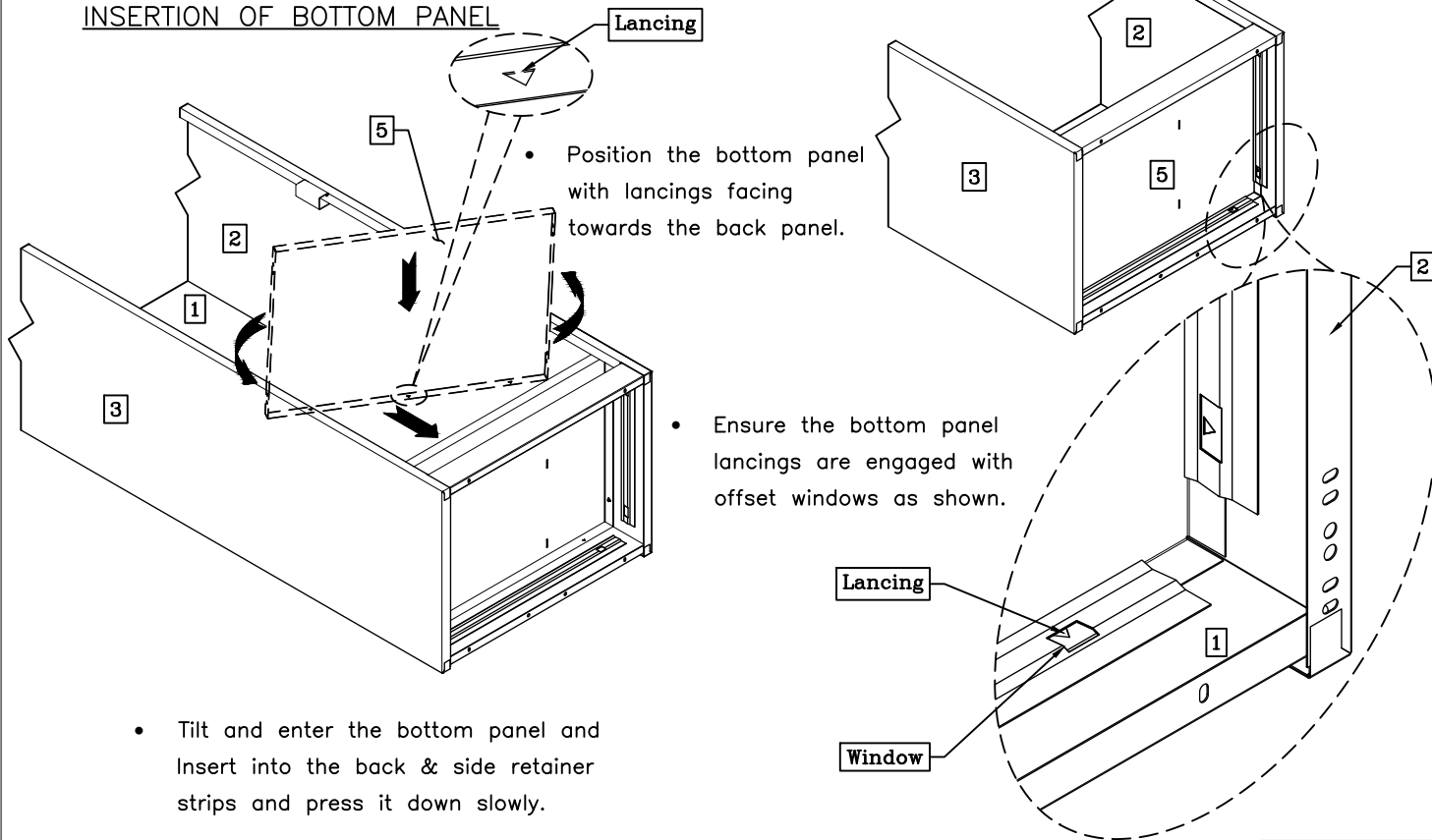
- Tilt both the side panels slightly outwards and place the back panel between the RH & LH side panels as shown.

**BOTTOM FRAME INSERTION**



- Tilt both the side panels slightly outwards and enter the bottom frame into the front fold of the side panels as shown.

**INSERTION OF BOTTOM PANEL**



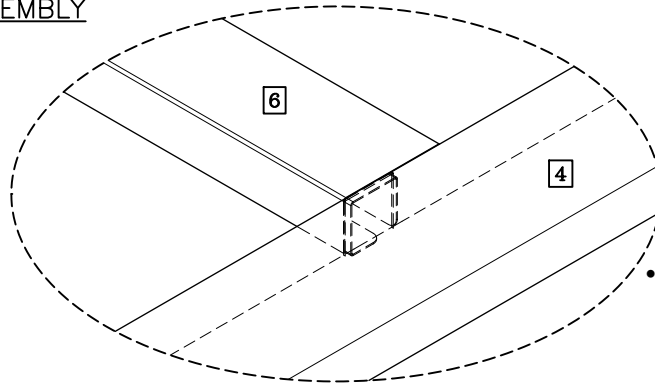
- Position the bottom panel with lancements facing towards the back panel.

- Ensure the bottom panel lancements are engaged with offset windows as shown.

- Tilt and enter the bottom panel and insert into the back & side retainer strips and press it down slowly.

**After insertion**

LC INNER SIDE ASSEMBLY



- Ensure the lower extended section of the inner side panel is fully inserted into the cutout of the bottom frame.

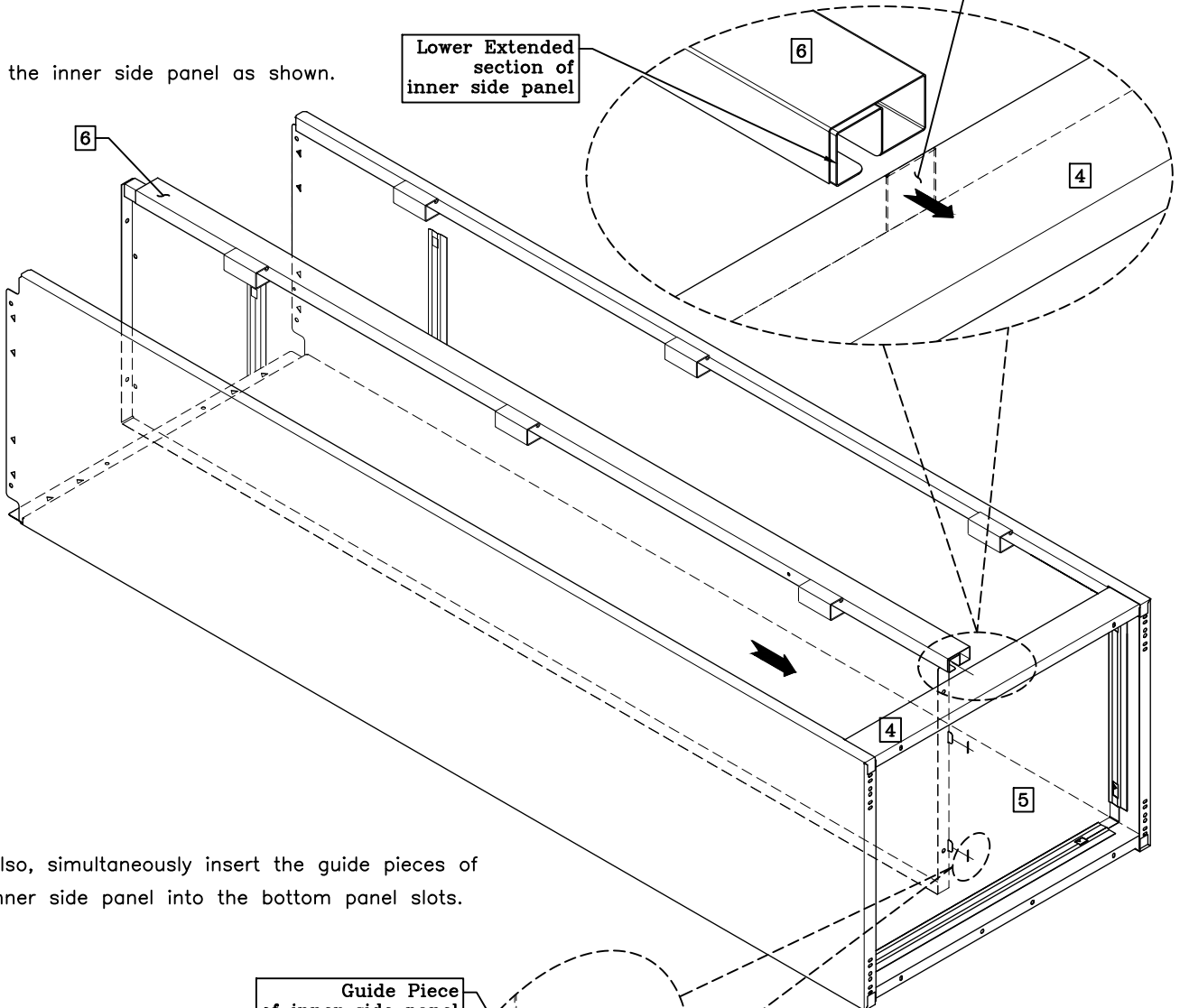


**Before insertion**

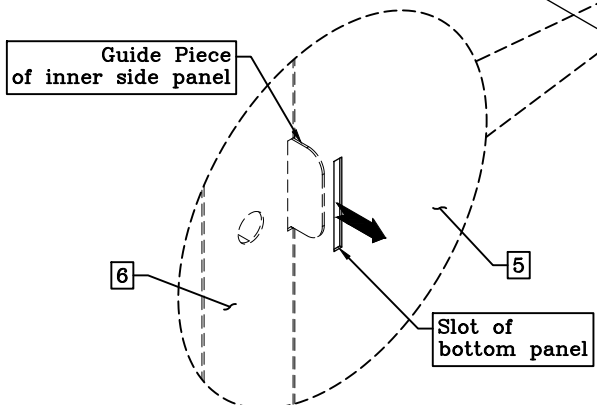
Cutout of bottom frame

Lower Extended section of inner side panel

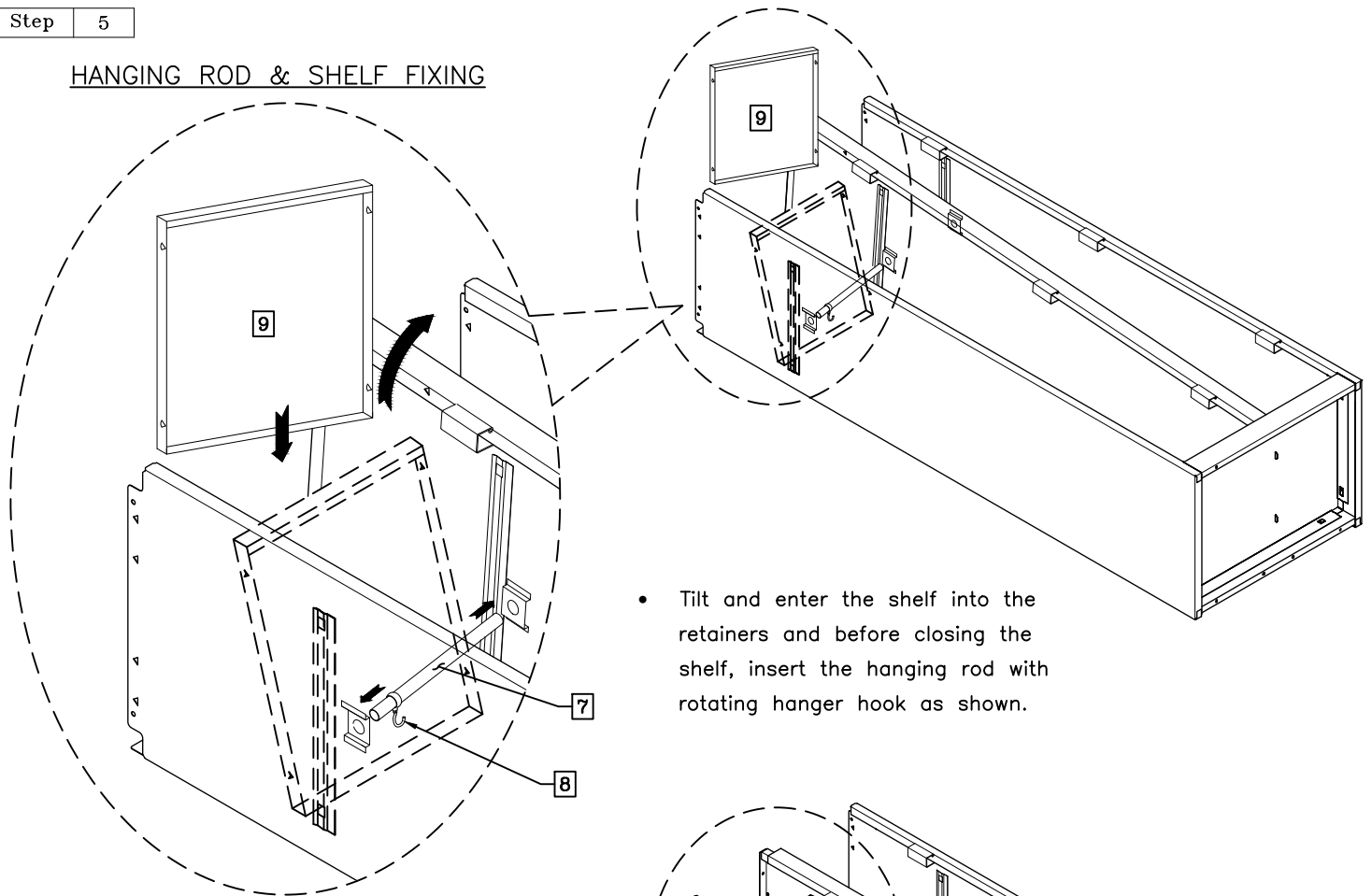
Insert the inner side panel as shown.



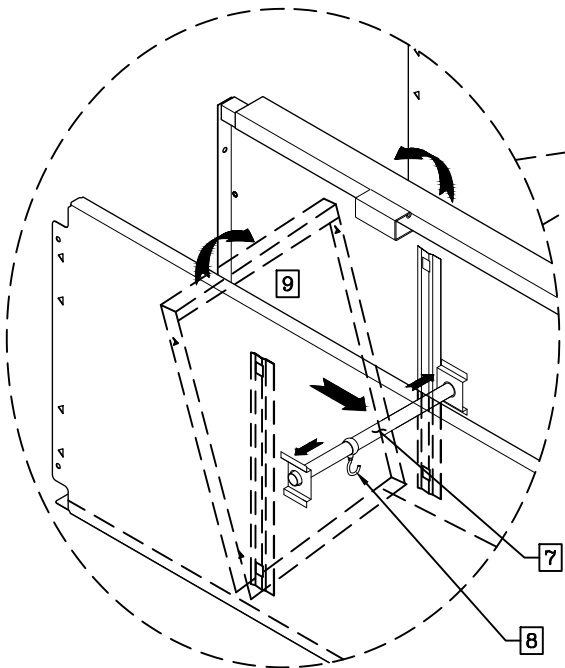
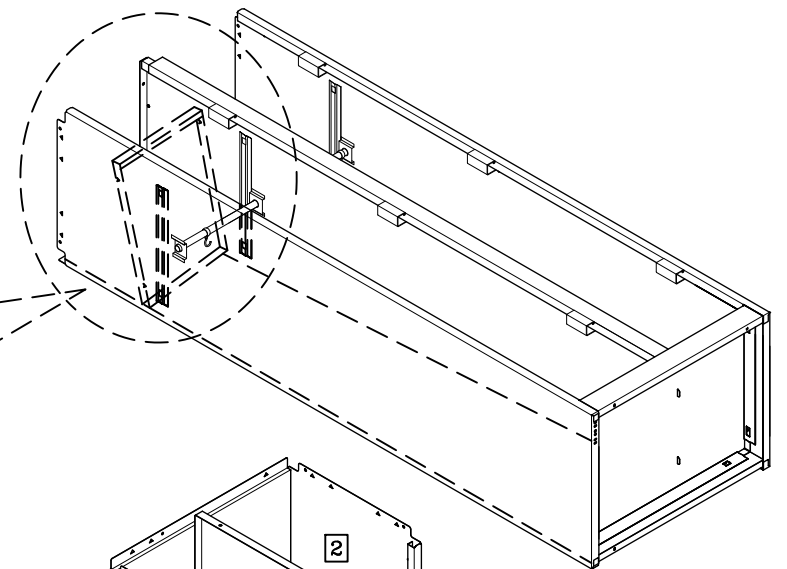
- Also, simultaneously insert the guide pieces of inner side panel into the bottom panel slots.



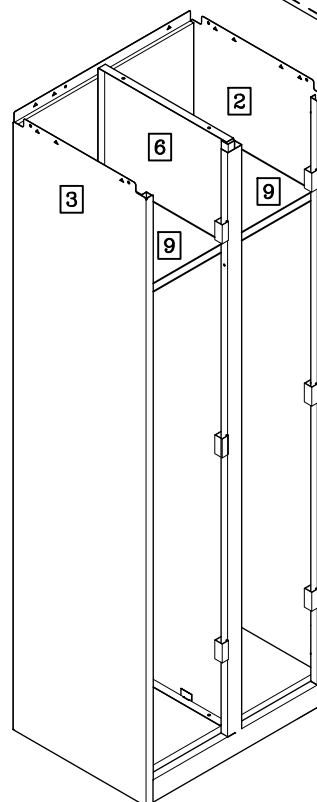
### HANGING ROD & SHELF FIXING



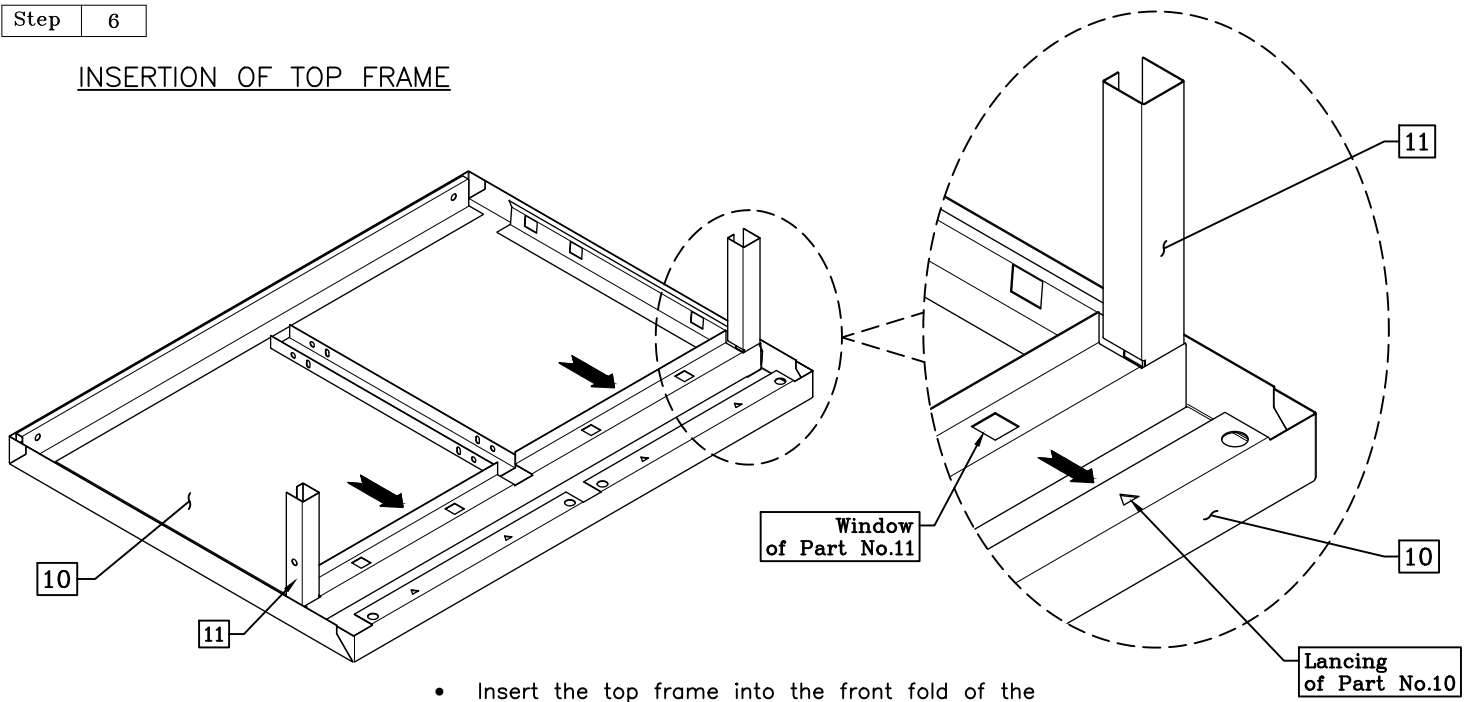
- Tilt and enter the shelf into the retainers and before closing the shelf, insert the hanging rod with rotating hanger hook as shown.



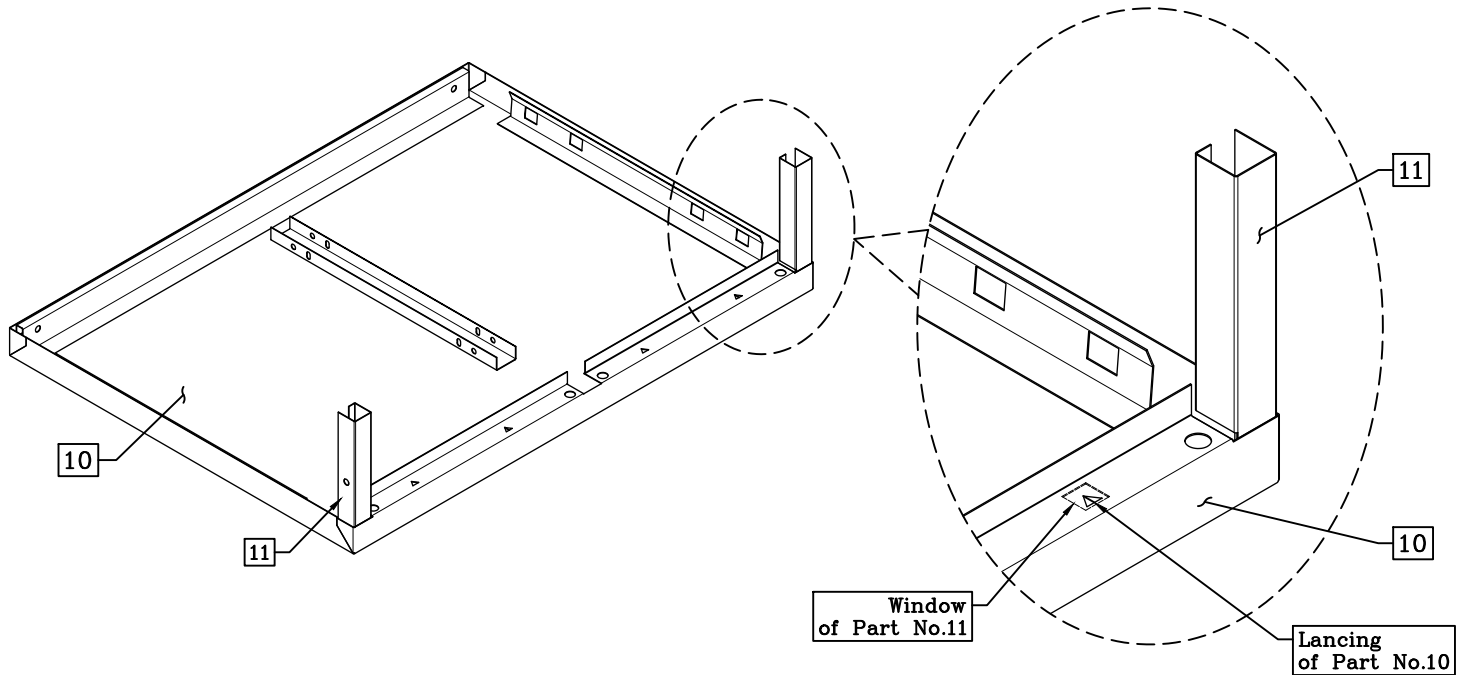
- Repeat this instruction to fix the other shelf, hanging rod and rotating hanger hook.
- Turn the product in vertical position for top panel fixing



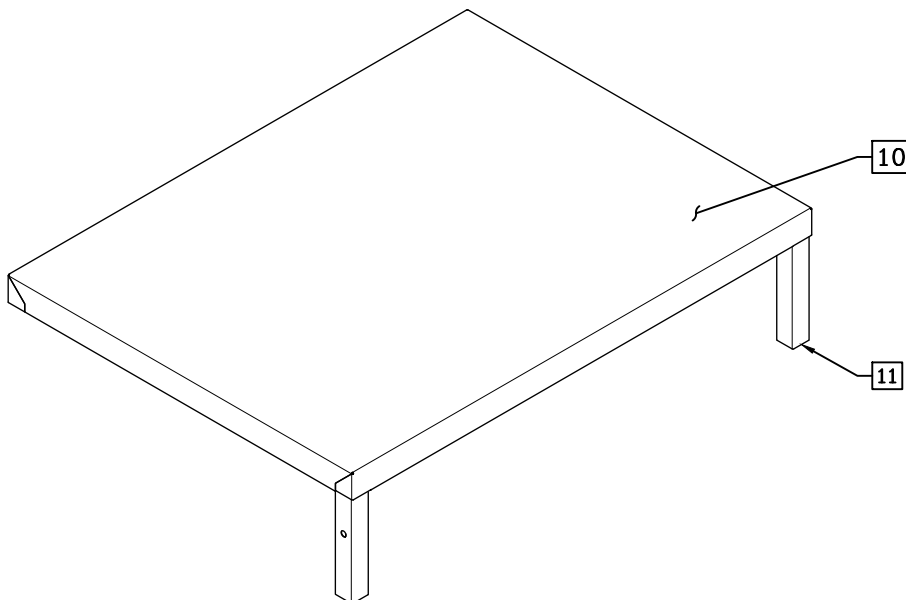
INSERTION OF TOP FRAME



- Insert the top frame into the front fold of the top panel and ensure the lancements are engaged with the top panel window.

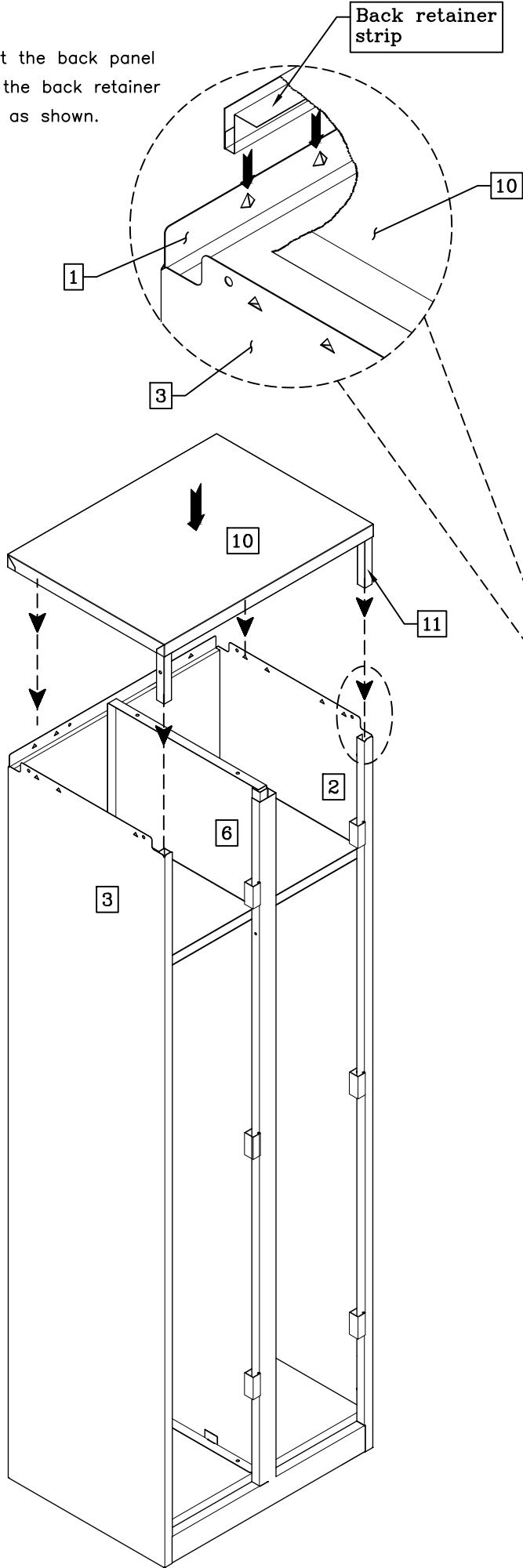


- Flip the top panel to fix with the body.

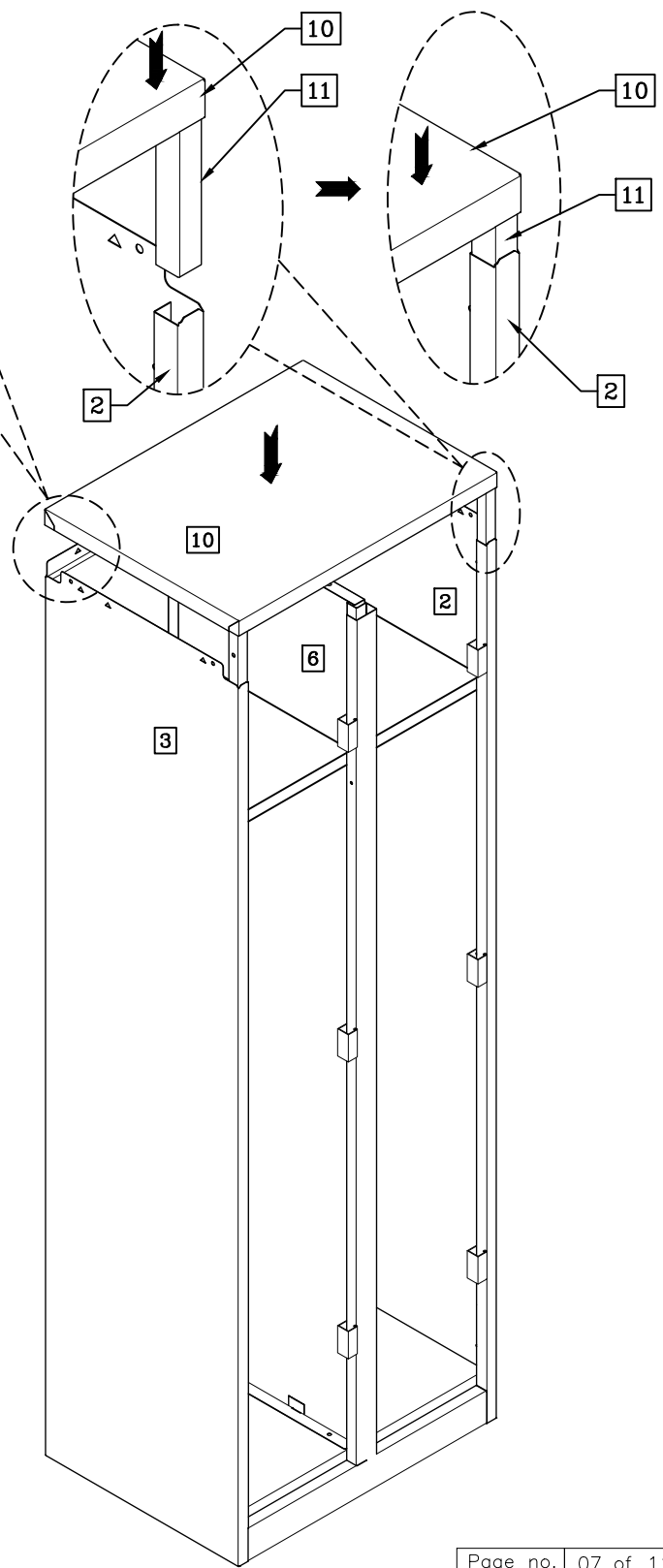


### TOP PANEL FIXING

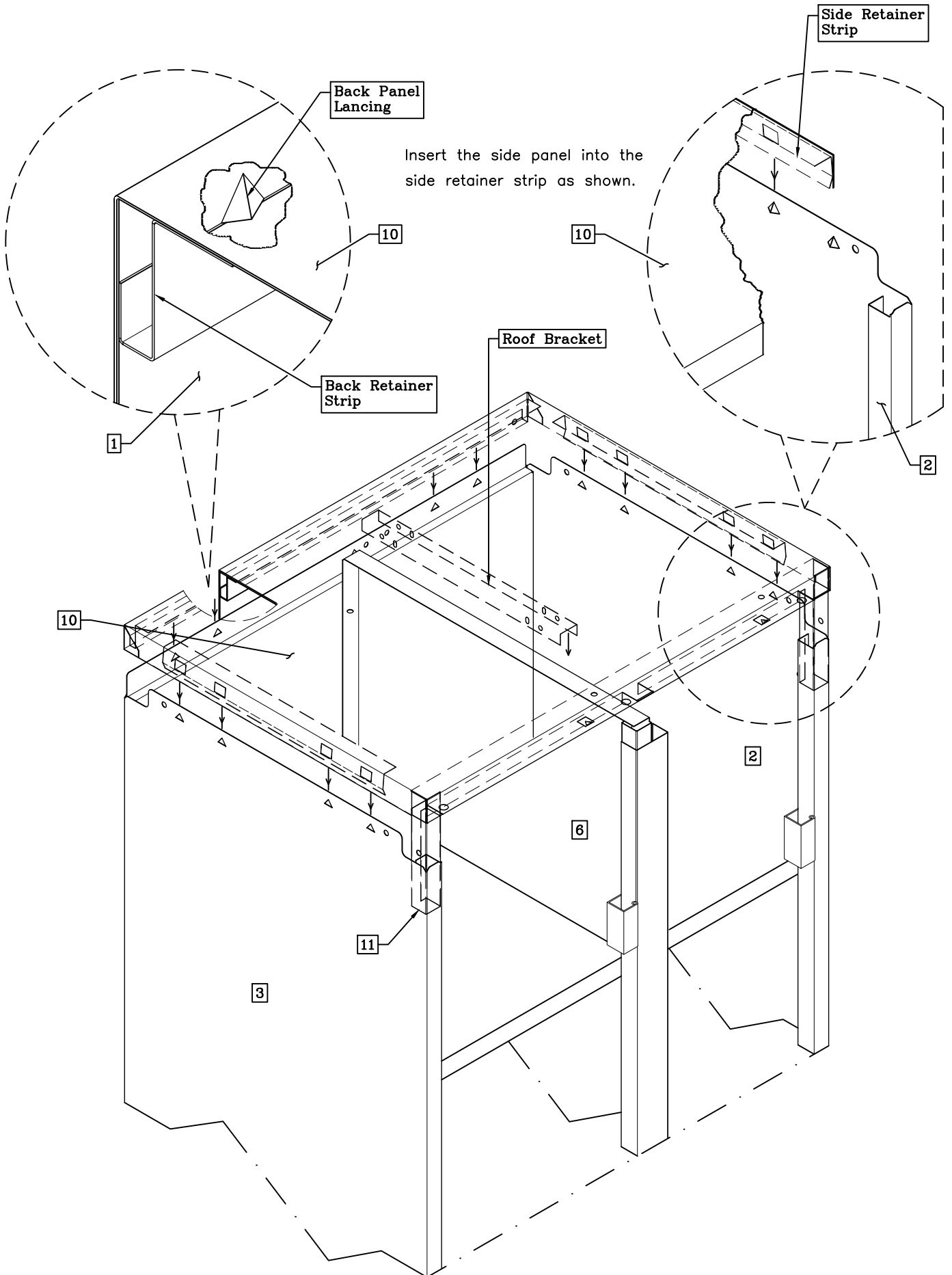
- Insert the back panel into the back retainer strip as shown.



- Insert the top frame into the front fold of the side panel as shown.

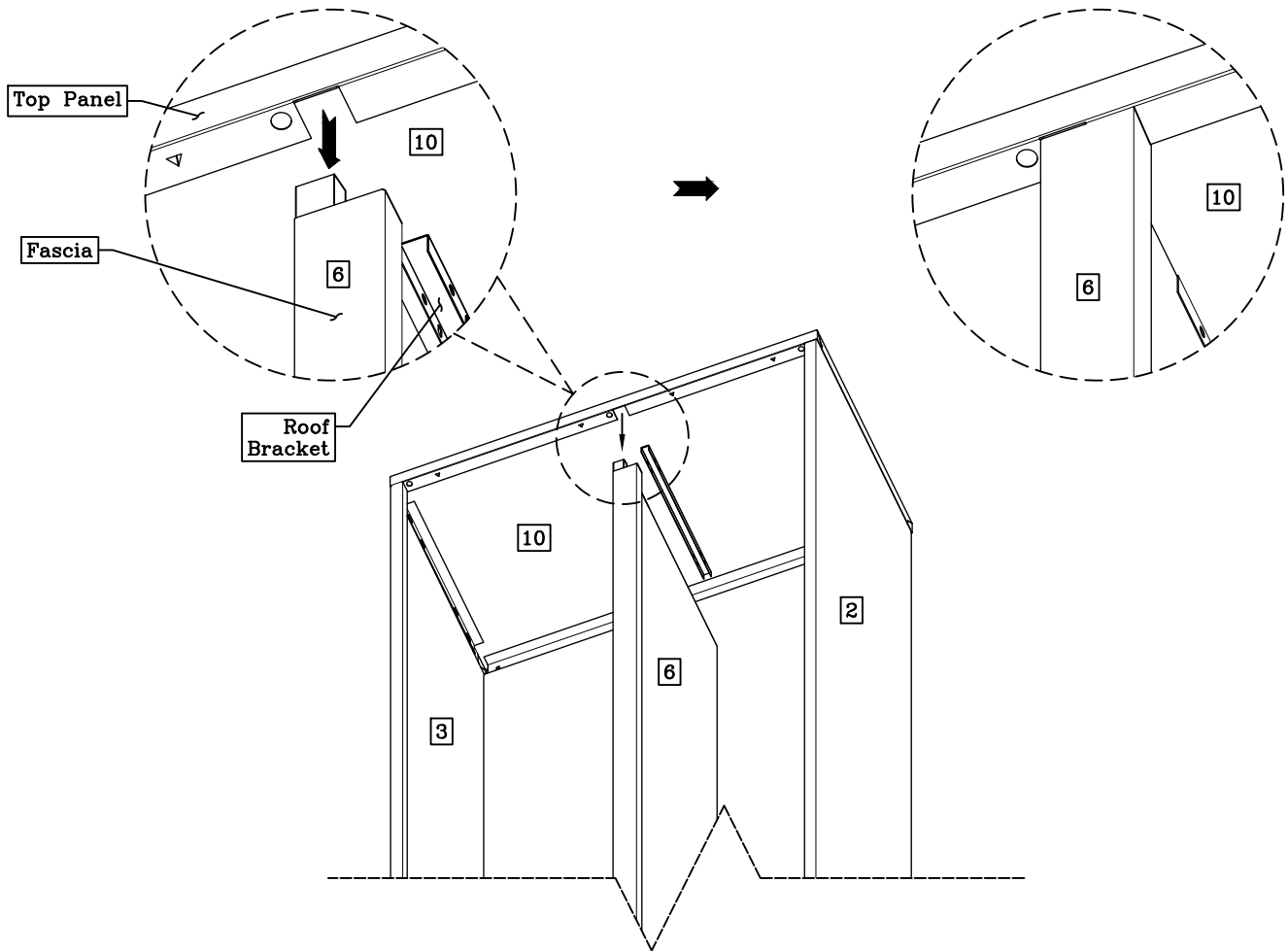


TOP PANEL FIXING

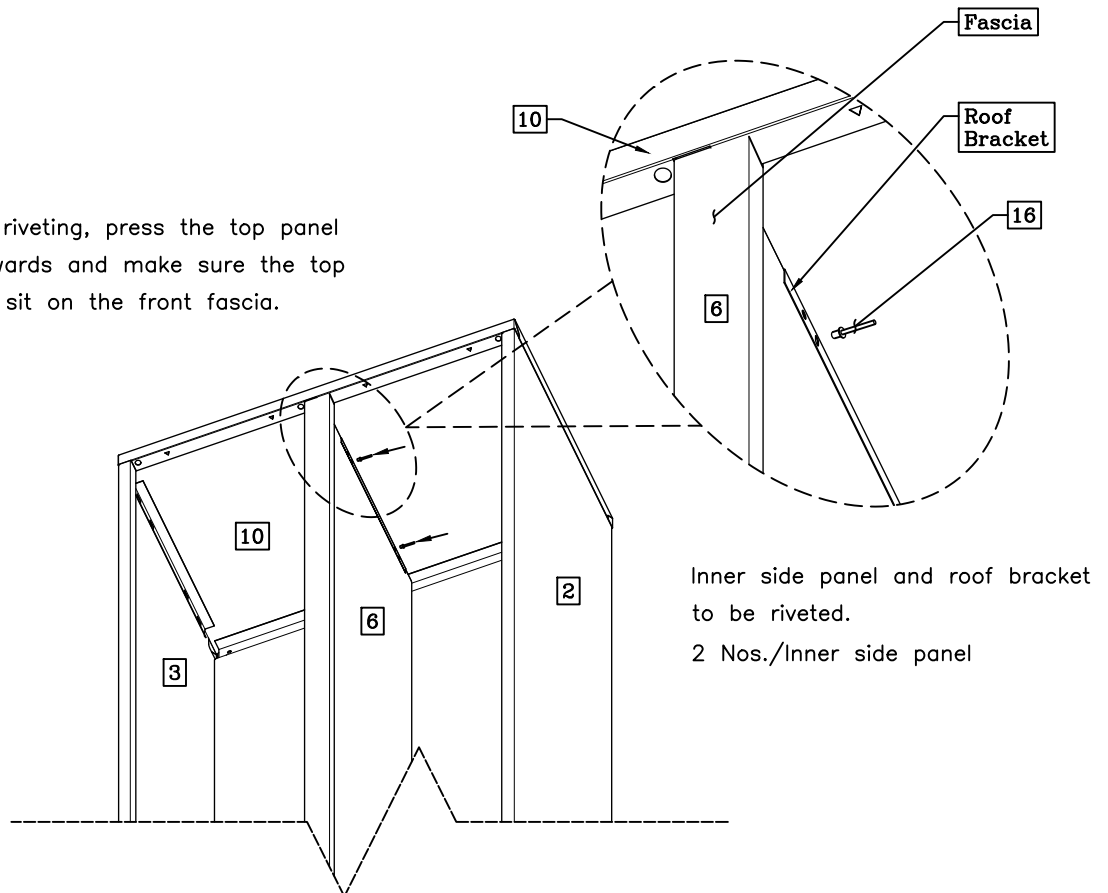


TOP PANEL FIXING

- While fixing the top panel, Insert the inner side panel into the top panel cutout and simultaneously enter the inner side panel into the roof bracket as shown.



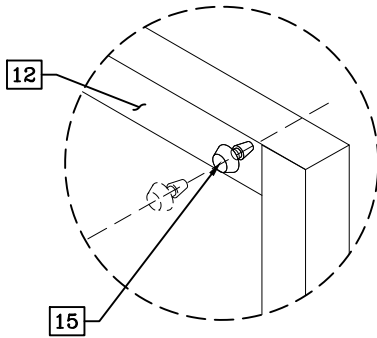
While riveting, press the top panel downwards and make sure the top panel sit on the front fascia.



Inner side panel and roof bracket to be riveted.  
2 Nos./Inner side panel

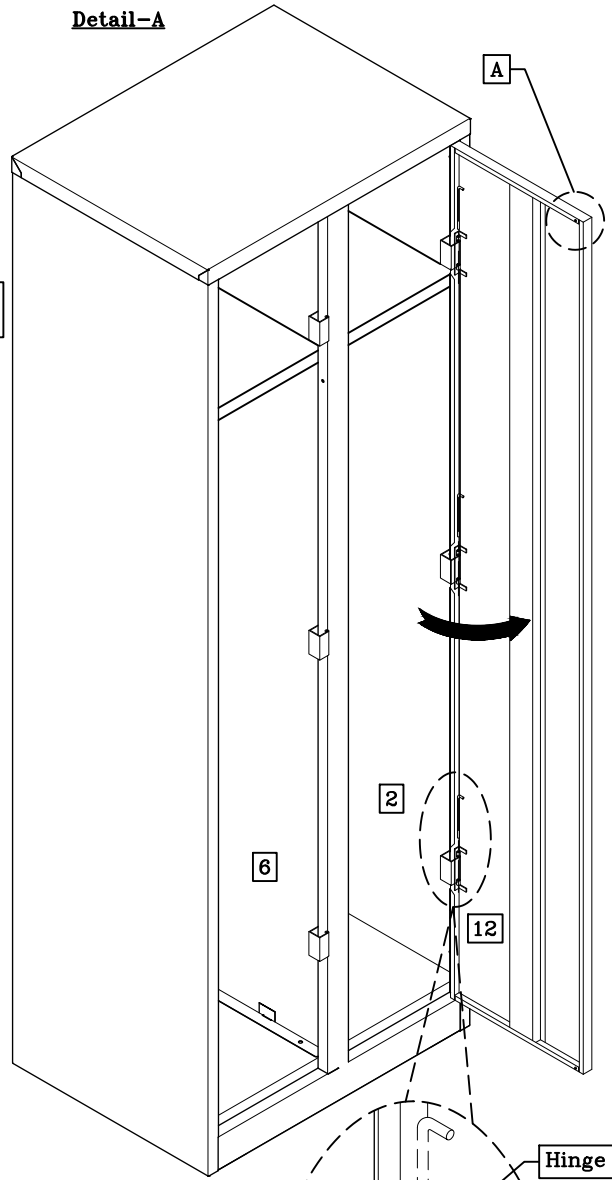
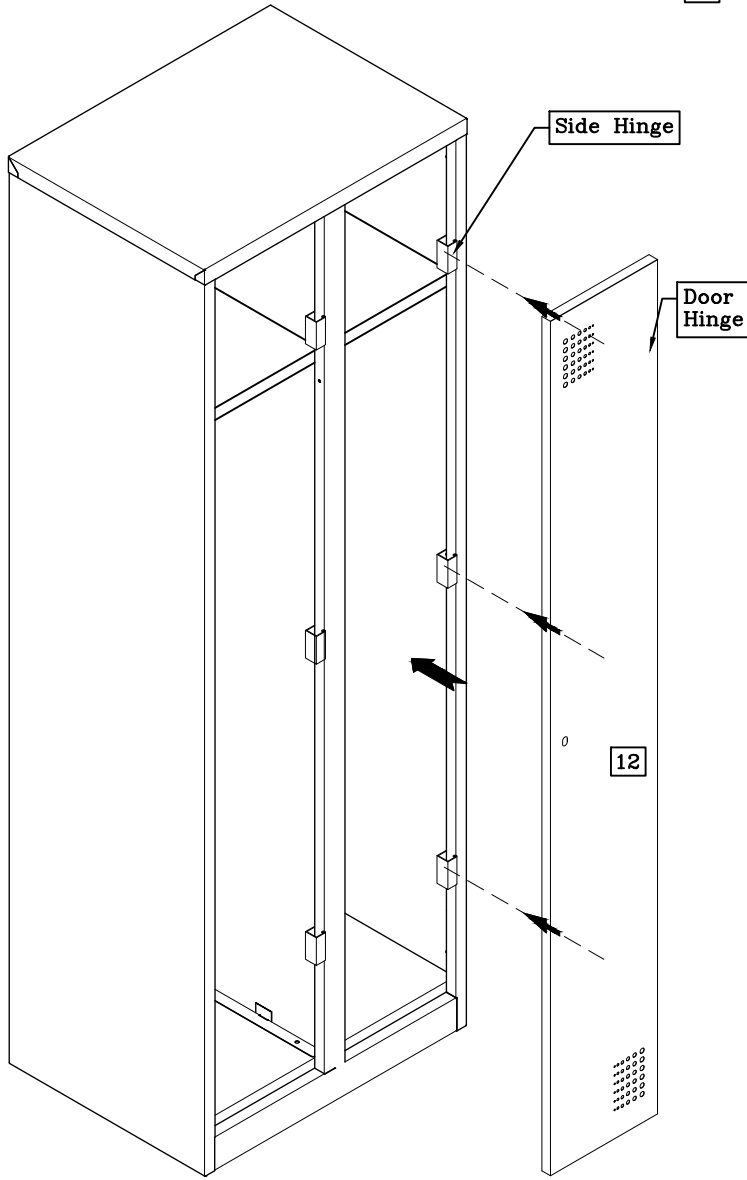
DOOR ASSEMBLY

- Hold the door in closed position and align the door hinges with the side hinges, then push it inside to fix.

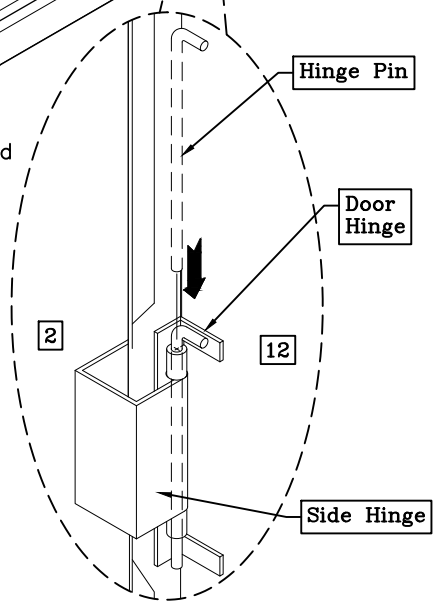


- Fix the bangers at the top and bottom corners of each door as shown.

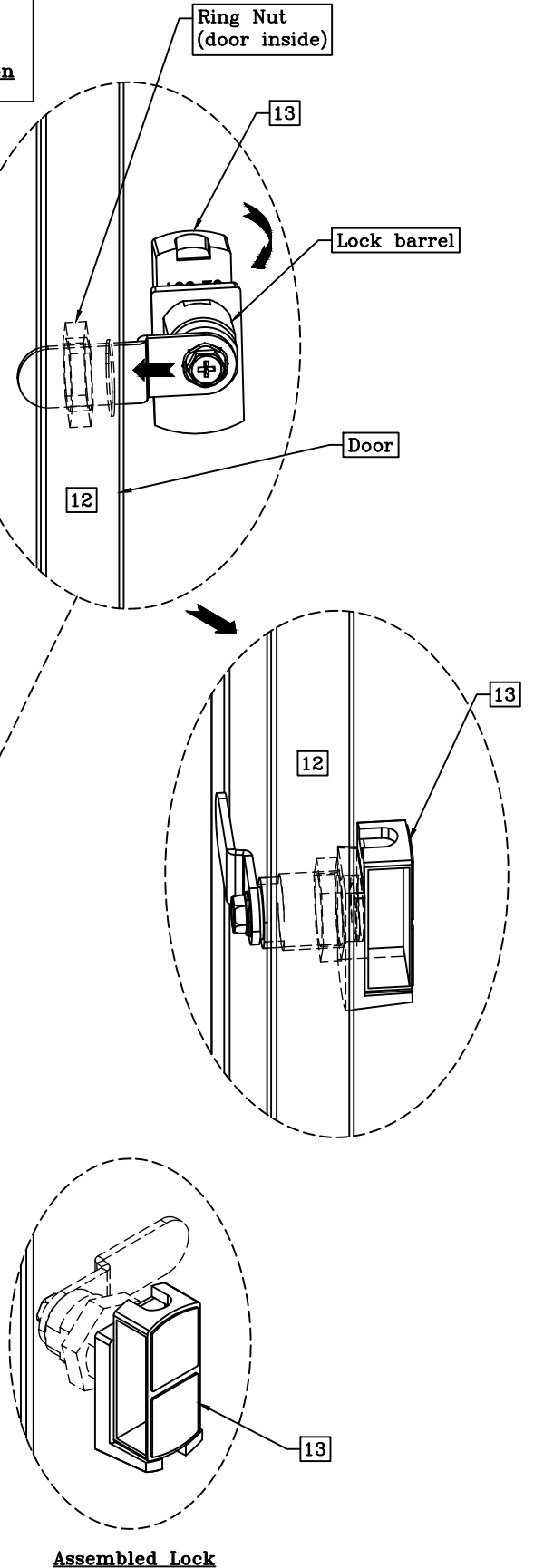
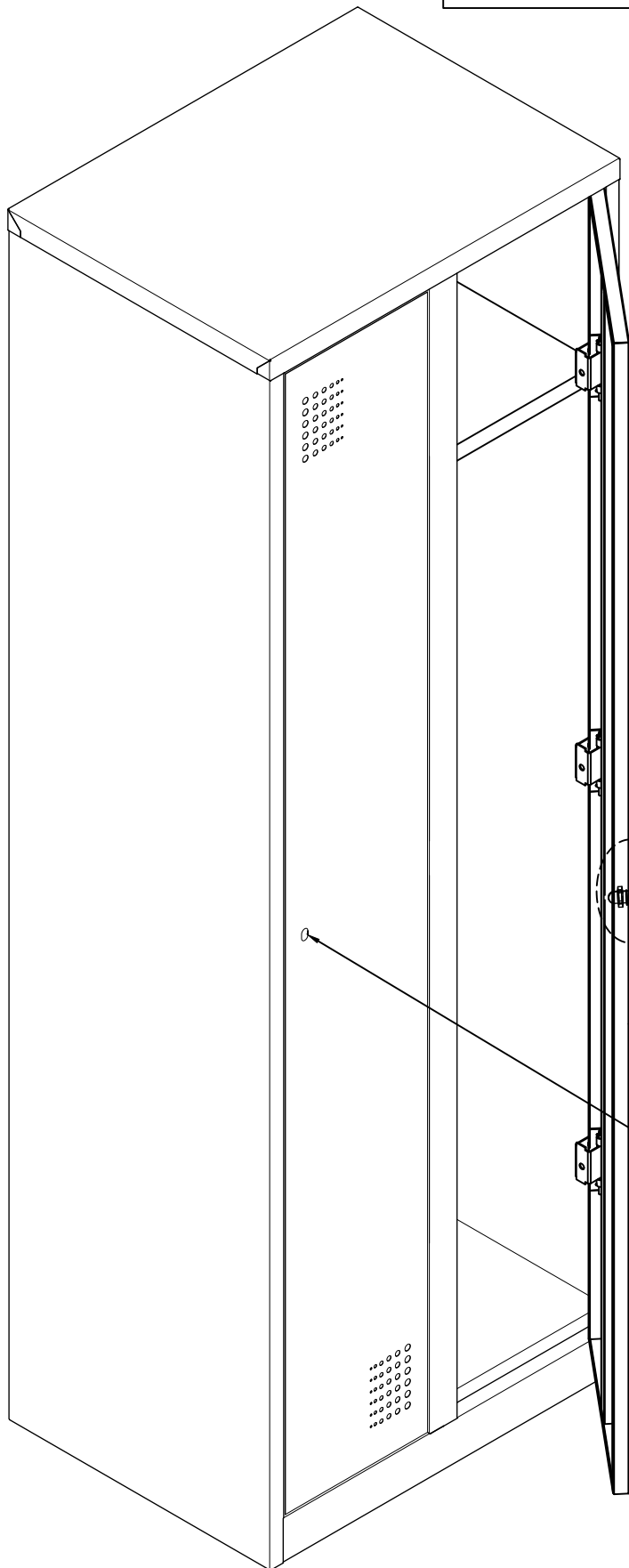
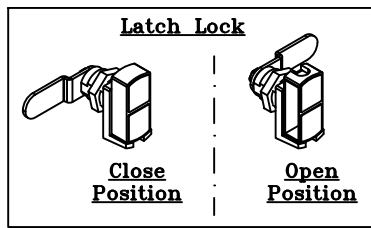
Detail-A



- Slowly open the door and insert the hinge pin



LOCK ASSEMBLY WITH DOOR



- While affixing the lock, place the ring nut on the lock lever behind the door. Turn and push the lock and simultaneously engage the ring nut with lock barrel thread to tight the lock.