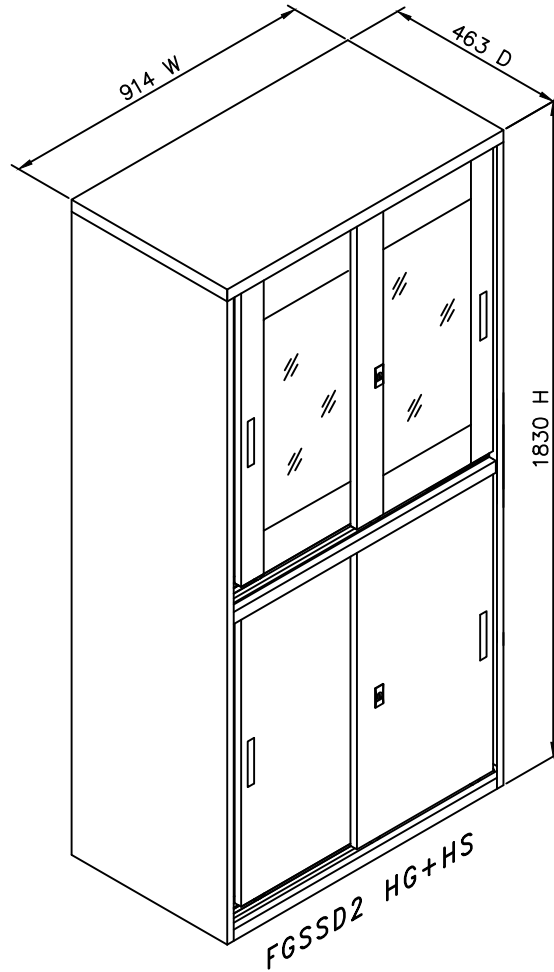


# ASSEMBLY INSTRUCTIONS FOR COMBINATION SLIDING DOOR CUPBOARD

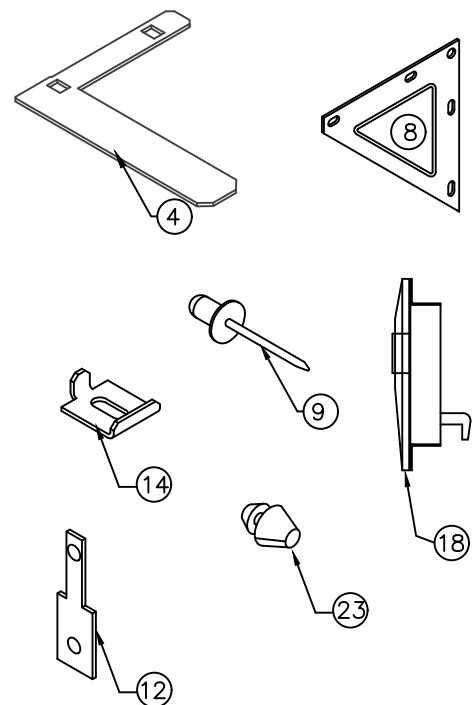
- \* PLEASE STUDY THE ASSEMBLY INSTRUCTIONS CAREFULLY & FAMILIARISE YOURSELF WITH THE PARTS BEFORE ASSEMBLY
- \* TOOLS REQUIRED : SCREW DRIVER, POP RIVET MACHINE & SOFT HAMMER.
- \* ENSURE THAT ALL THE ITEMS LISTED IN PART LIST ARE PRESENT BEFORE ASSEMBLY.



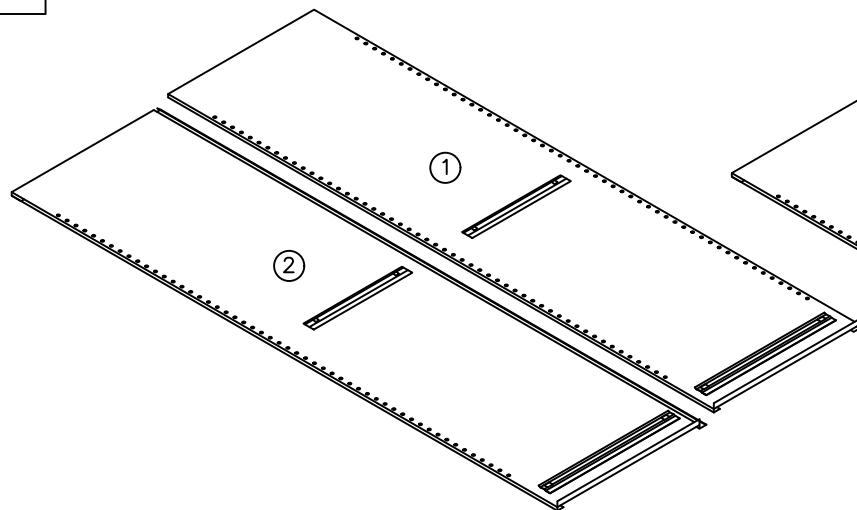
## PART LIST

PART. NO.	DESCRIPTION	QTY.
1	BACK RH	1
2	BACK LH	1
3	TOP PANEL	1
4	'L' PIECE	4
5	SIDE PANEL RH	1
6	SIDE PANEL LH	1
7	KICK PLATE	1
8	BOTTOM CORNER PIECE	4
9	RIVET	23
10	BOTTOM PANEL	1
11	MID FRAME ASSEMBLY	1
12	MID FRAME SUPPORTING BKT	2
13	MID BOTTOM	1
14	SHELF SUPPORTING BKT	10
15	SHELF	2
16	GLASS DOOR ASSEMBLY L.H.	1
17	GLASS DOOR ASSEMBLY R.H.	1
18	SDU LOCK	2
19	TOP ROLLER	8
20	BOTTOM ROLLER	8
21	STEEL DOOR ASSEMBLY L.H.	1
22	STEEL DOOR ASSEMBLY R.H.	1
23	BANGER	16

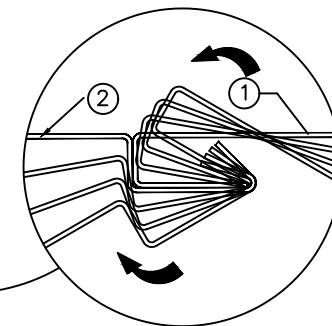
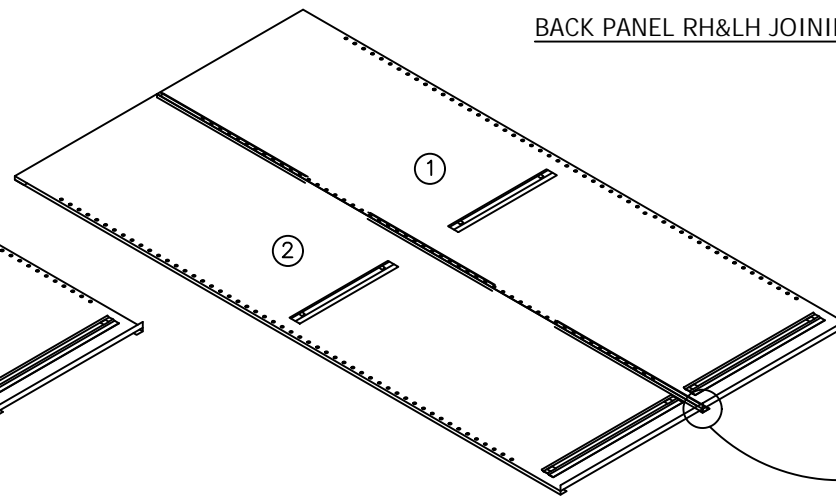
## ACCESSORIES :



STEP : 1

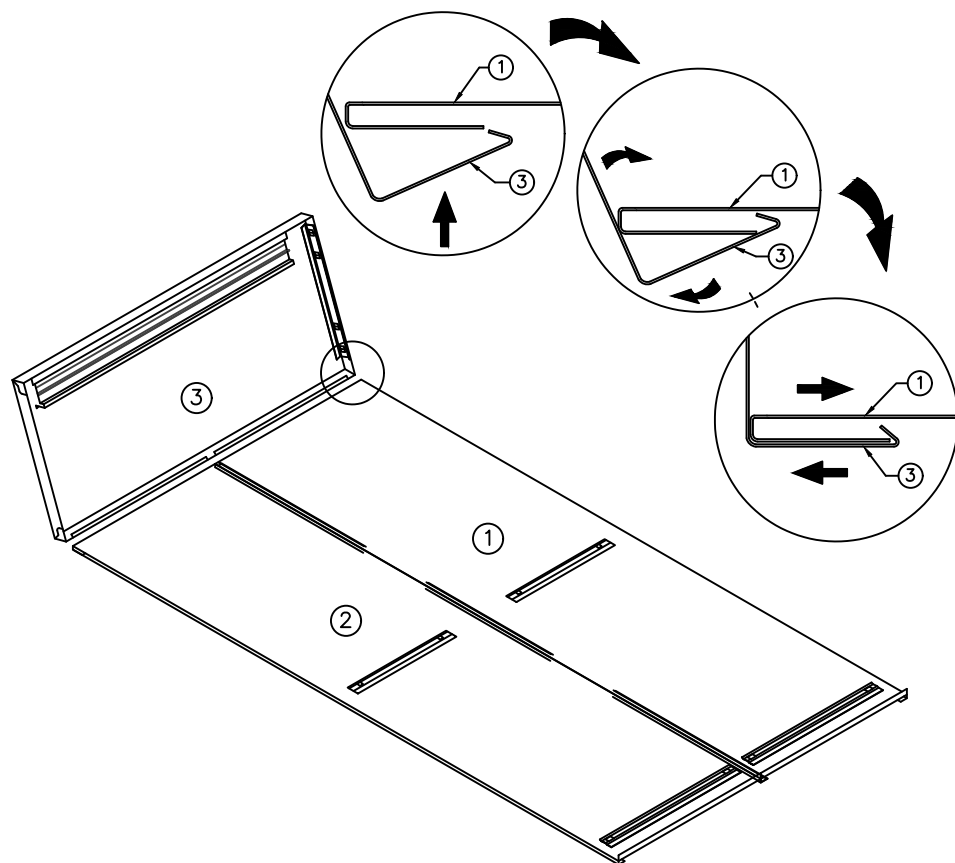


BACK PANEL RH&LH JOINING



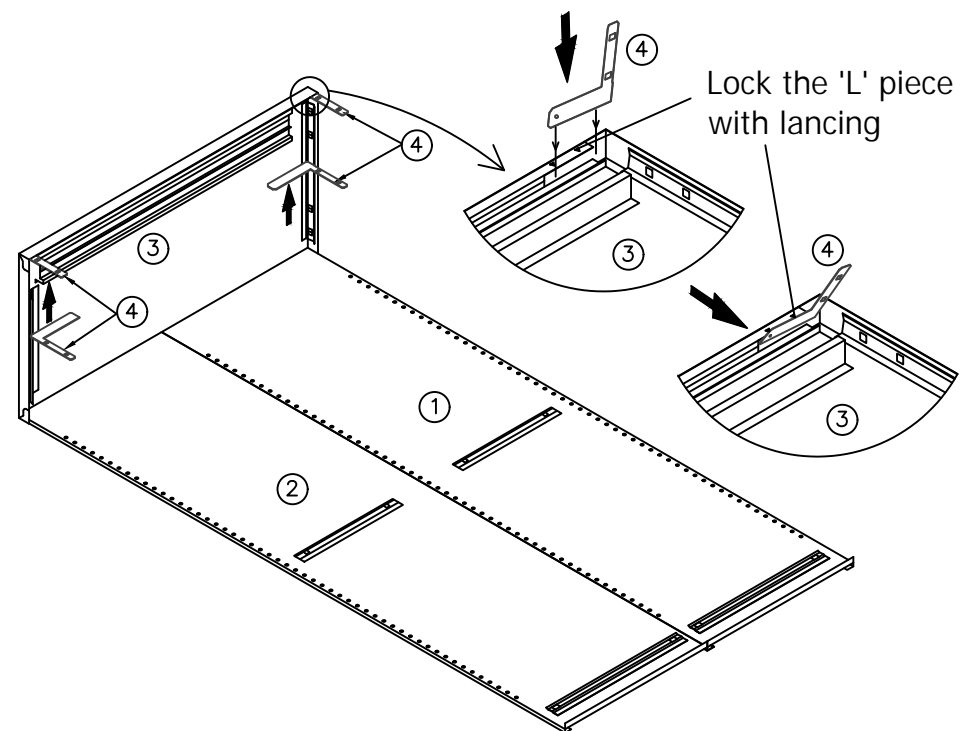
STEP : 2

TOP PANEL INSERTION

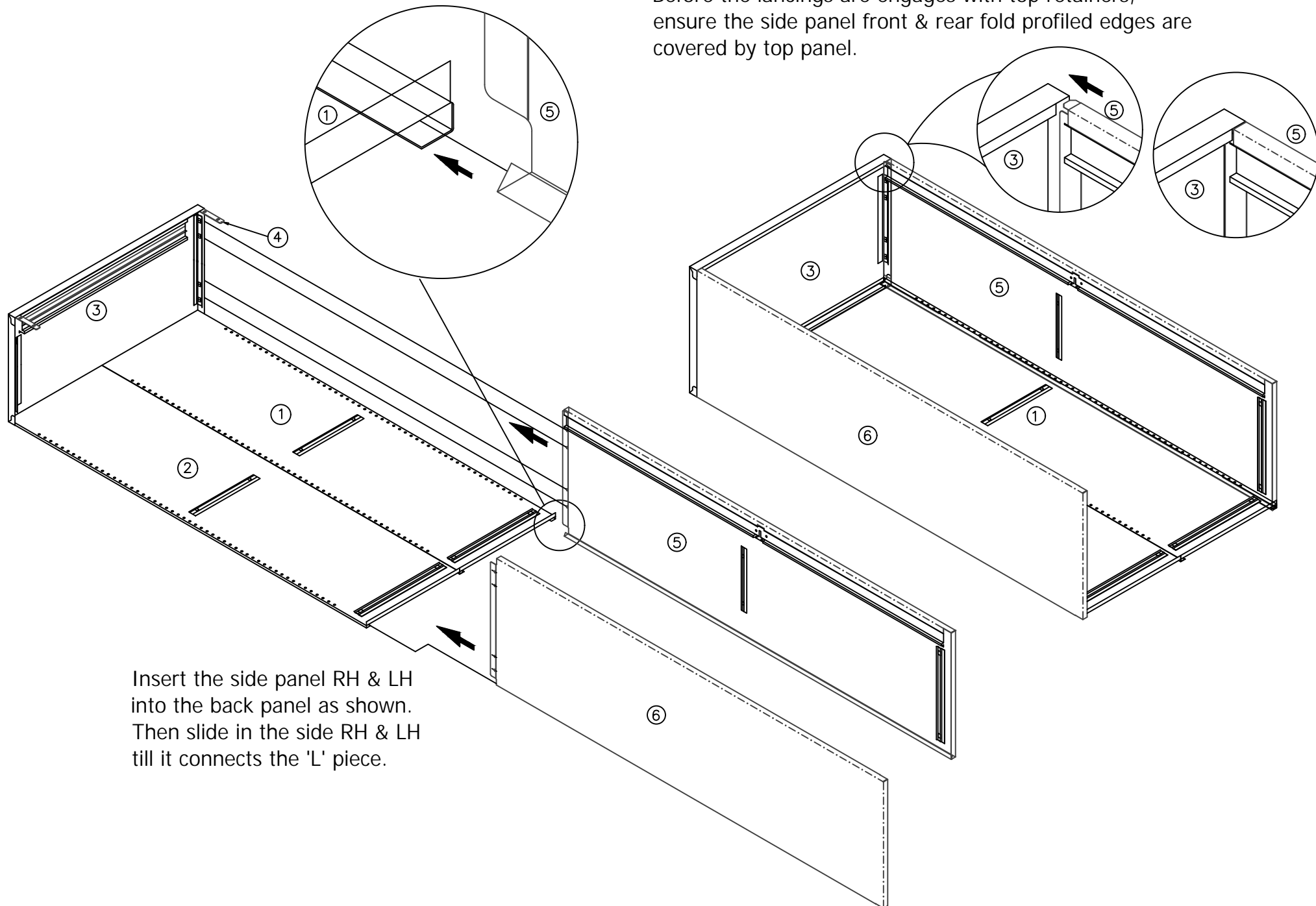


STEP : 3

LOCATING THE CORNER STRENGTHENING PIECE IN THE TOP PANEL



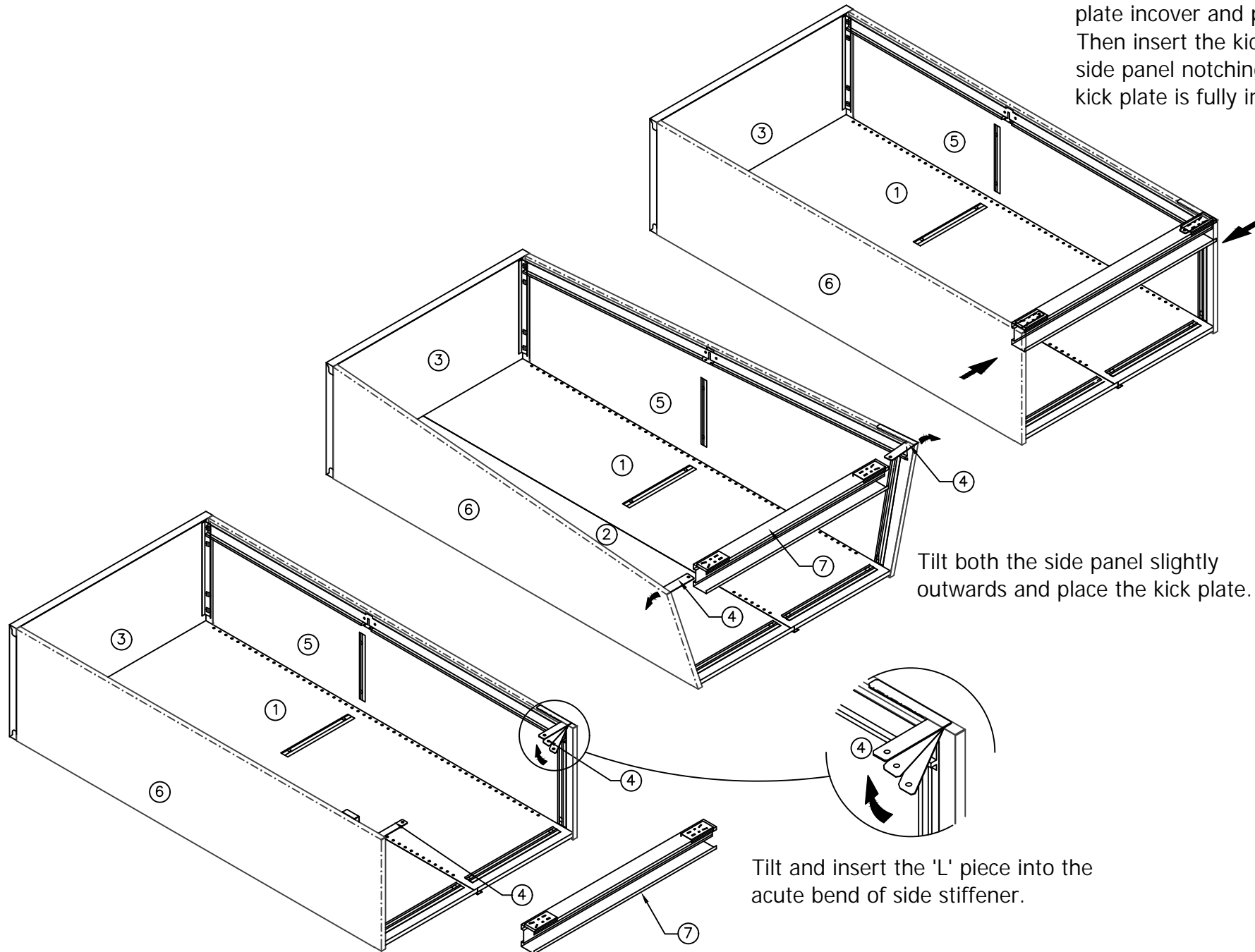
Before the lancements are engaged with top retainers, ensure the side panel front & rear fold profiled edges are covered by top panel.



Insert the side panel RH & LH into the back panel as shown. Then slide in the side RH & LH till it connects the 'L' piece.

KICK PLATE INSERTION

First locate the 'L' piece into the kick plate in cover and push through it. Then insert the kick plate into the side panel notching and make sure the kick plate is fully inserted as shown.

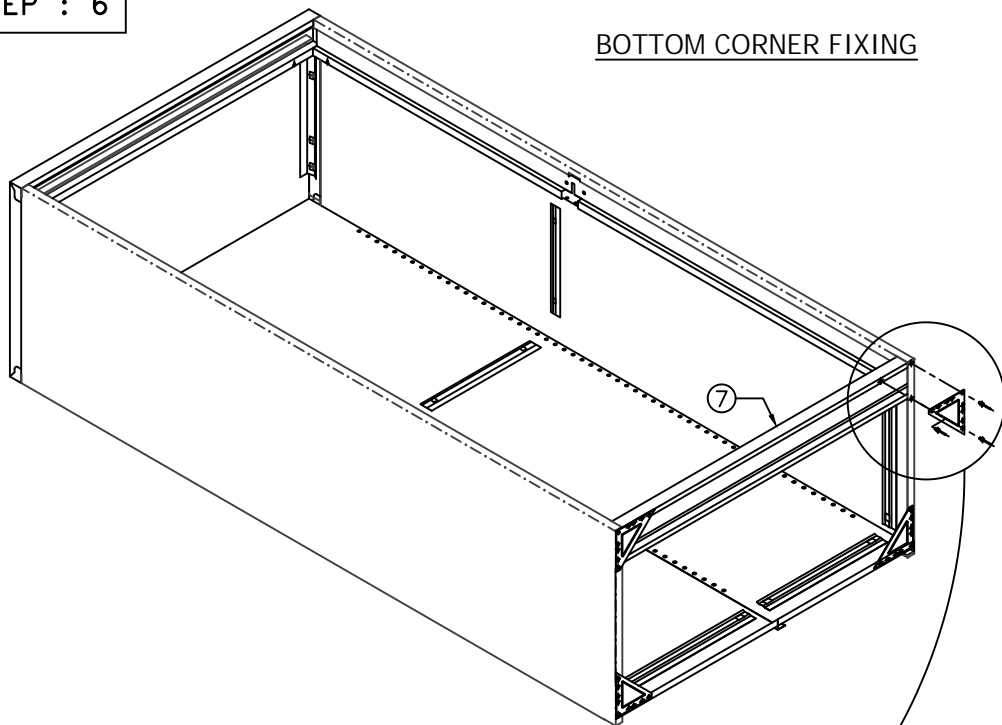


Tilt both the side panel slightly outwards and place the kick plate.

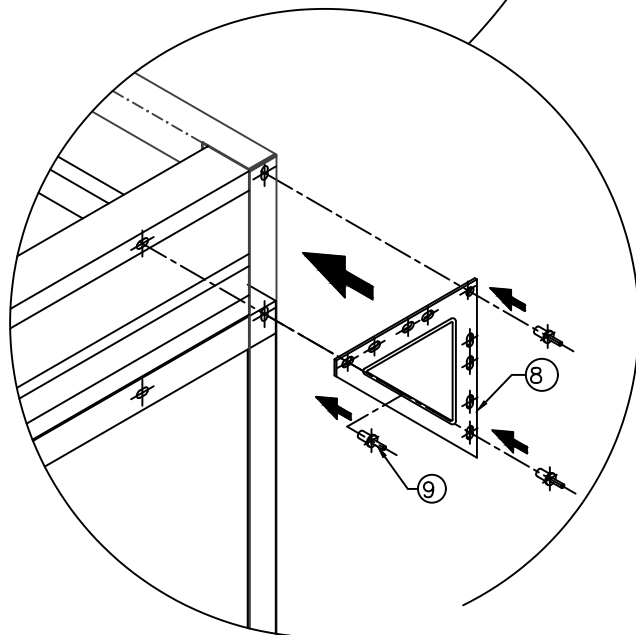
Tilt and insert the 'L' piece into the acute bend of side stiffener.

STEP : 6

BOTTOM CORNER FIXING

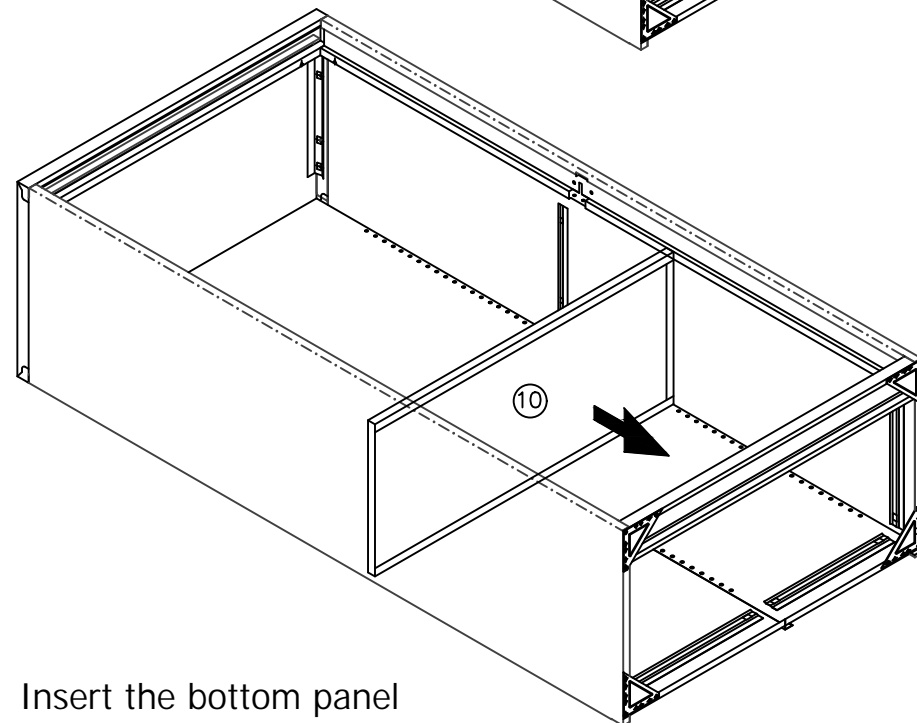
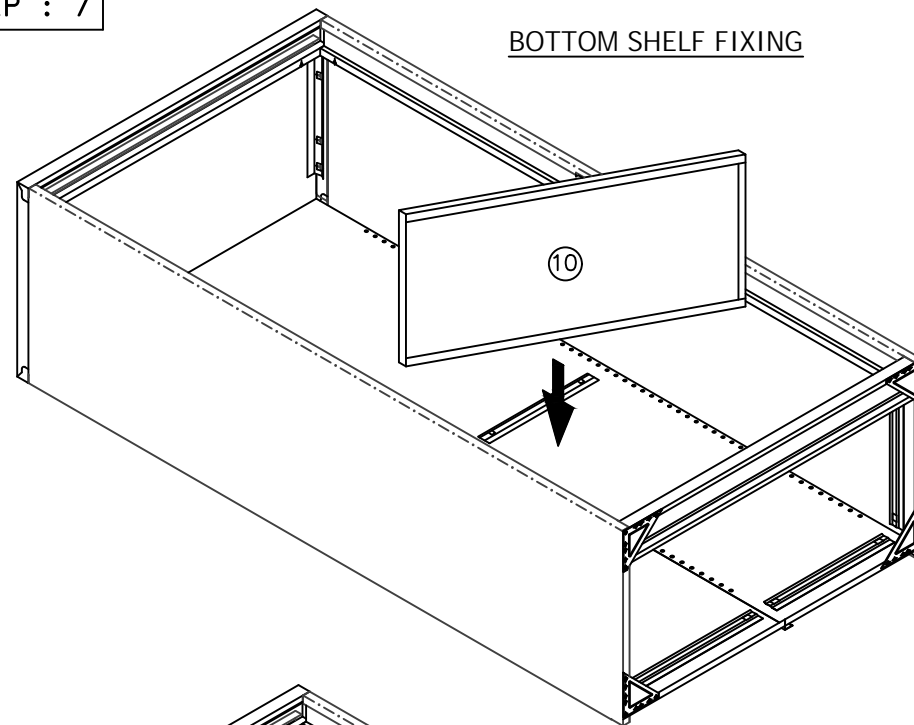


Rivet all four bottom corner pieces as shown.



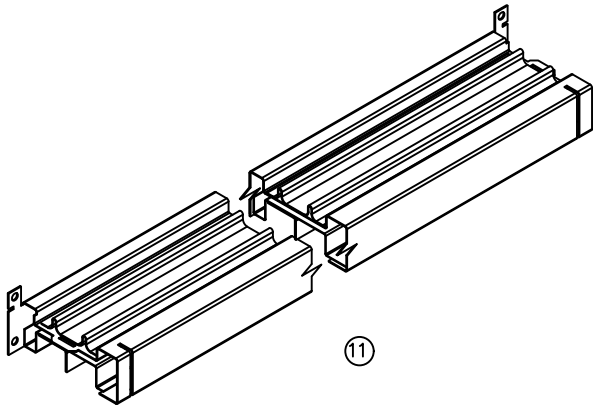
STEP : 7

BOTTOM SHELF FIXING

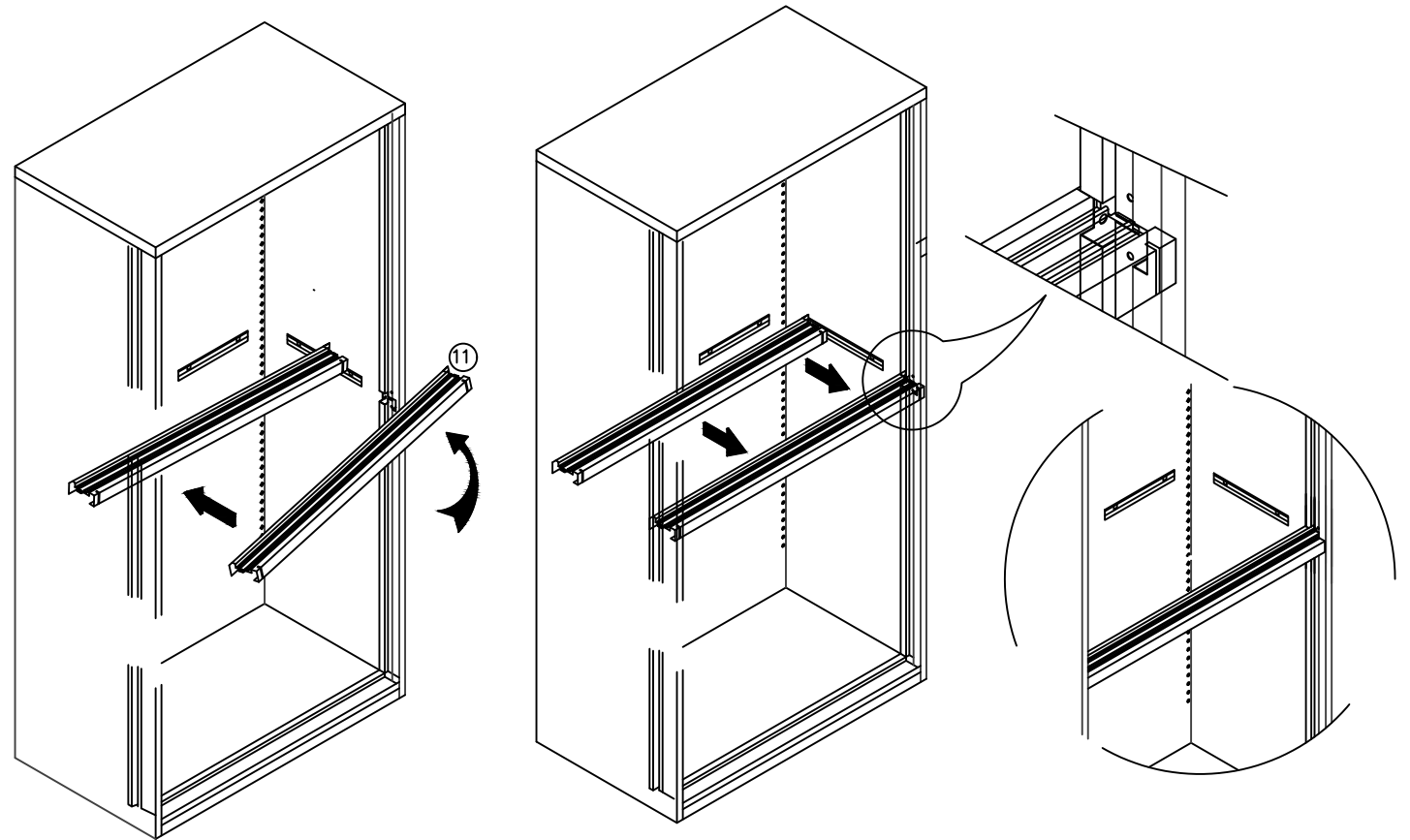


Insert the bottom panel as shown.

STEP : 8



STEP : 9

MID FRAME INSERTION

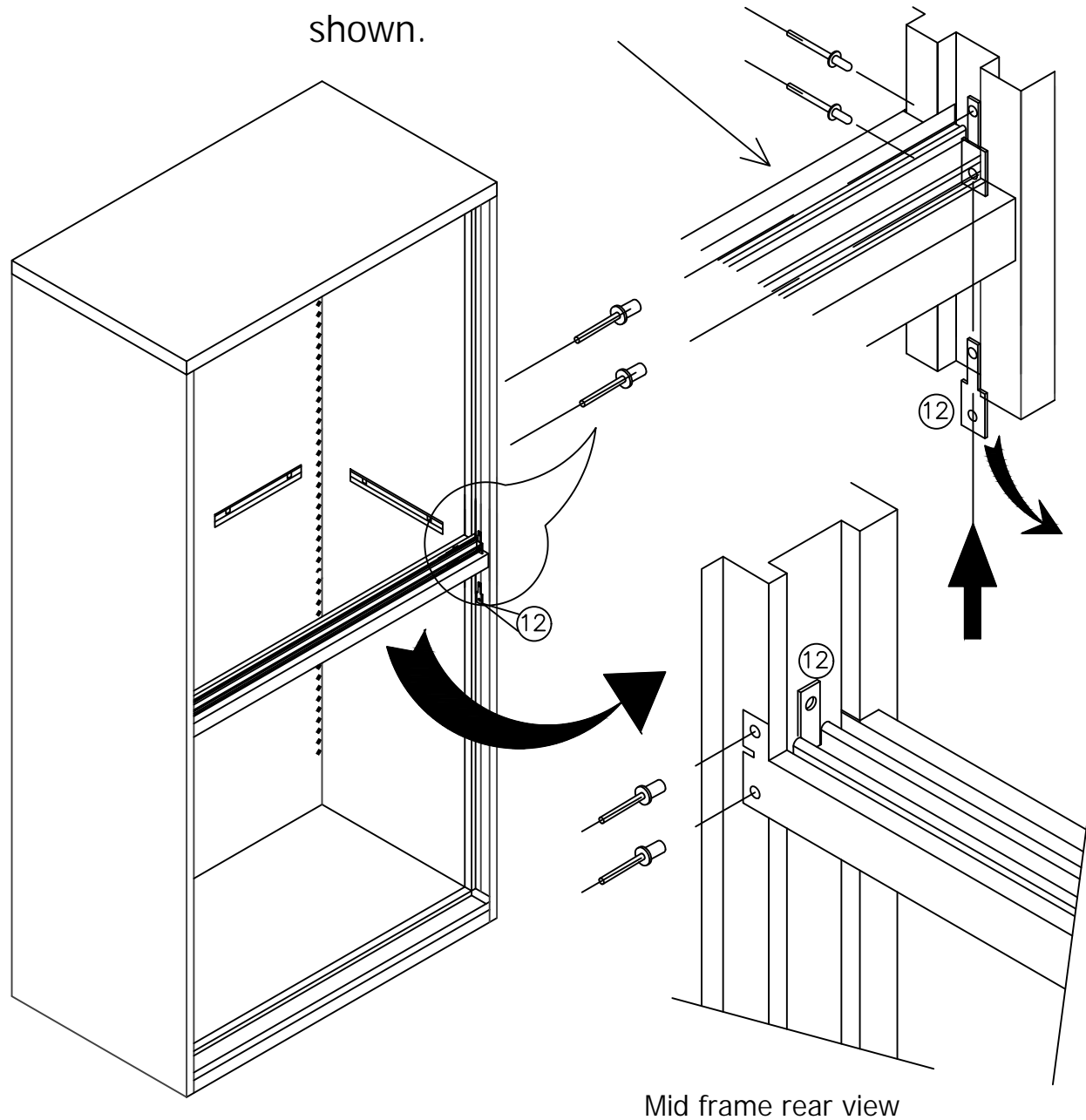
Place the mid frame at the notched & slotted portion of side stiffener.

Then insert the mid frame as shown.

MID FRAME FIXING

Rivet the mid frame as shown.

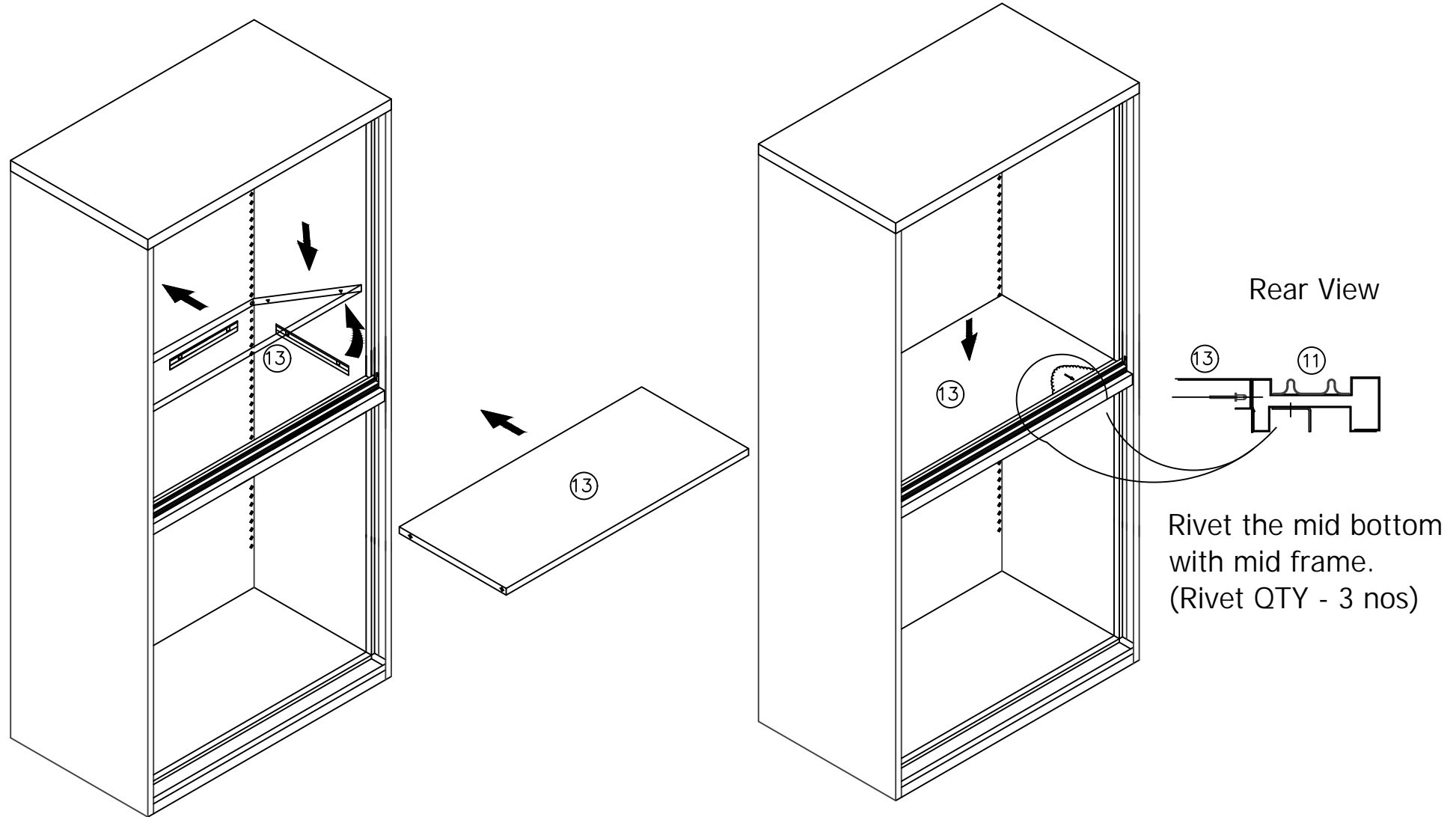
Mid frame top side view



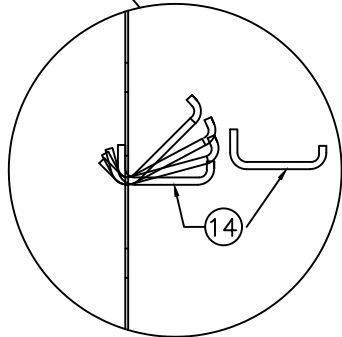
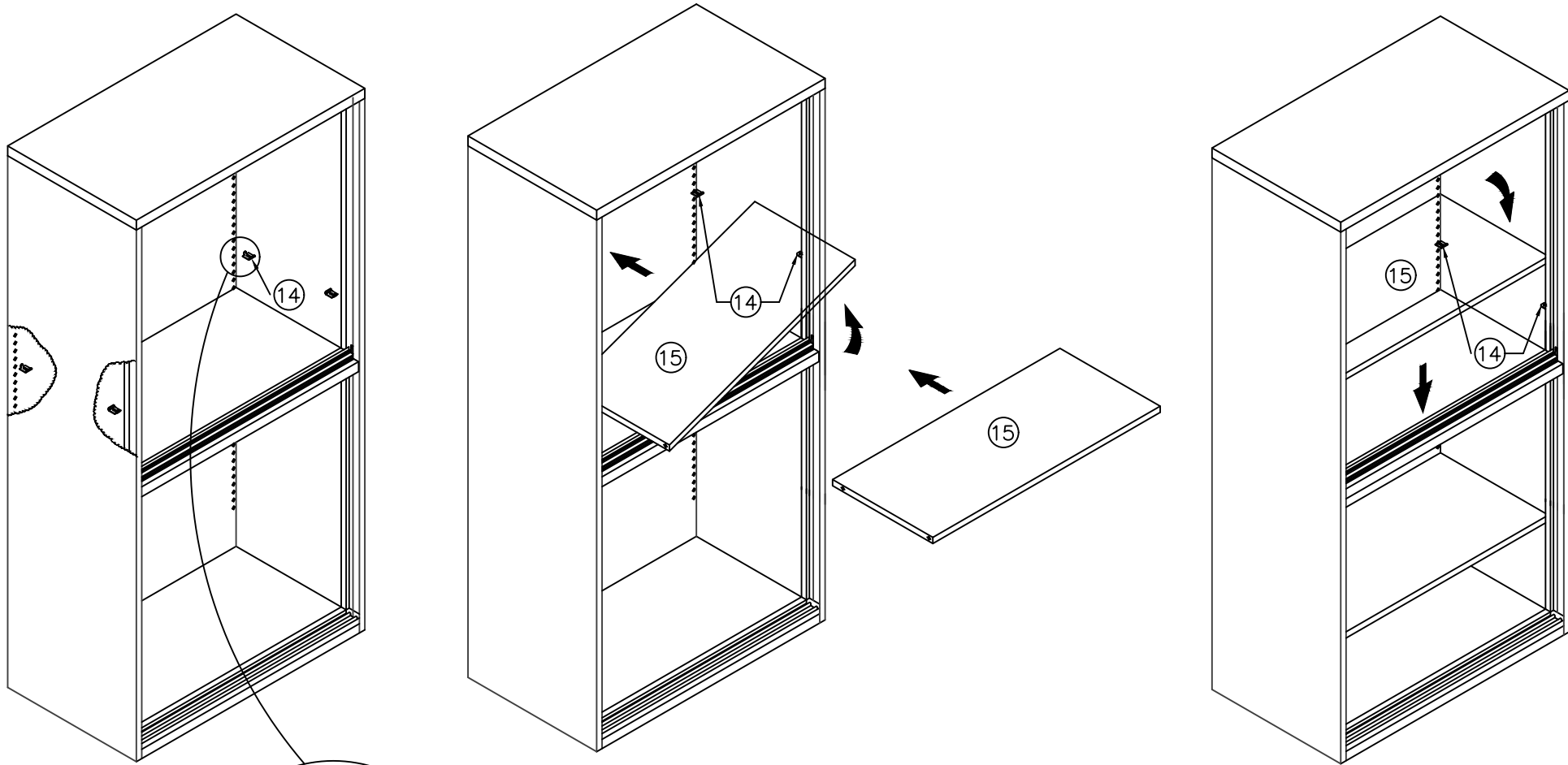
Insert the mid frame supporting BKT from the bottom.

Mid frame rear view

MID BOTTOM FIXING

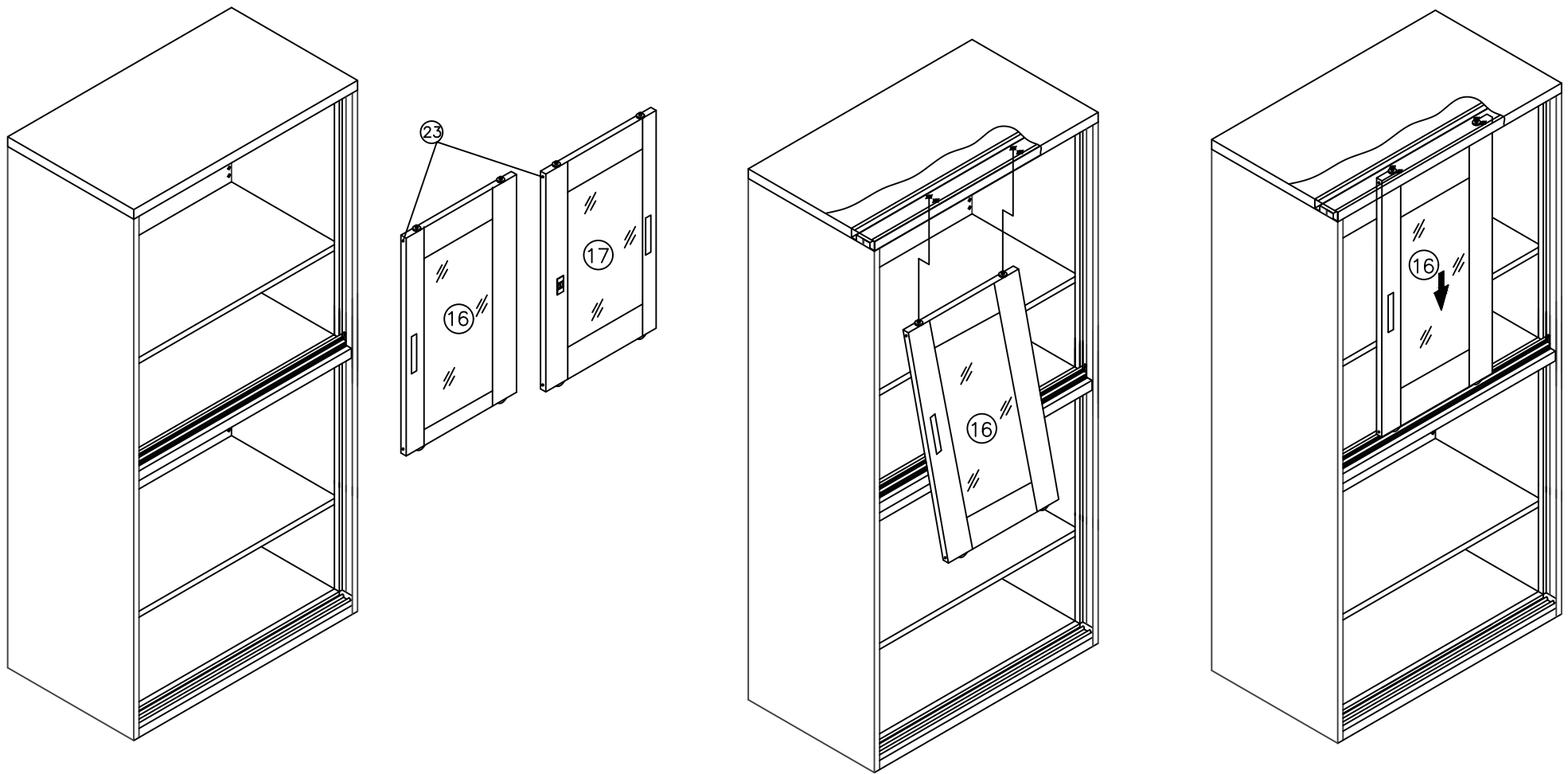


Fix the mid bottom into the side & back Panel offsets as shown.

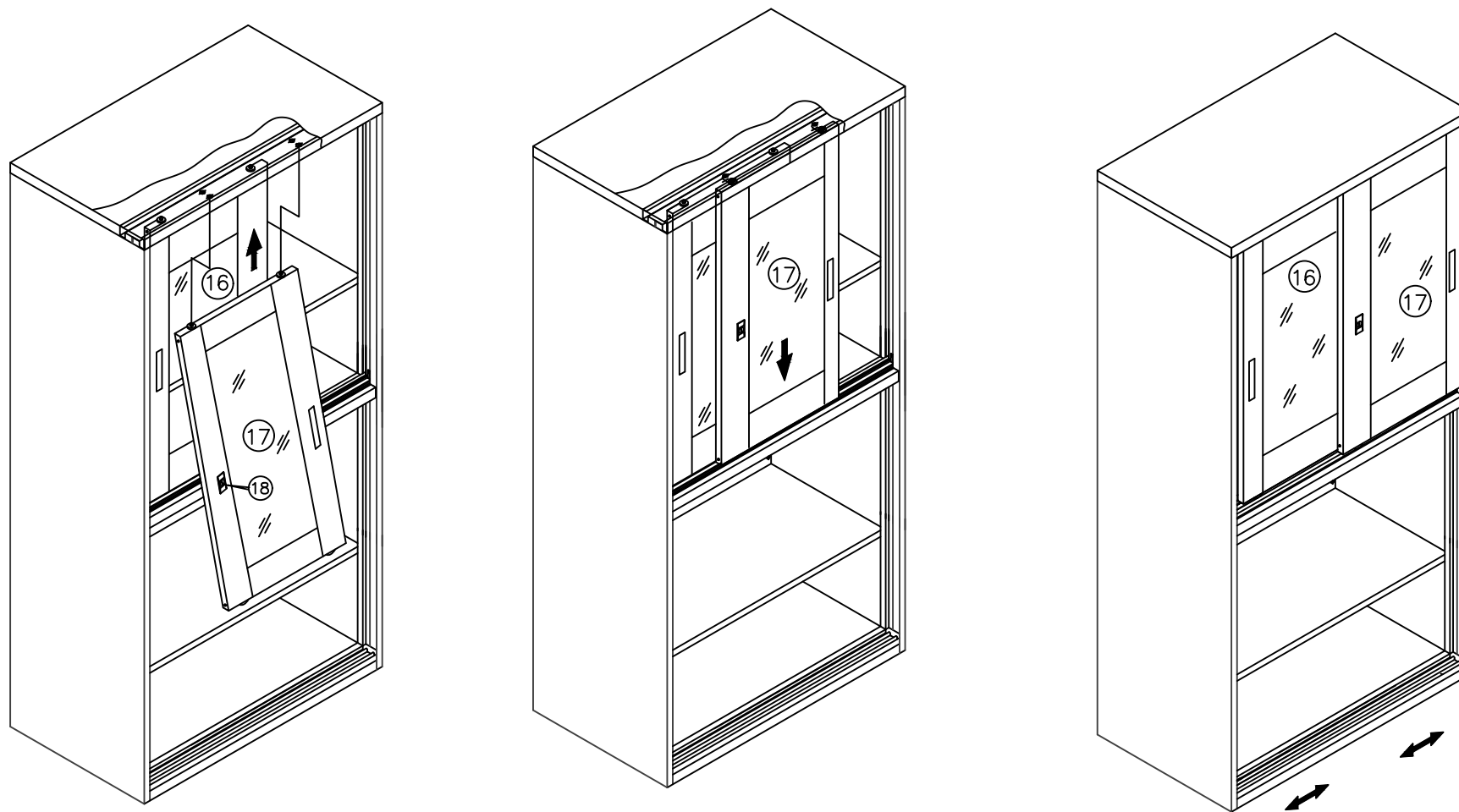


Insert the four shelf support brackets at appropriate height in back panel & side stiffener.

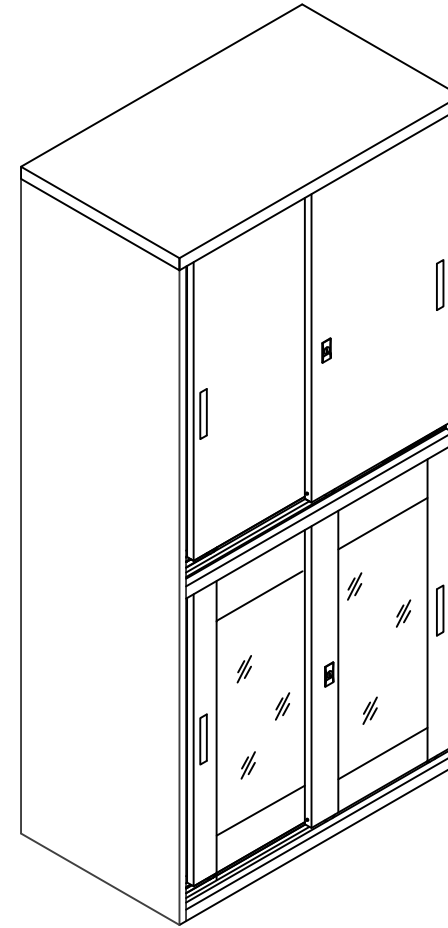
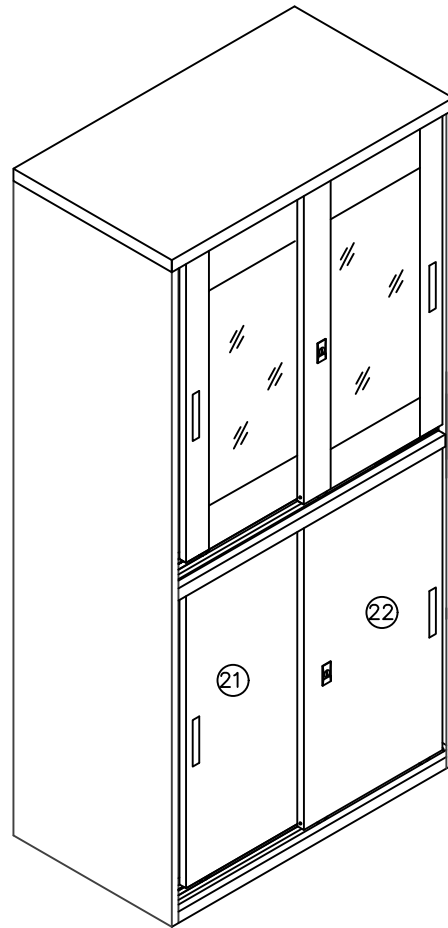
Place the shelf on shelf supports.



Insert door LH in the rear guide by passing the top roller in to the holes provided at the center of the top stiffener. lower the door by locating the bottom rollers on the door rail.  
(Check smooth sliding of door.)



Insert door RH in the front guide by passing the top roller in to the holes provided at the center of the top stiffener. Lower the door by locating the bottom rollers on the door rail. (Check smooth sliding and proper locking of the doors.)



Follow the glass door instruction  
for the steel door also.