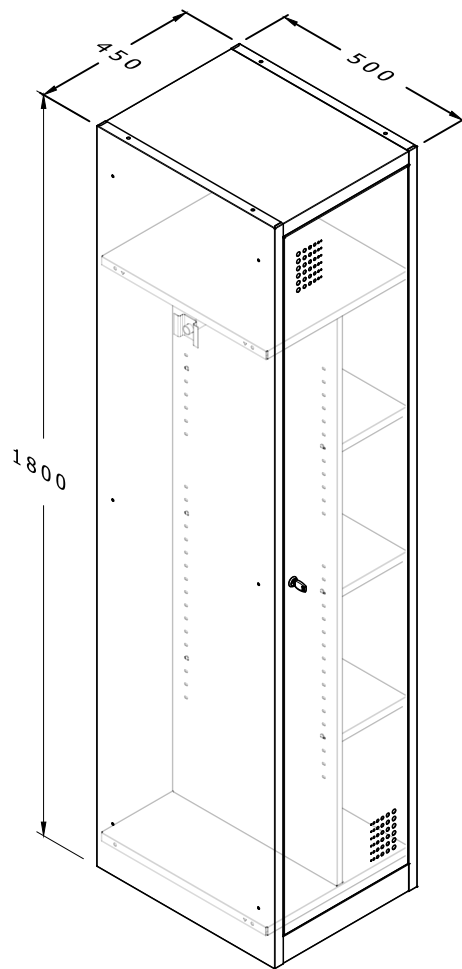


ASSEMBLY INSTRUCTIONS FOR LC1 PARTITION & HALF ADJUSTABLE SHELF

1800HX450WX500D



Part No.	Part Name	Qty. /Unit
1	Top Panel	1
2	Back Panel	1
3	Left Side Panel	1
4	Right Side Panel	1
5	Frame	1
6	Bottom Panel	1
7	Partition Panel	1
8	Top Fix Shelf	1
9	Hanger Rod	1
10	Coat Hook	1
11	Shelf Support Bracket (4 Pcs per Half Shelf)	12
12	Adjustable Half Shelf	3
13	Door Panel	1
14	Rubber Buffer (2 Pcs per Door)	2
15	Lock	1
16	Hinge Pin (3 Pcs per Door)	3
17	M4 Pan Head Phillips Drive Screw (6 Pcs per Add-on Unit)	6
18	M4 Nut (6 Pcs per Add-on Unit)	6
19	Hole Plug (6 Pcs per Unit)	6

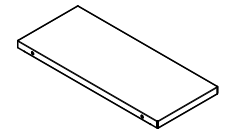
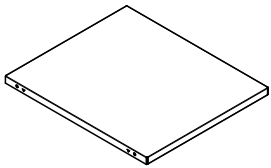
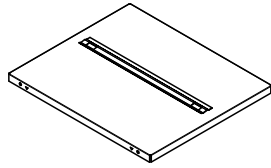
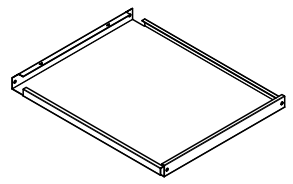
Parts

6

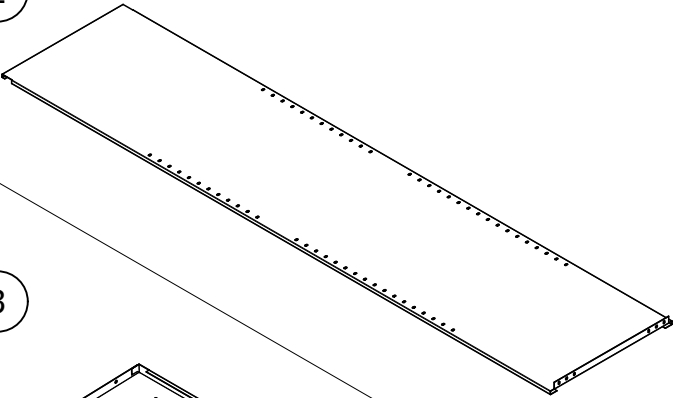
8

12

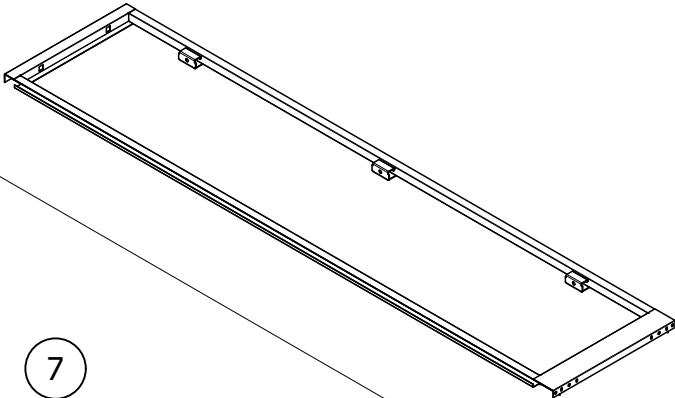
1



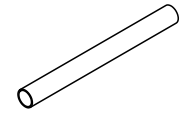
2



5



9



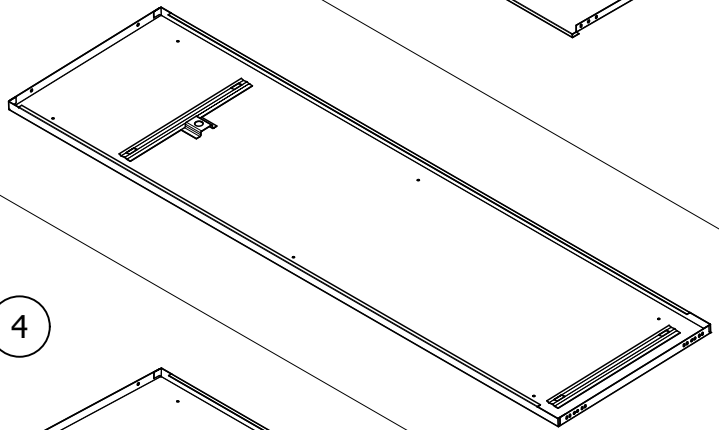
Scale 1:2.5

10

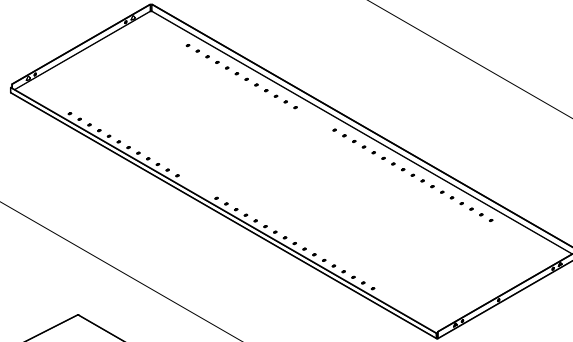


Scale 1:5

3



7



11



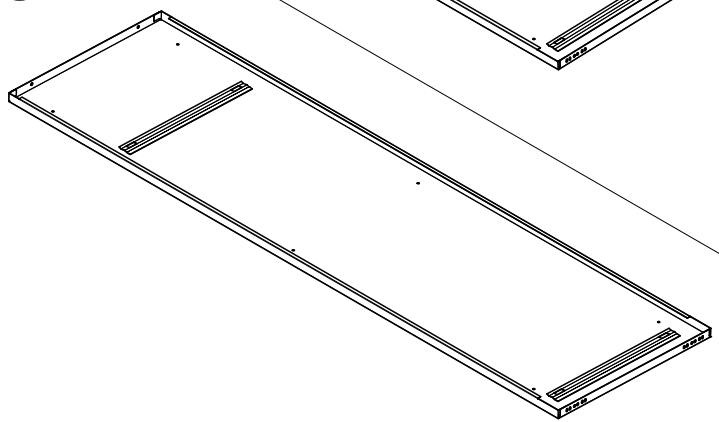
Scale 1:5

14

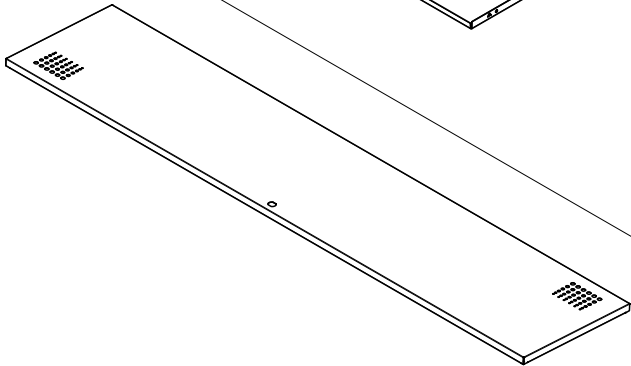


Scale 1:10

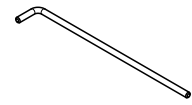
4



13



16



Scale 1:5

17



Scale 1:12.5

18



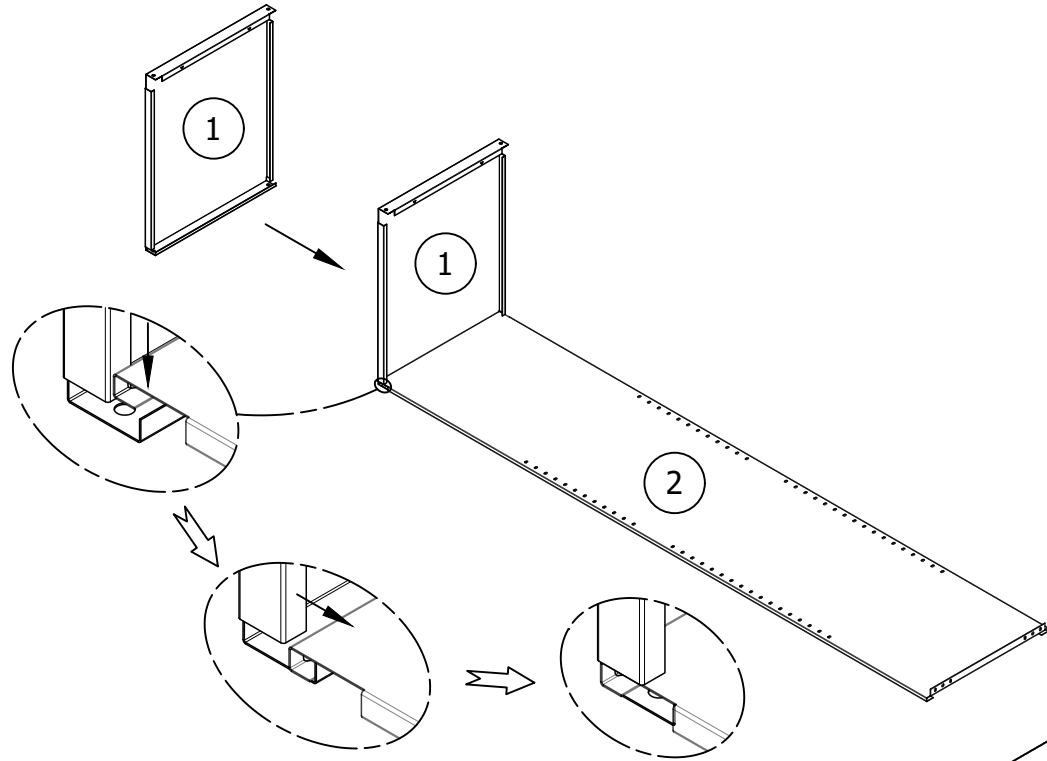
Scale 1:12.5

19

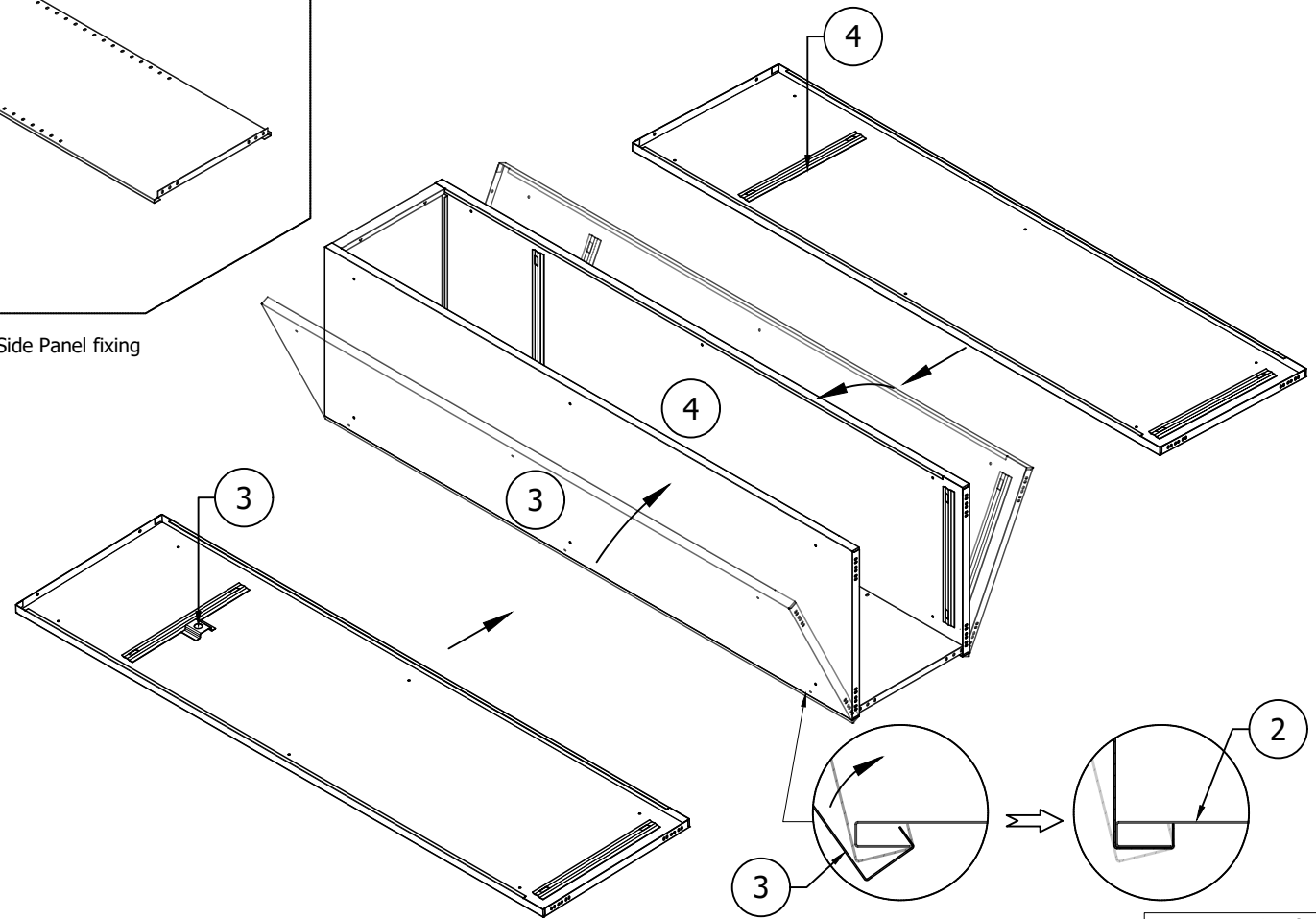


Scale 1:12.5

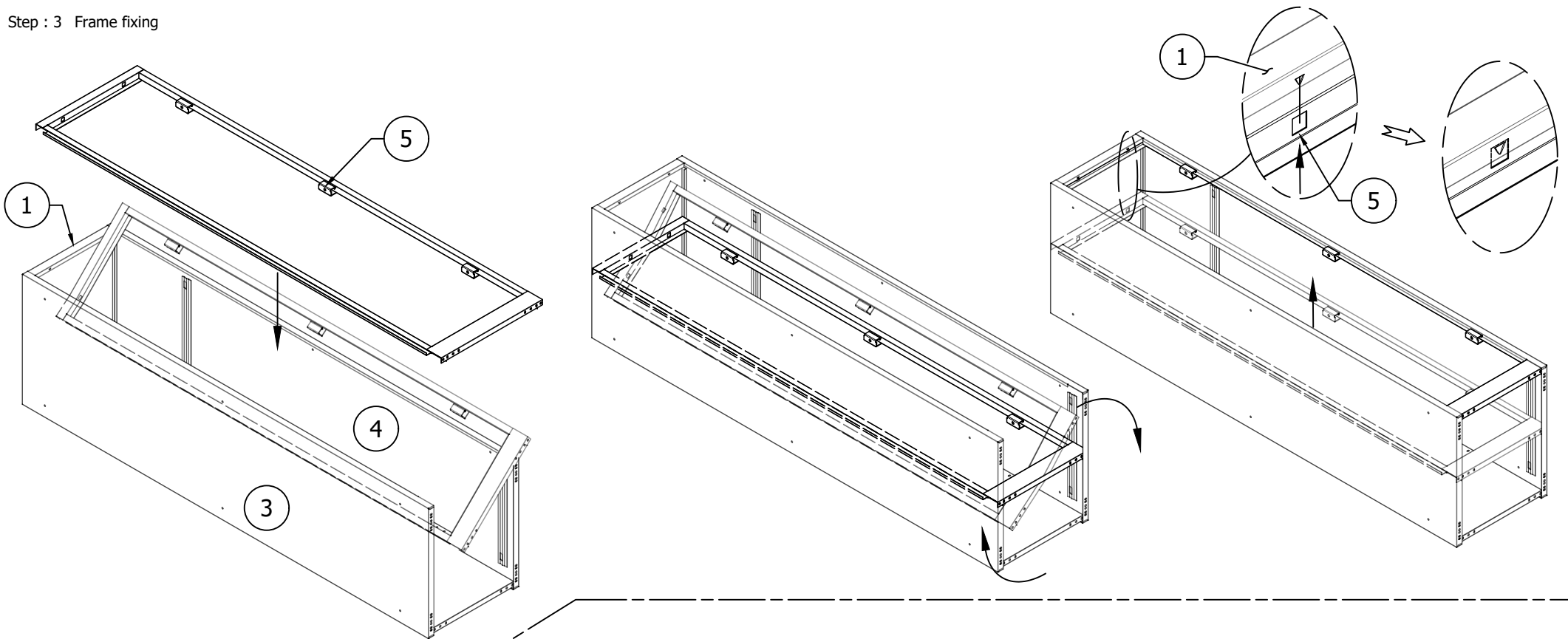
Step : 1 Top Panel and Back Panel fixing



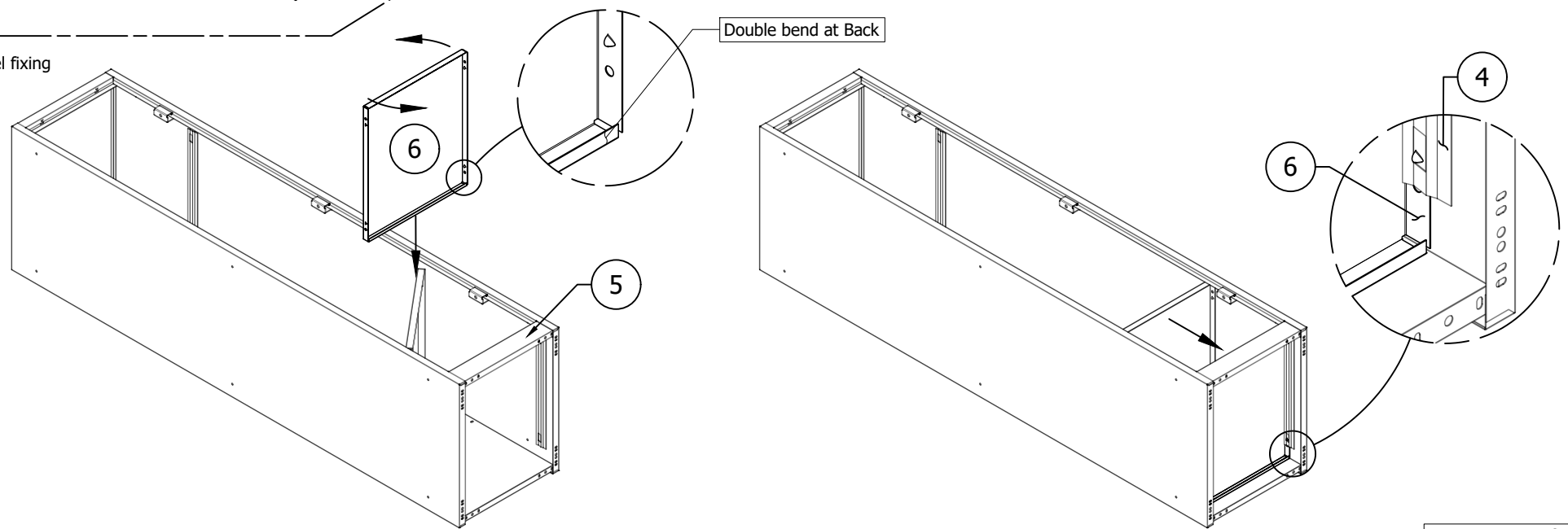
Step : 2 Side Panel fixing



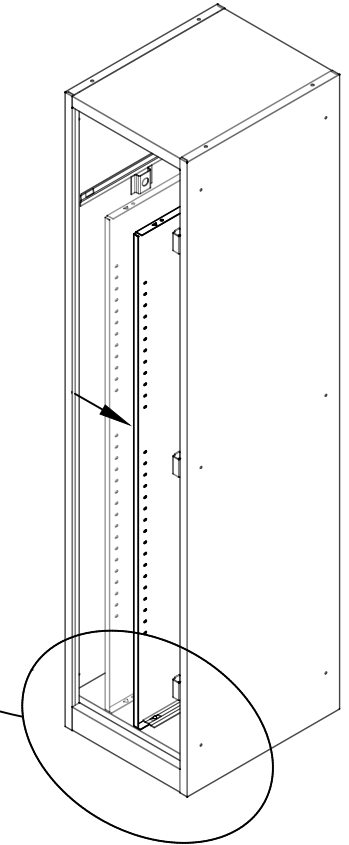
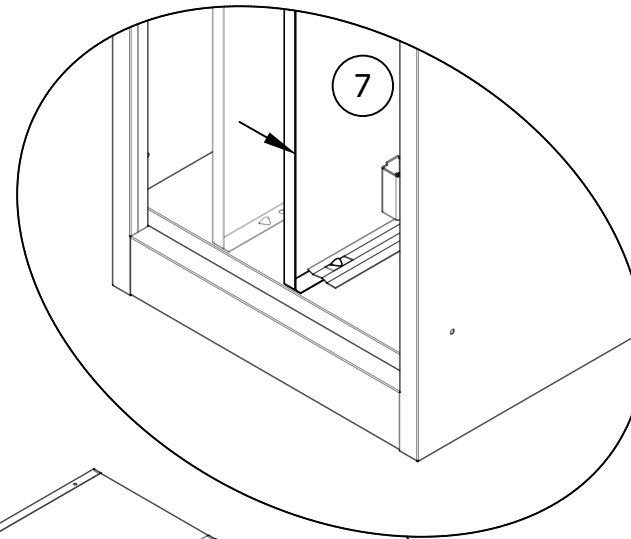
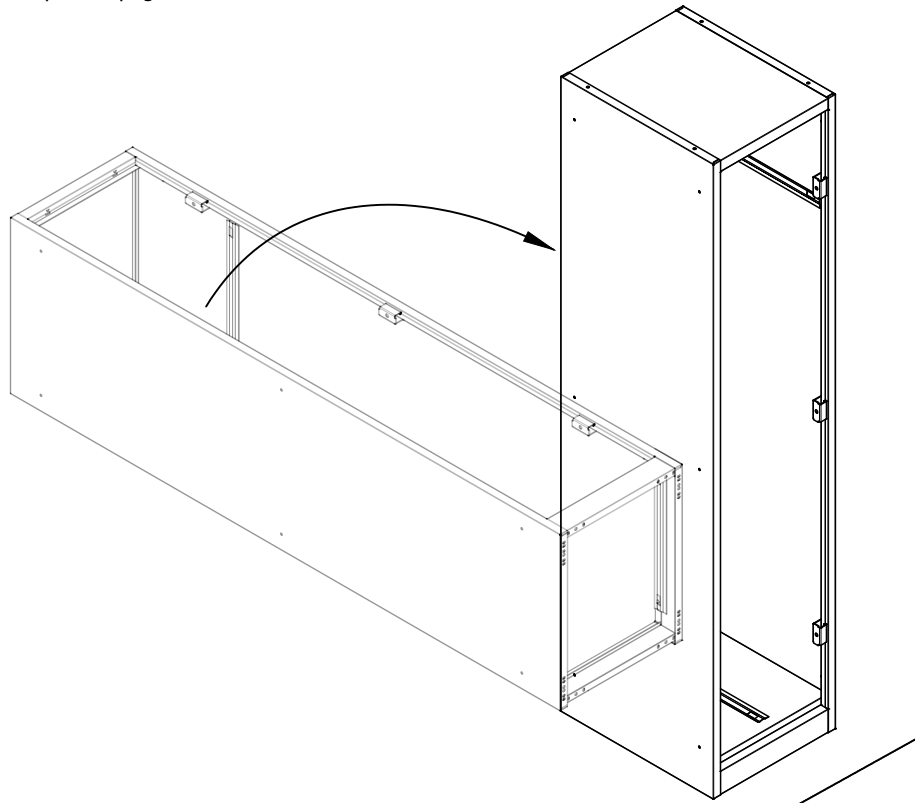
Step : 3 Frame fixing



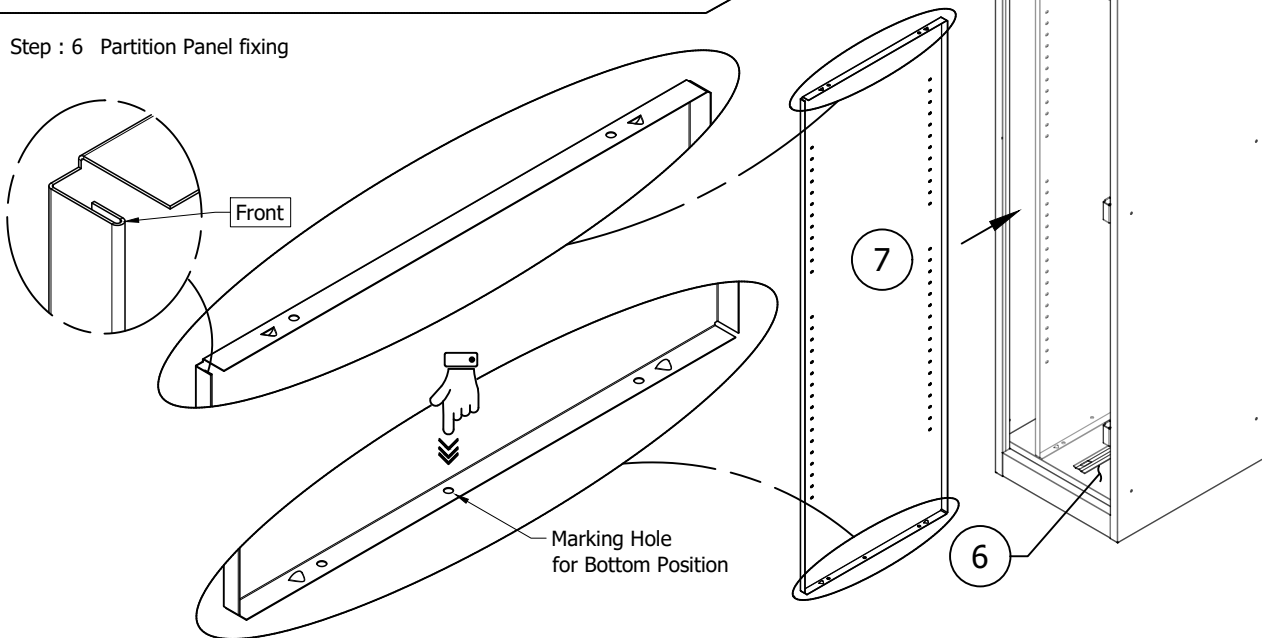
Step : 4 Bottom Panel fixing

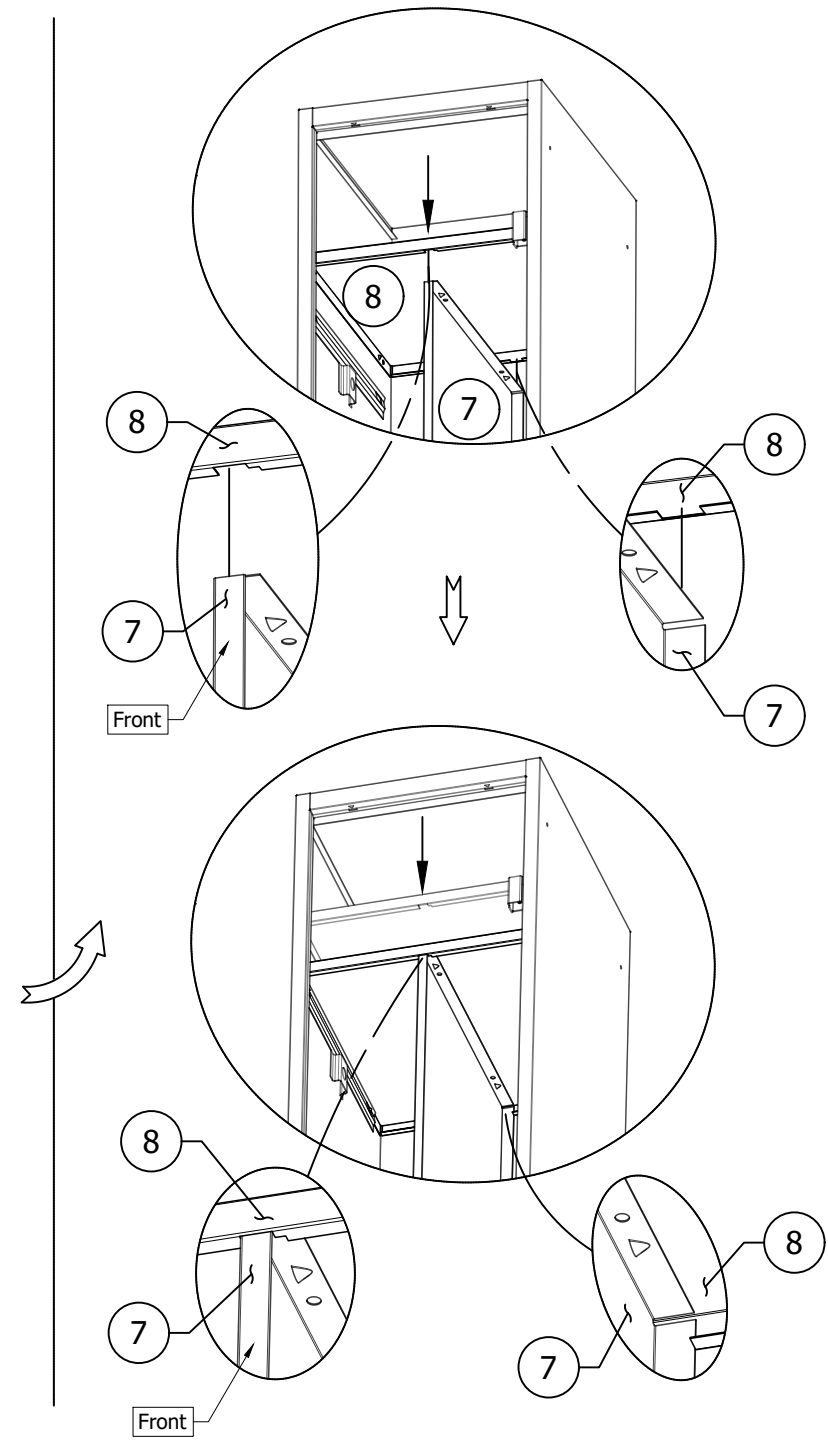
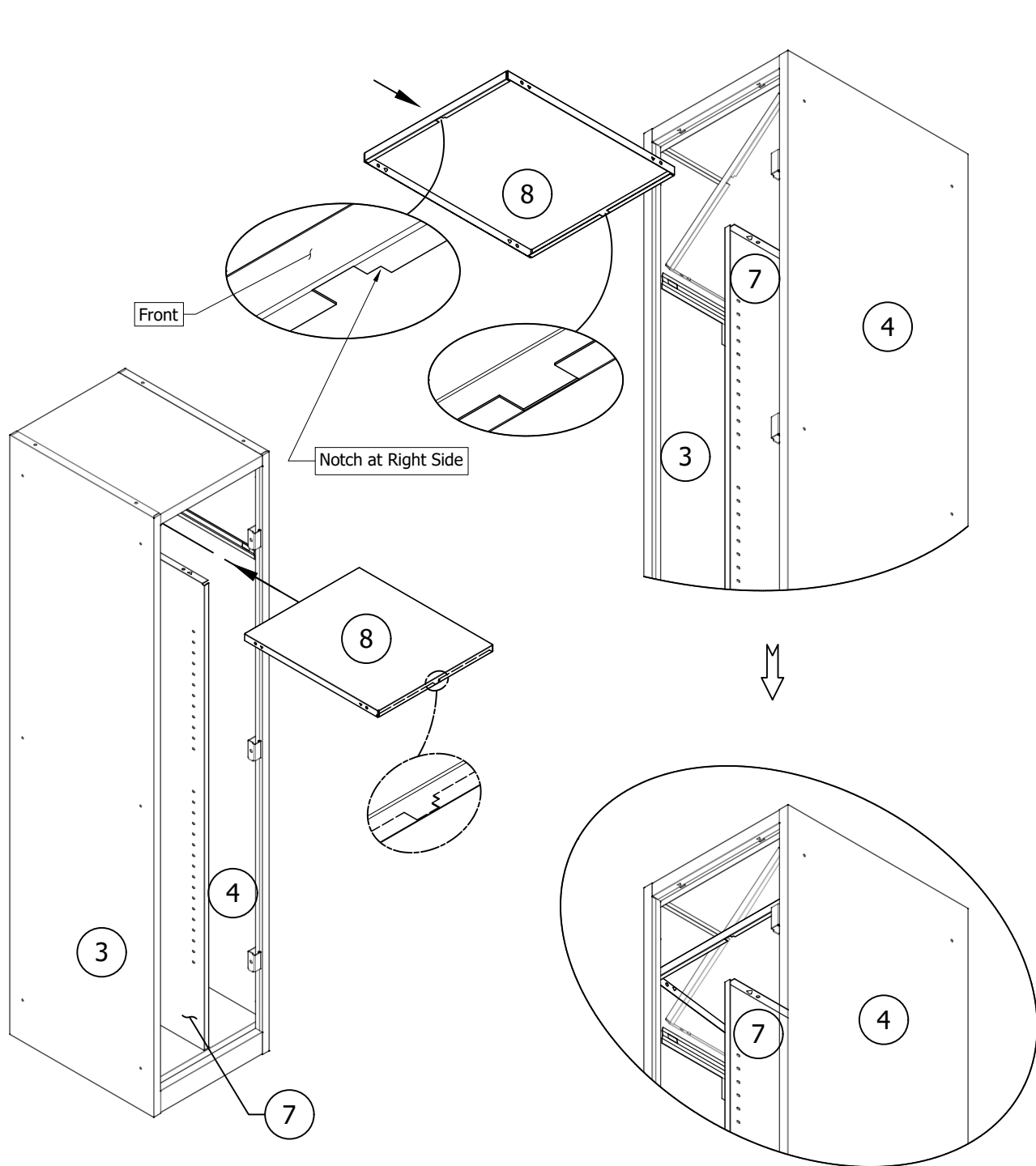


Step : 5 Upright

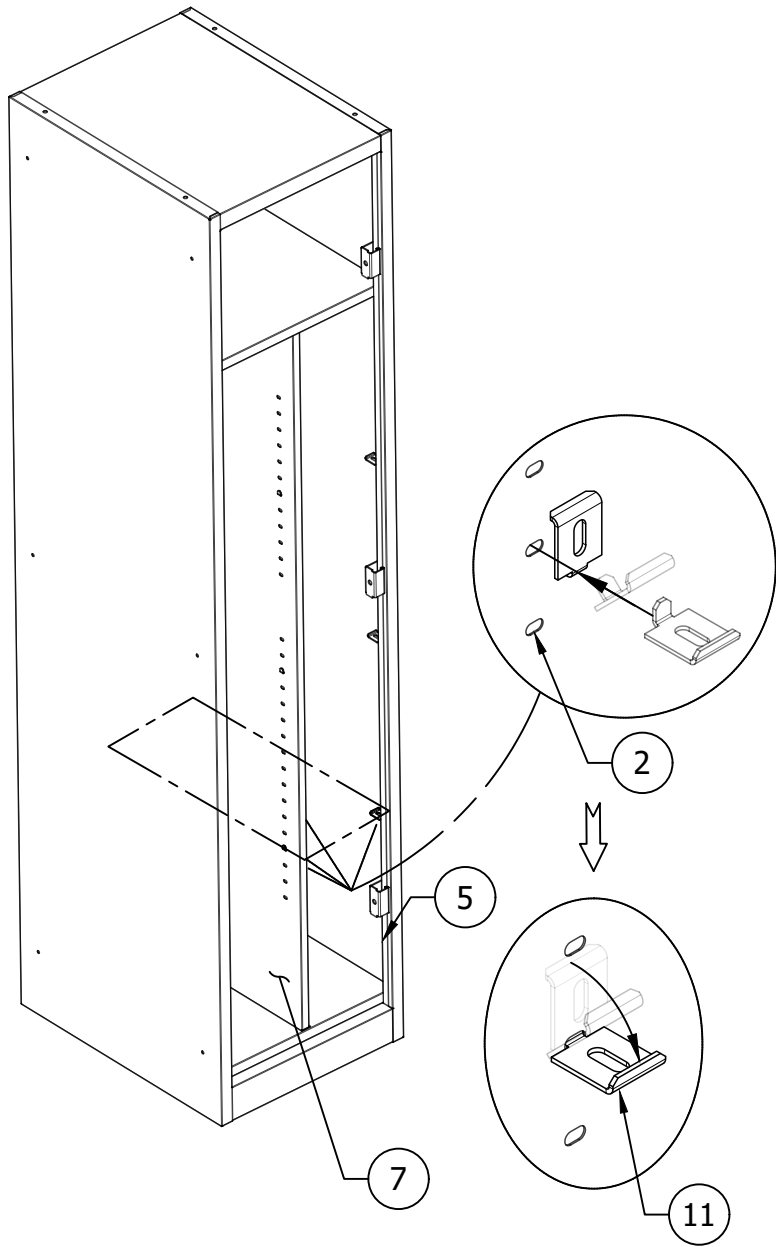


Step : 6 Partition Panel fixing

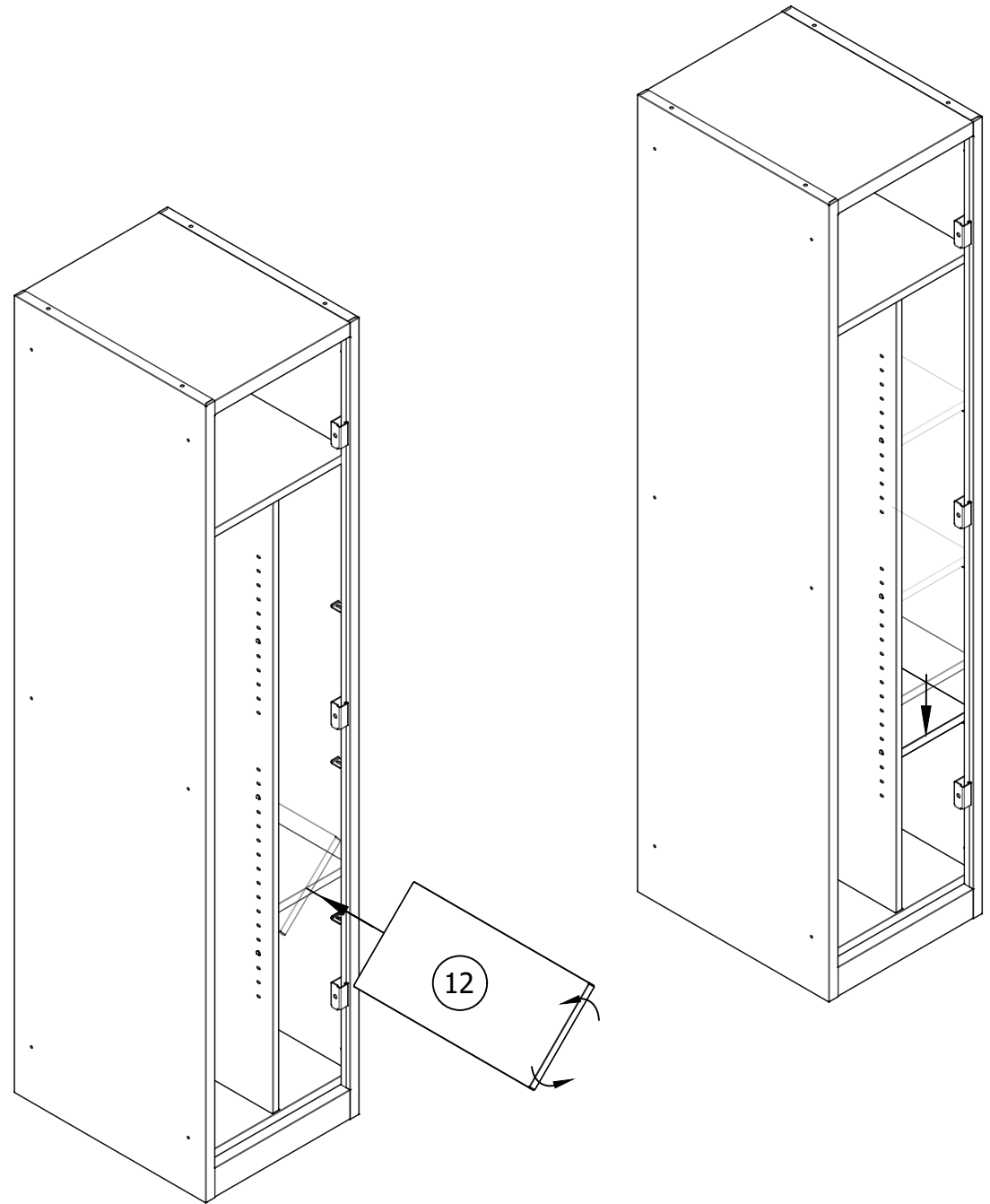




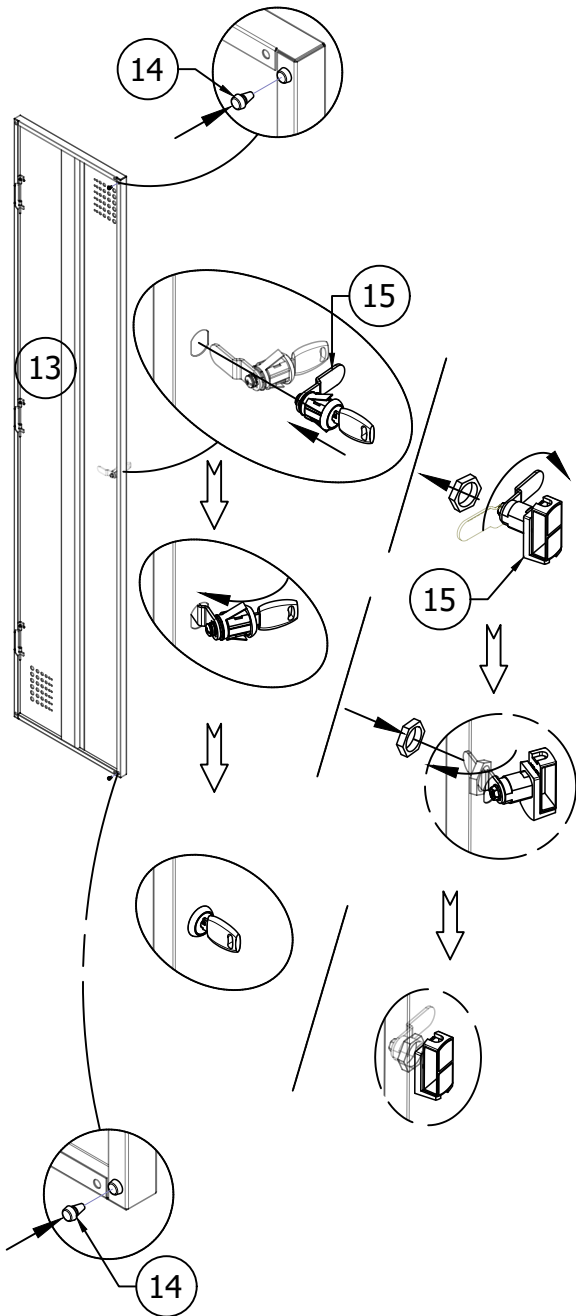
Step : 9 Shelf Support fixing



Step : 10 Adjustable Half Shelf fixing



Step : 11 Rubber Buffer & Lock fixing



Step : 12 Door Panel fixing

