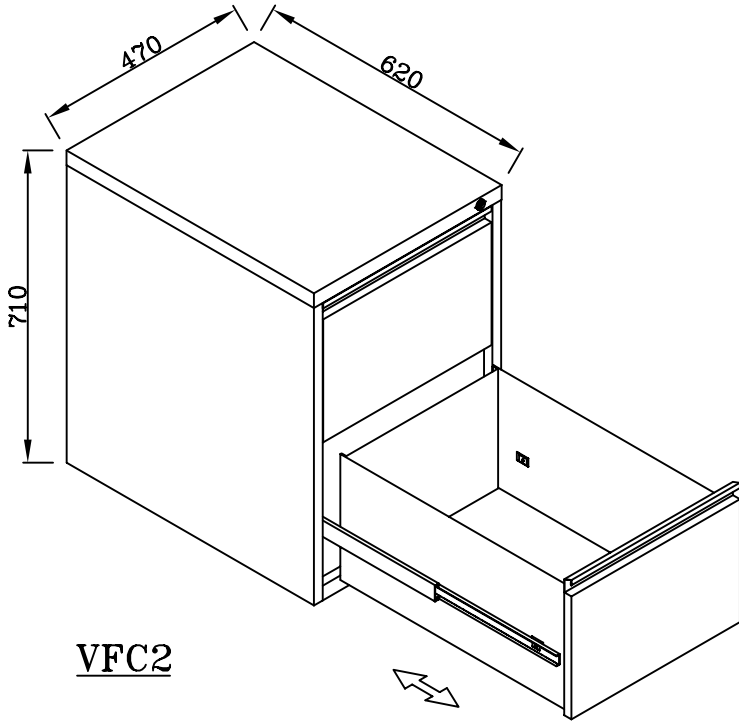


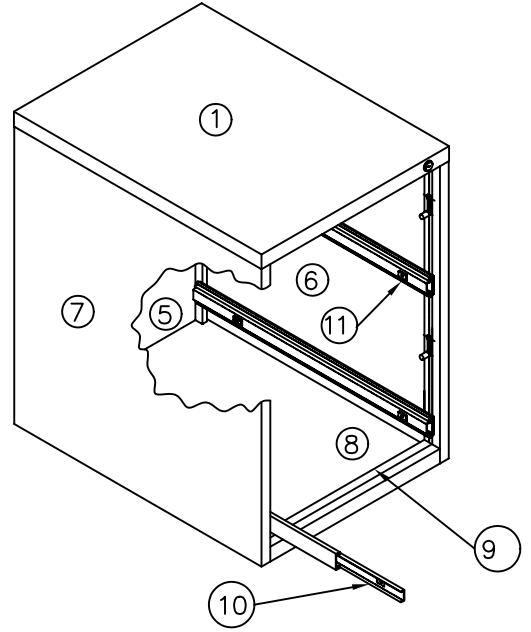
ASSEMBLY INSTRUCTIONS FOR FASTENER FREE VERTICAL FILING CABINET

- * PLEASE STUDY THE ASSEMBLY INSTRUCTIONS CAREFULLY & FAMILIARISE YOURSELF WITH THE PARTS BEFORE ASSEMBLY.
- * TOOLS REQUIRED : WORK AREA AT TABLE TOP HEIGHT LEVEL & SOFT HAMMER.
- * ENSURE THAT ALL THE ITEMS LISTED IN PARTS LIST ARE PRESENT BEFORE ASSEMBLY.

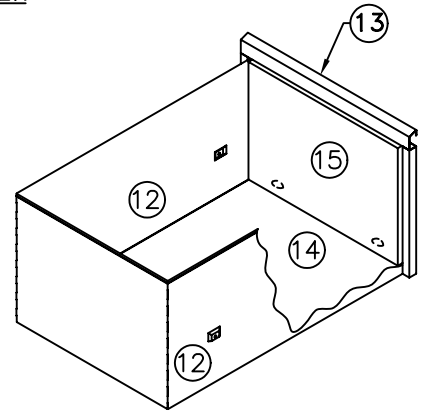
PARTS IDENTIFICATION



CABINET



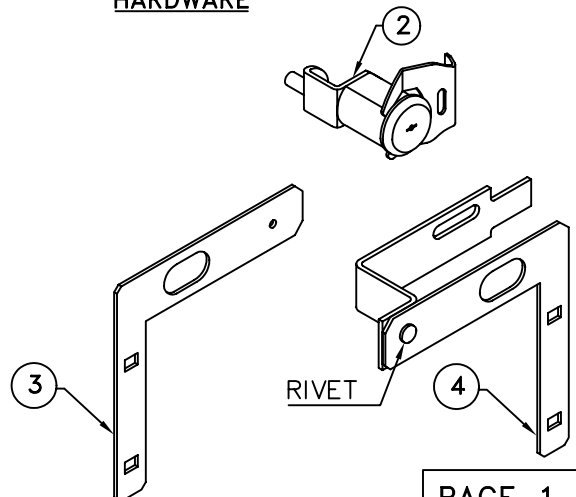
DRAWER

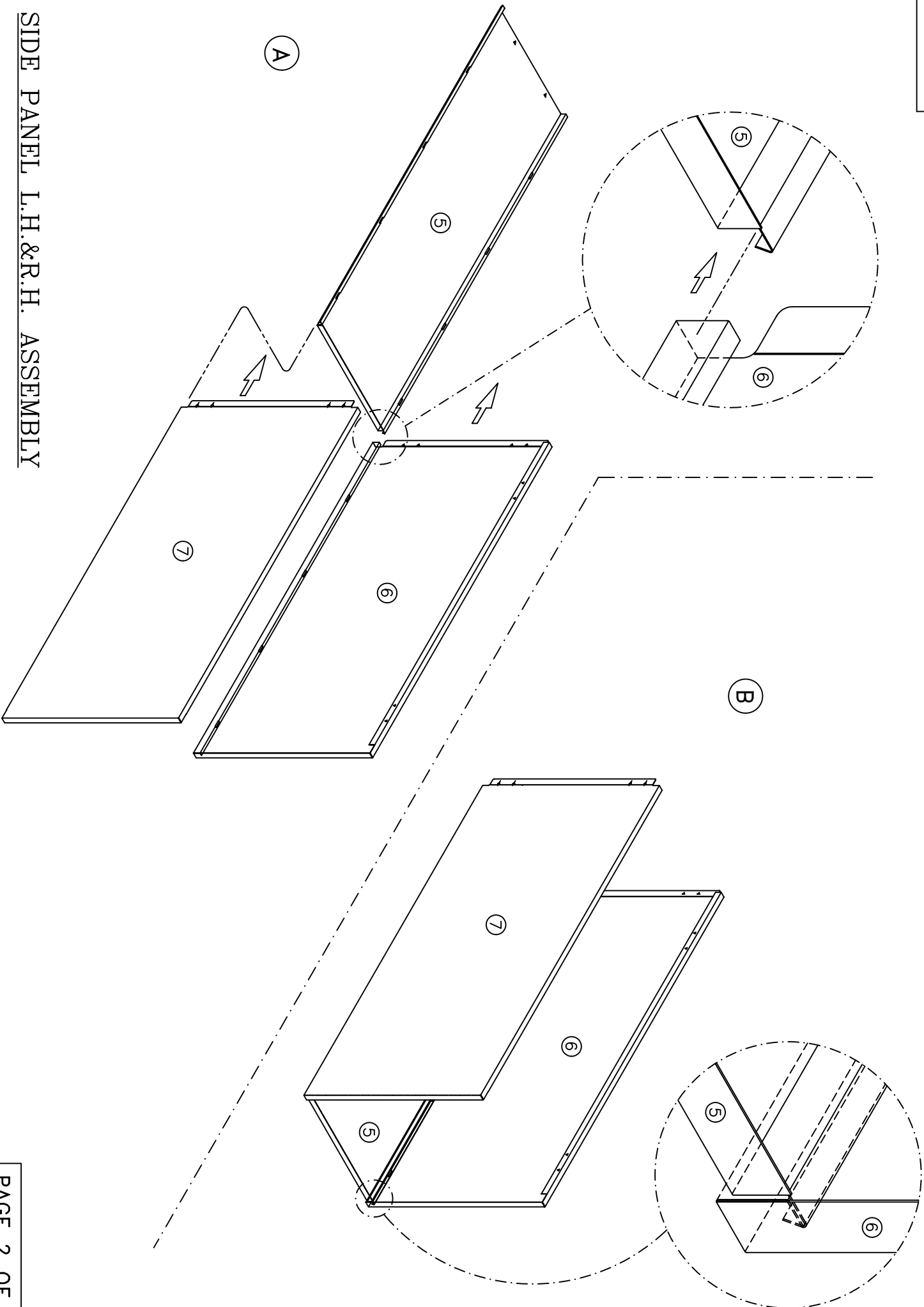


PARTS LIST

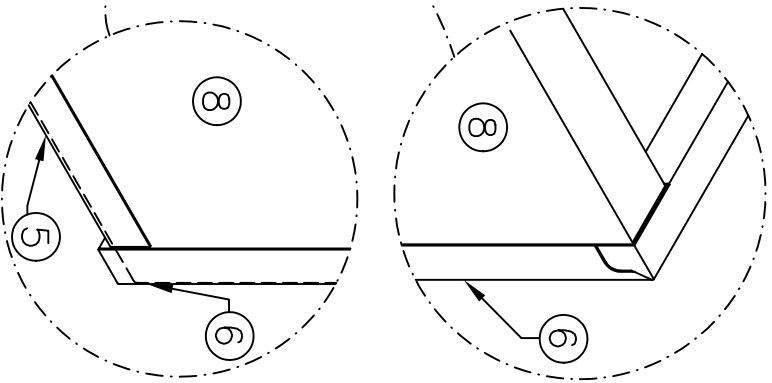
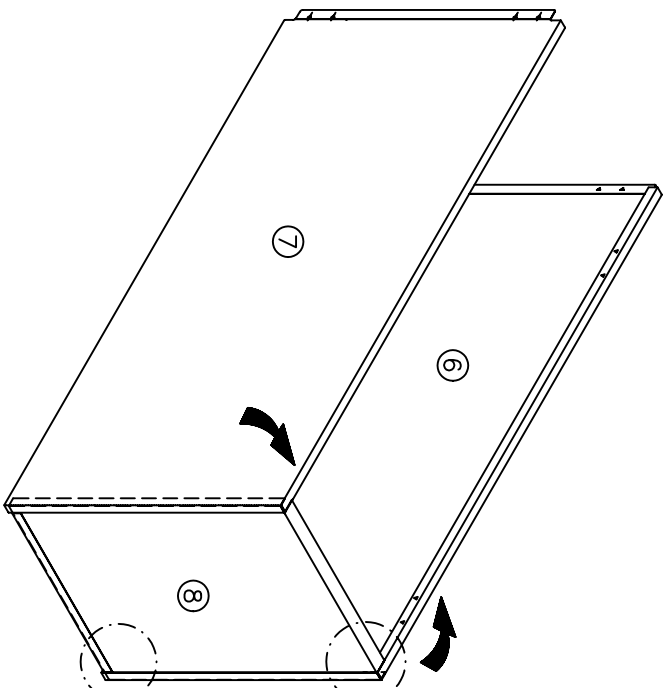
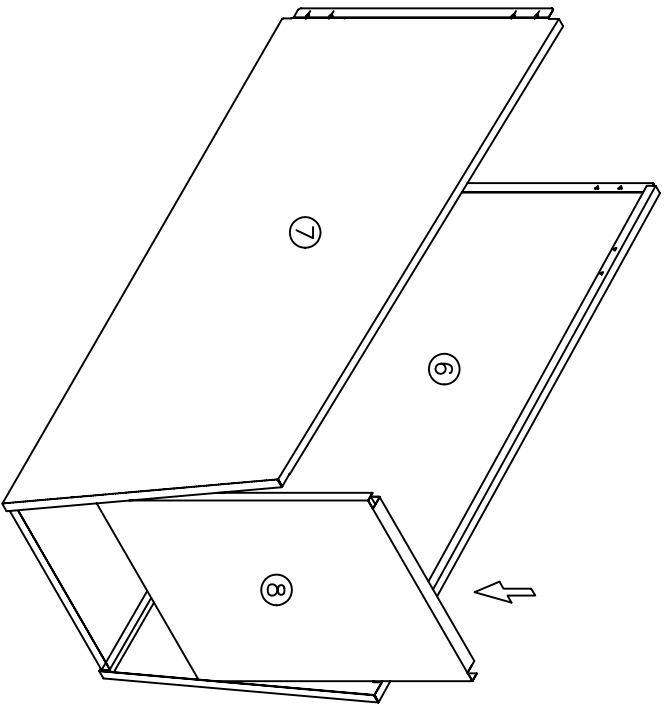
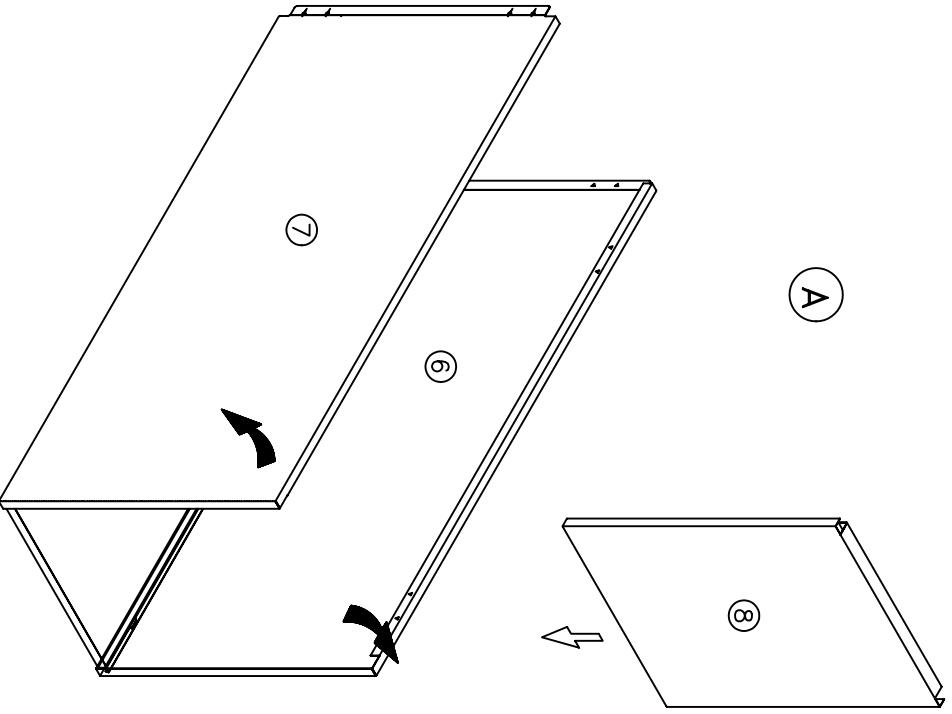
PART NO.	DESCRIPTION	QTY. VFC4	QTY. VFC3	QTY. VFC2
1	TOP PANEL	1	1	1
2	LOCK	1	1	1
3	L.H. SIDE 'L' PIECE	1	1	1
4	R.H. SIDE 'L' PIECE WITH LOCK STRIP	1	1	1
5	BACK PANEL	1	1	1
6	R. H. SIDE PANEL	1	1	1
7	L. H. SIDE PANEL	1	1	1
8	BOTTOM PANEL	1	1	1
9	'U' FRAME & LOCKING CHANNEL ASSEMBLY	1	1	1
10	L. H. SLIDE	4	3	2
11	R. H. SLIDE	4	3	2
12	DRAWER SIDE BACK SIDE	4	3	2
13	DRAWER FRONT	4	3	2
14	DRAWER BOTTOM	4	3	2
15	DRAWER INSIDE COVER	4	3	2

HARDWARE

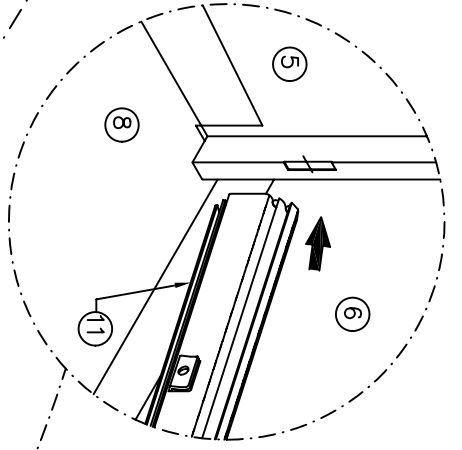




SIDE PANEL, L.H.&R.H. ASSEMBLY

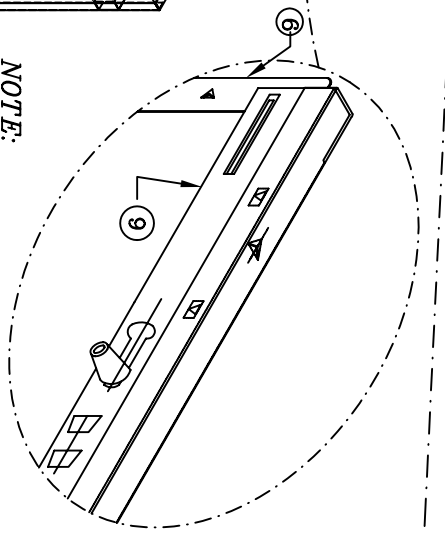
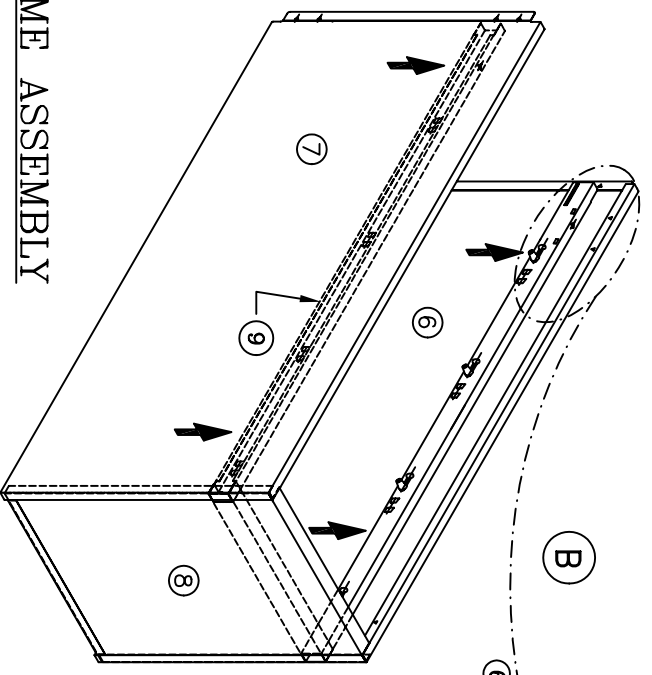
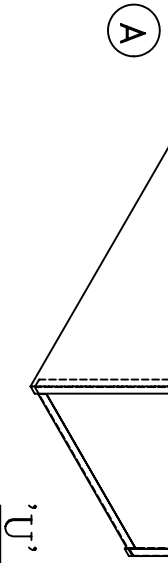
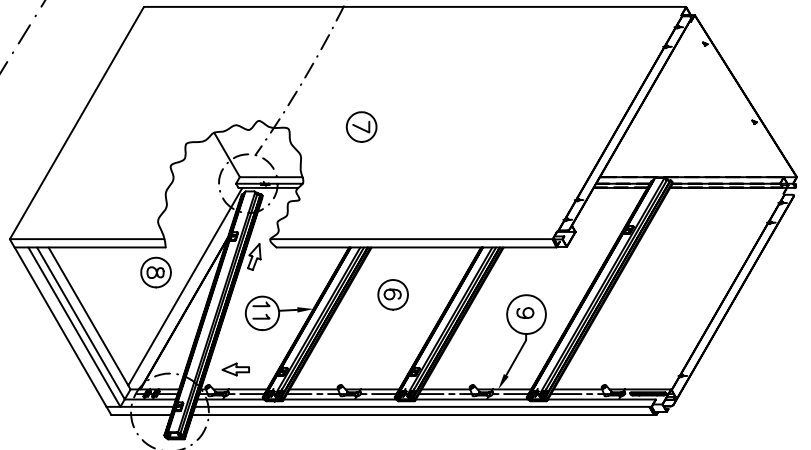


STEP - 4



R.H.&L.H SLIDES ASSEMBLY

STEP - 3

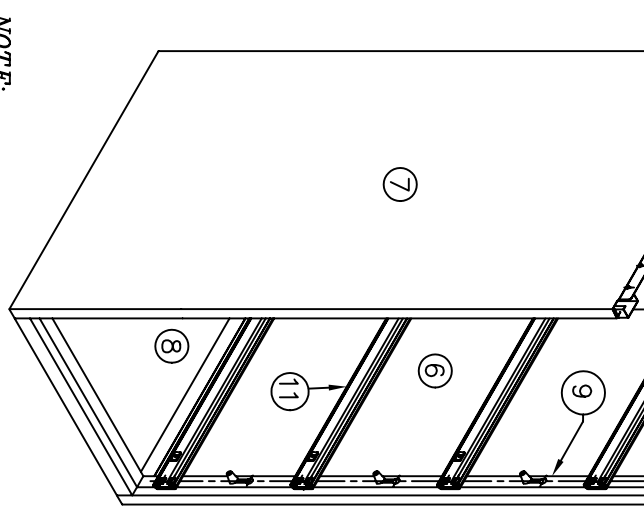
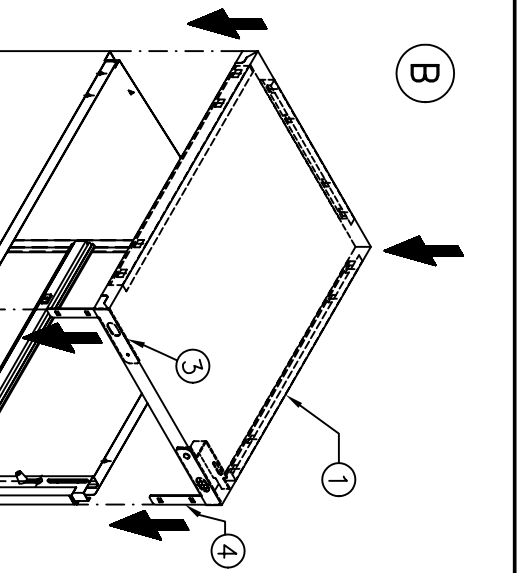
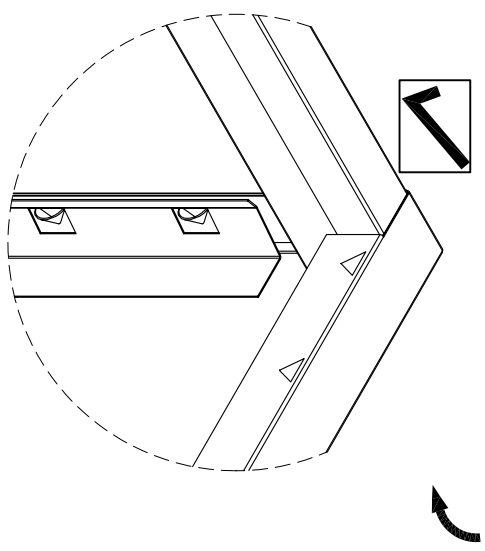
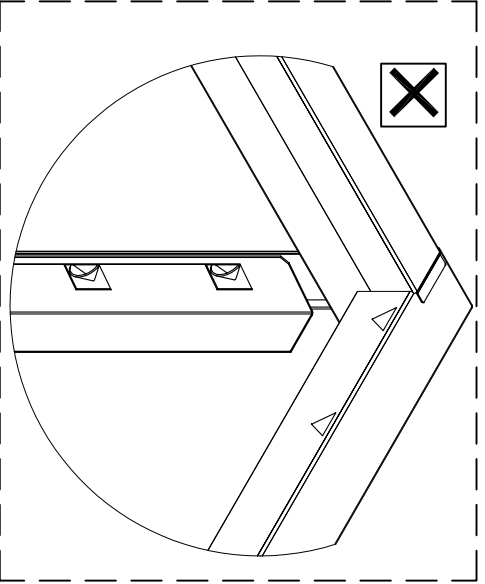
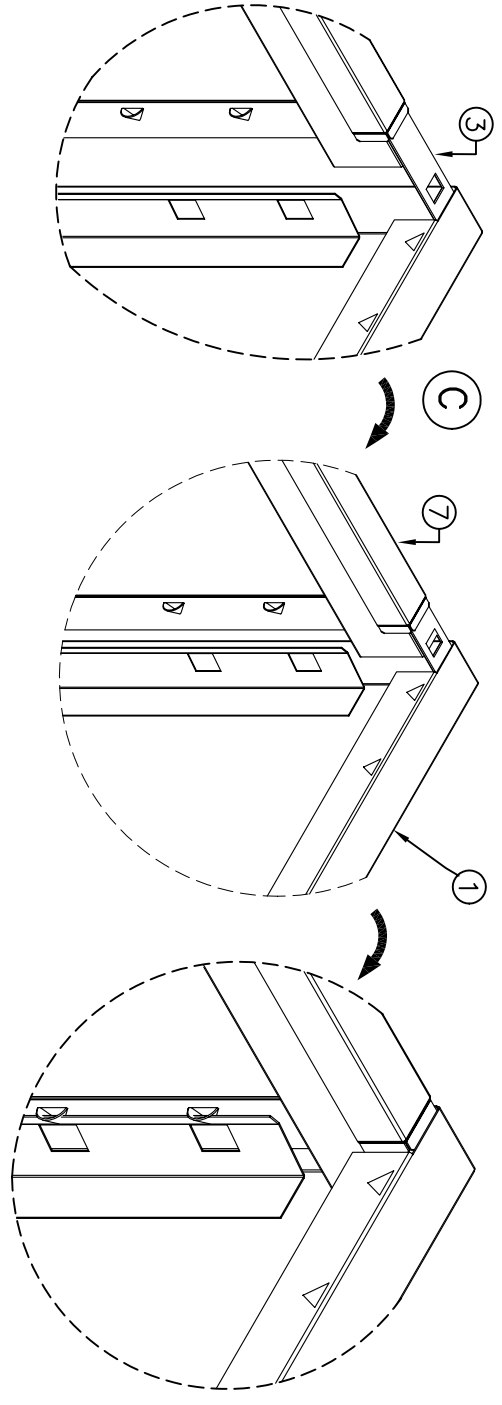
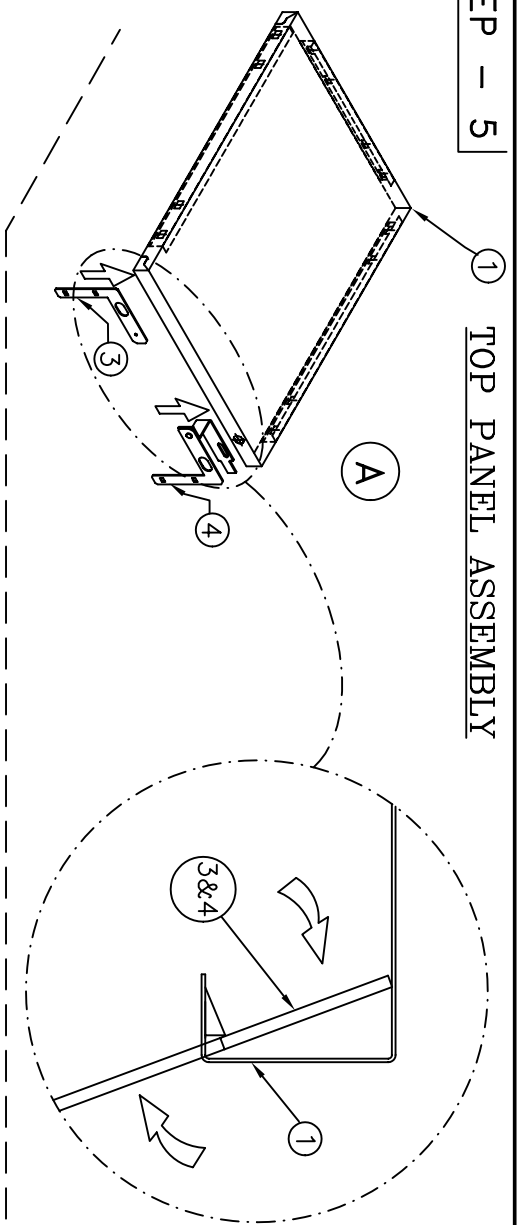


NOTE:

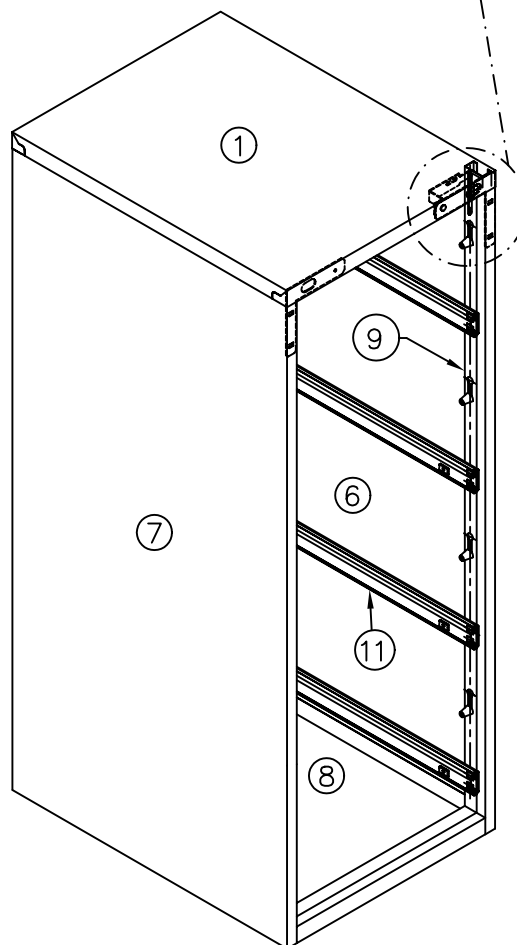
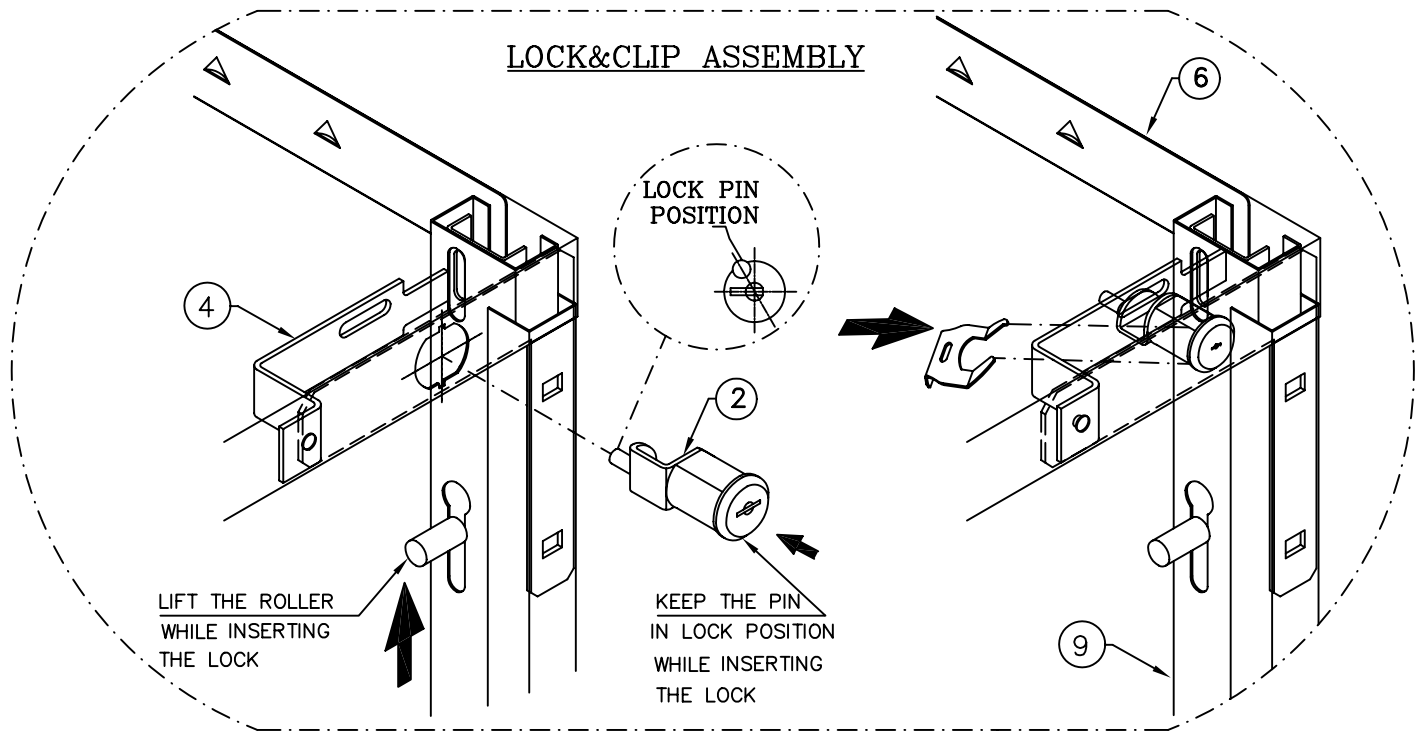
AFTER FIXING 'U' FRAME, ENSURE R.H.&L.H. SIDE PANEL FRONT LANCINGS ARE HELD BY FRAME SLOTS.

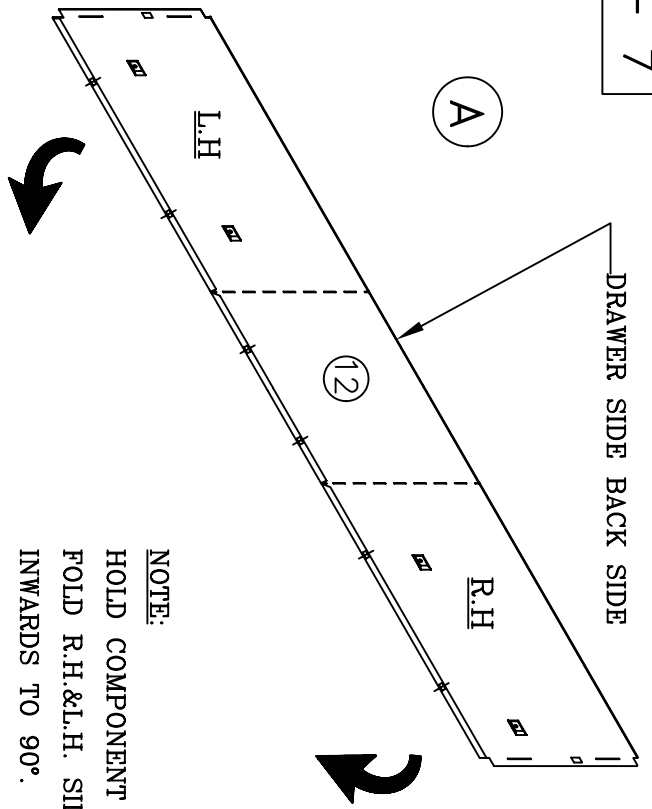
'U' FRAME ASSEMBLY

STEP - 5 TOP PANEL ASSEMBLY

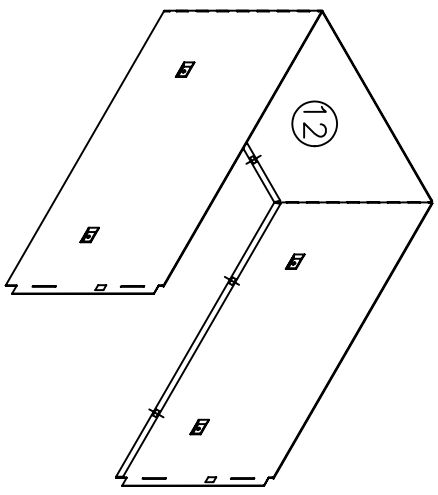


NOTE:
 BEFORE SIDE PANEL R.H.&L.H,
 BACK PANEL LANCINGS ARE
 SNAPPED ON WITH TOP PANEL
 RETAINER STRIP, ENSURE
 SIDE PANEL FRONT&BACK
 NOTCHED EDGES ARE COVERED
 BY TOP PANEL.

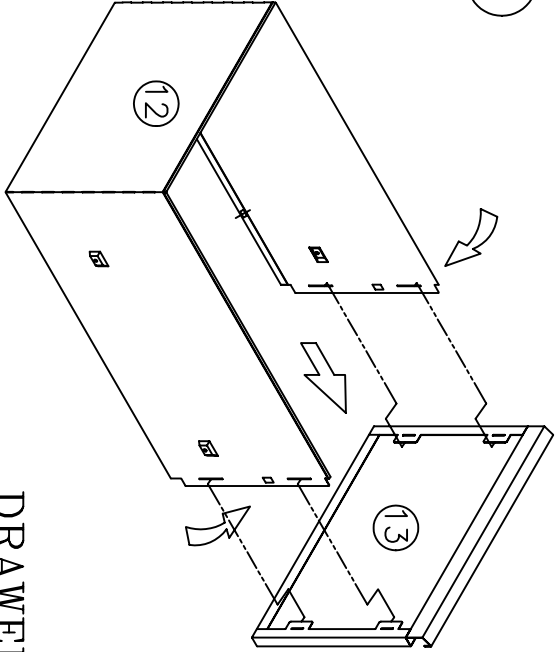




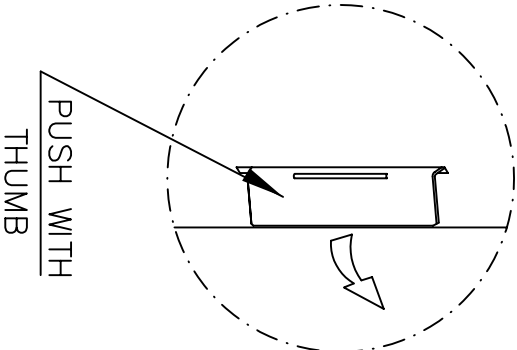
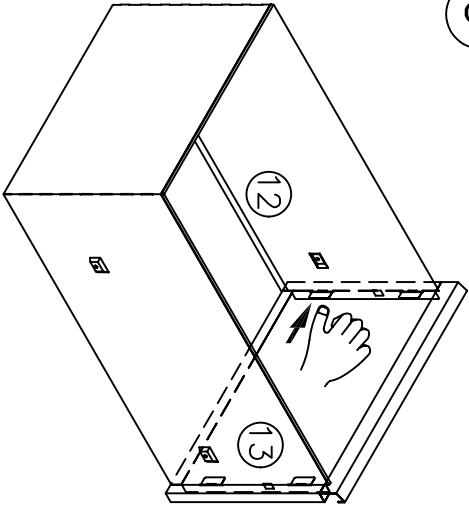
NOTE:
HOLD COMPONENT AT BACK AND
FOLD R.H.&L.H. SIDE PART
INWARDS TO 90°.



B



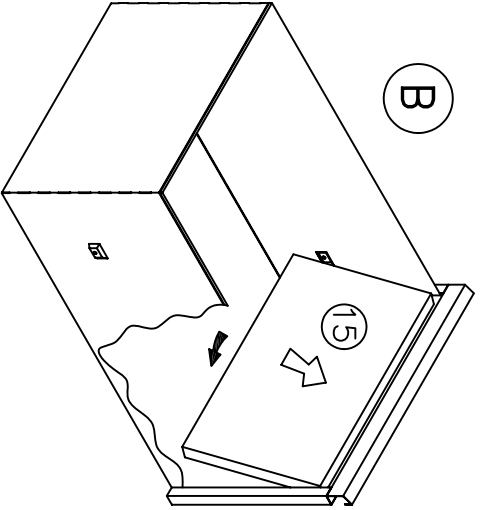
C



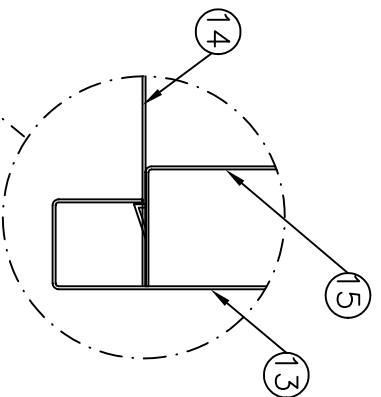
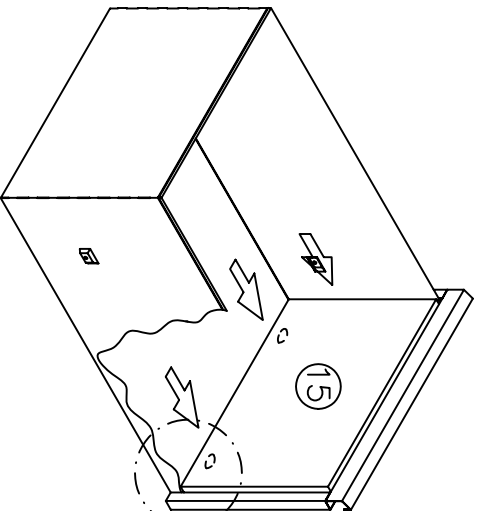
DRAWER FRONT ASSEMBLY

DRAWER INCOVER ASSEMBLY

(B)

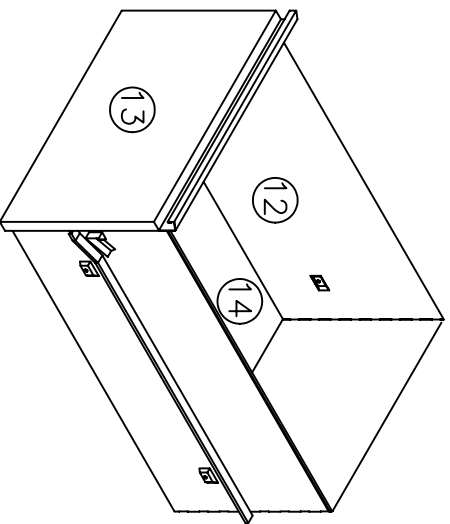
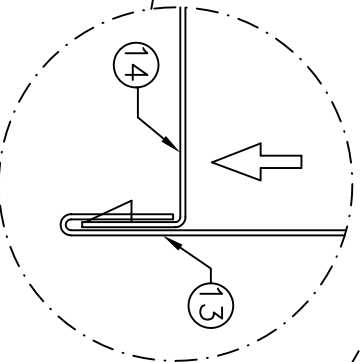
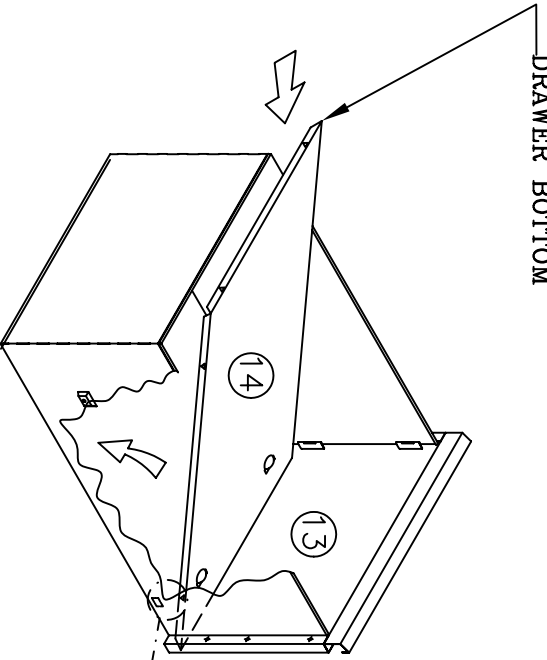


(C)



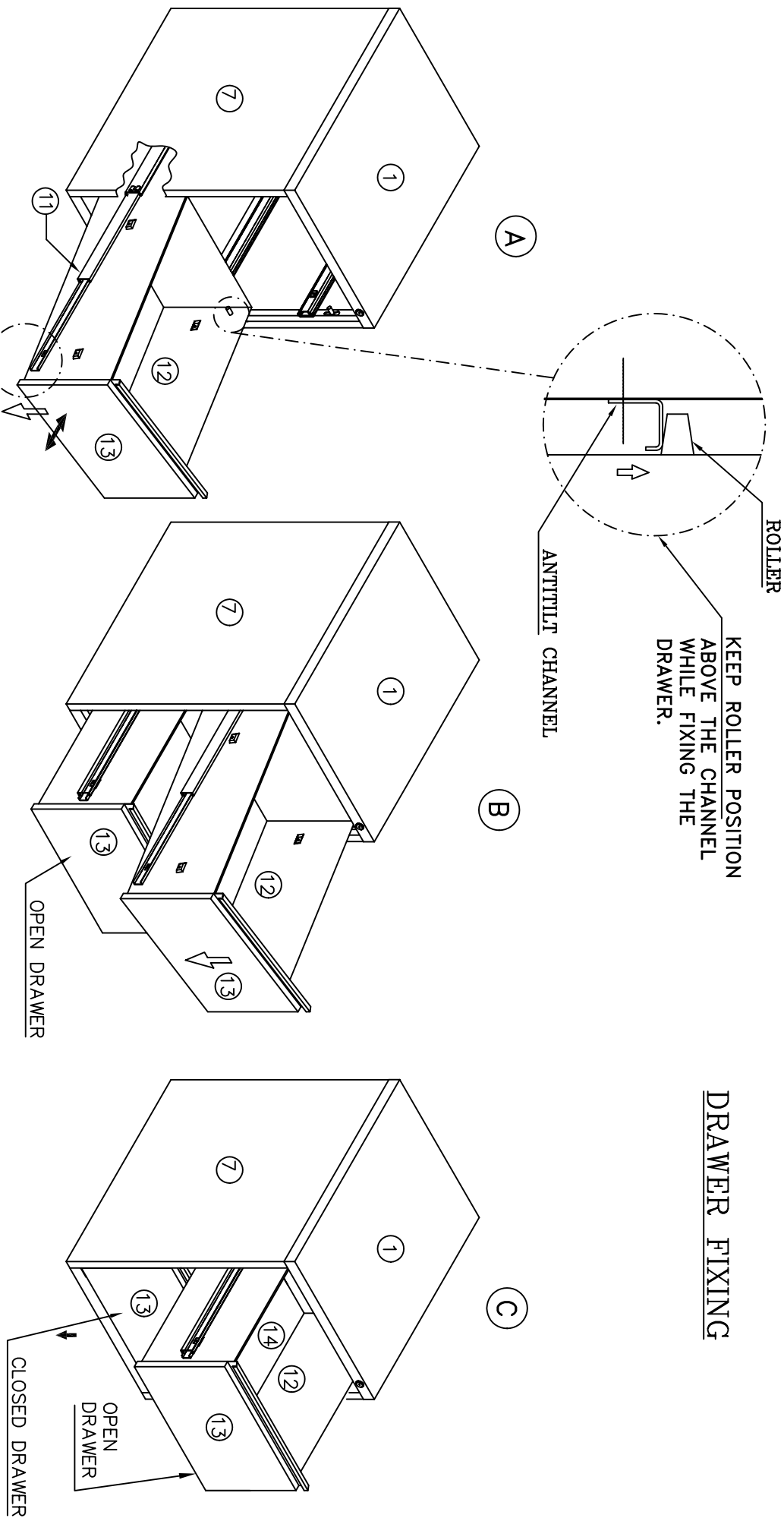
(A)

DRAWER BOTTOM



DRAWER BOTTOM ASSEMBLY

DRAWER FIXING



NOTE :

ALWAYS KEEP ONE DRAWER OPEN WHILE FIXING REMAINING DRAWERS & AT THE SAME TIME KEEP ROLLER POSITION ABOVE THE CHANNEL. AFTER FIXING THE DRAWER, CLOSE BOTH DRAWERS SLOWLY AT THE SAME TIME.