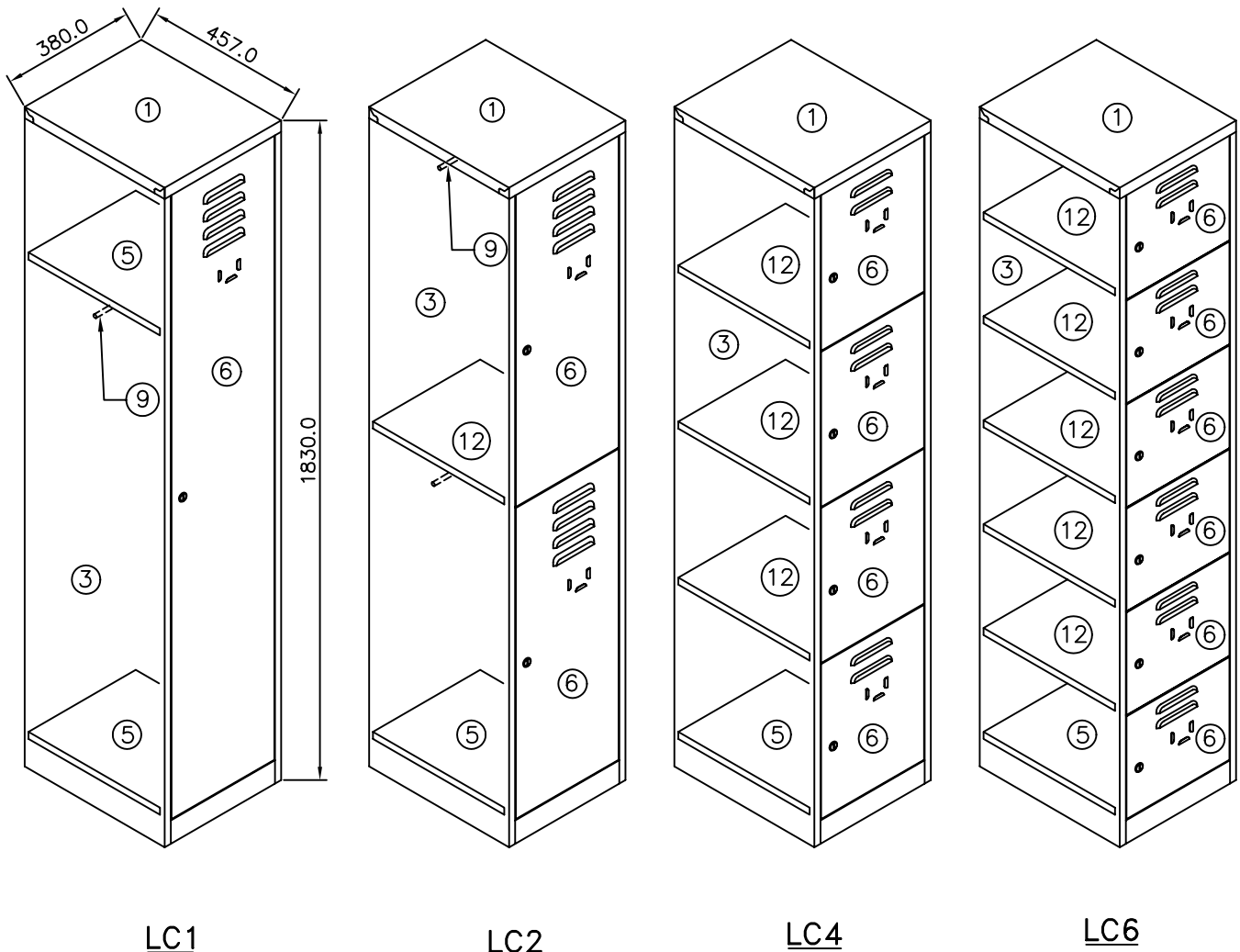


ASSEMBLY INSTRUCTIONS FOR FASTENER FREE LOCKER CABINET

* PLEASE STUDY THE ASSEMBLY INSTRUCTIONS CAREFULLY & FAMILIARISE YOURSELF WITH THE PARTS BEFORE ASSEMBLY.

* TOOLS REQUIRED : WORK AREA AT TABLE HEIGHT LEVEL & SOFT HAMMER.

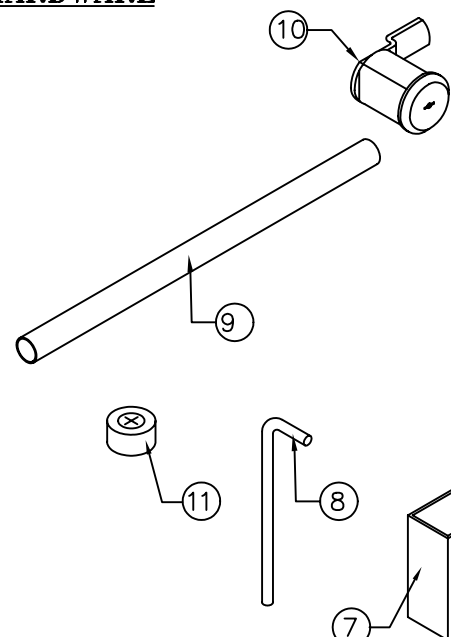
* ENSURE THAT ALL THE ITEMS LISTED IN PARTS LIST ARE PRESENT BEFORE ASSEMBLY.

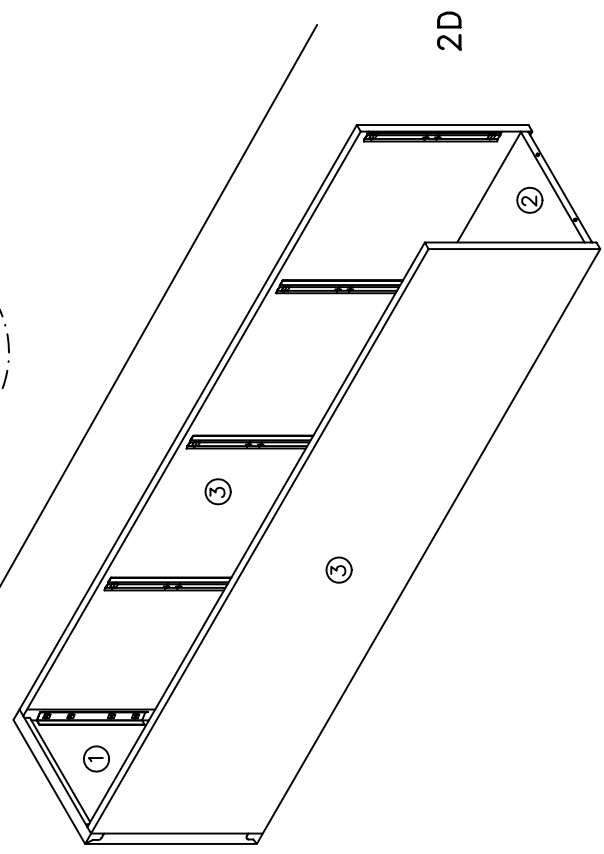
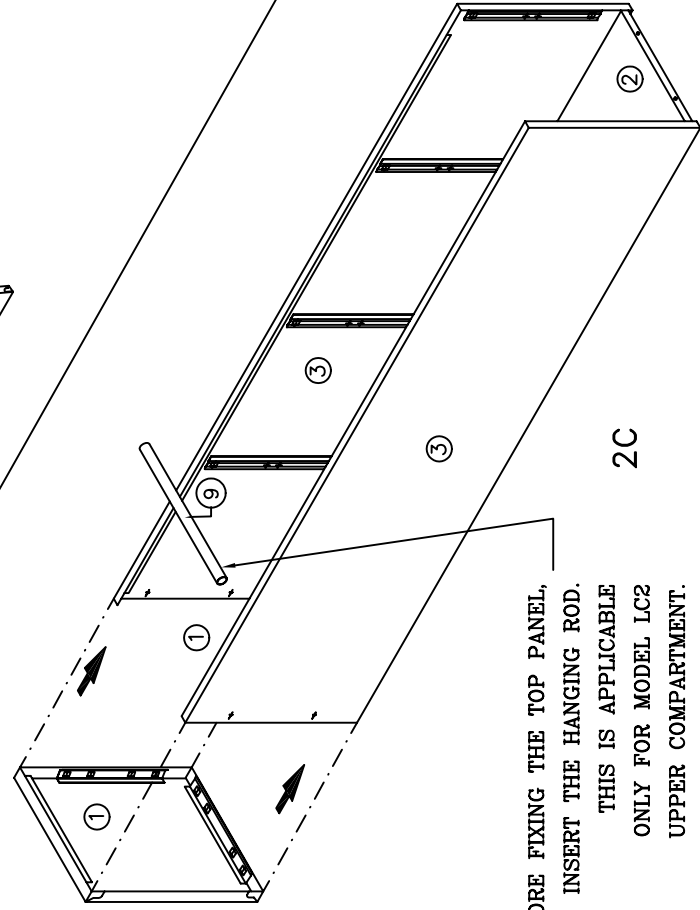
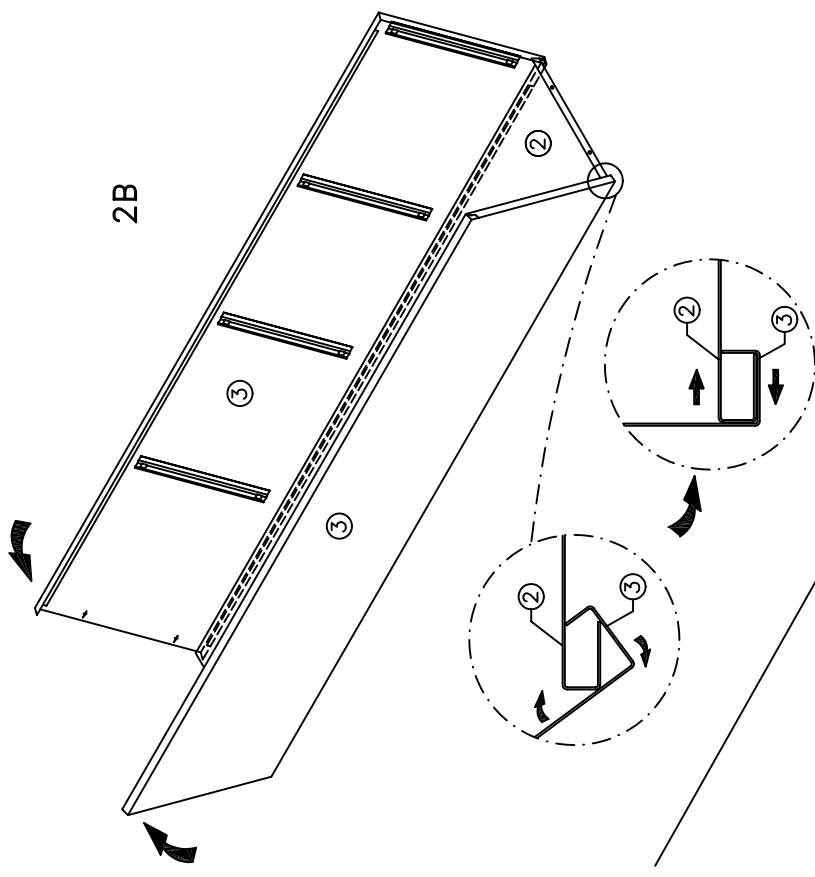
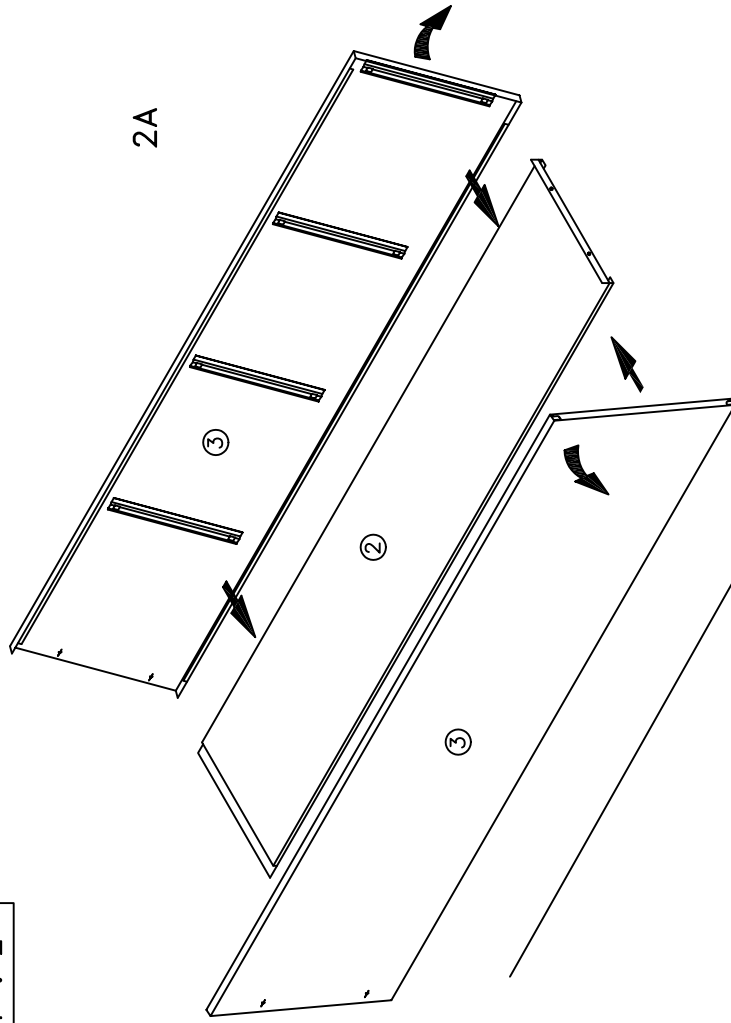


PARTS LIST

PART NO.	DESCRIPTION	QTY.	QTY.	QTY.	QTY.
		LC1	LC2	LC4	LC6
1.	TOP PANEL	1	1	1	1
2.	BACK PANEL	1	1	1	1
3.	SIDE PANEL (COMMON)	2	2	2	2
4.	FRAME	1	1	1	1
5.	BOTTOM/LC1 SHELF	2	1	1	1
6.	DOOR	1	2	4	6
7.	SIDE HINGE	3	4	8	12
8.	HINGE PIN	3	4	8	12
9.	HANGING ROD	1	2	-	-
10.	LOCK	1	2	4	6
11.	HINGE PIN HOLDER (RUBBER SLEEVE) (FOR LC6 ONLY)	-	-	-	6
12.	DIVIDING SHELF	-	1	3	5

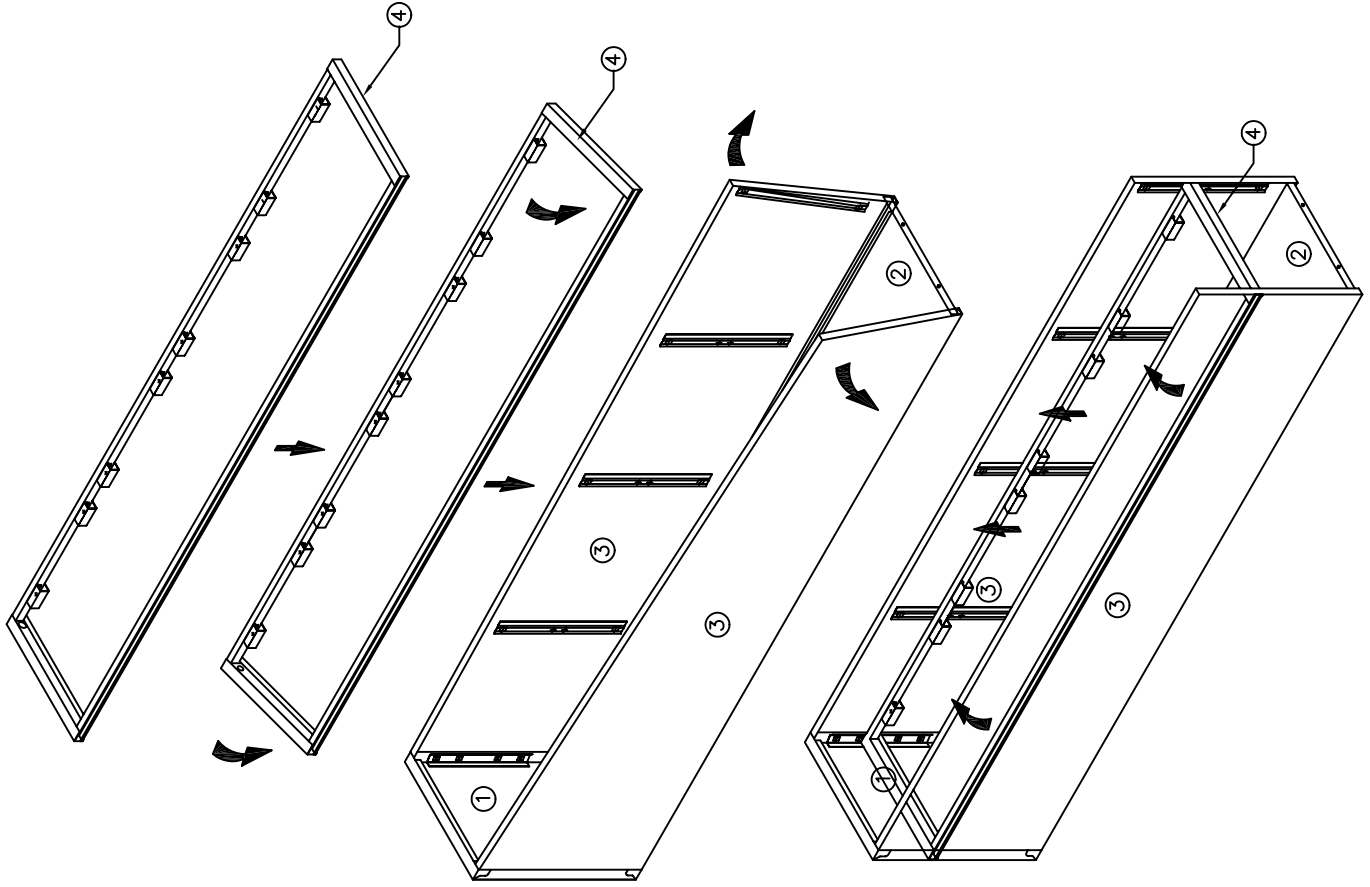
HARDWARE





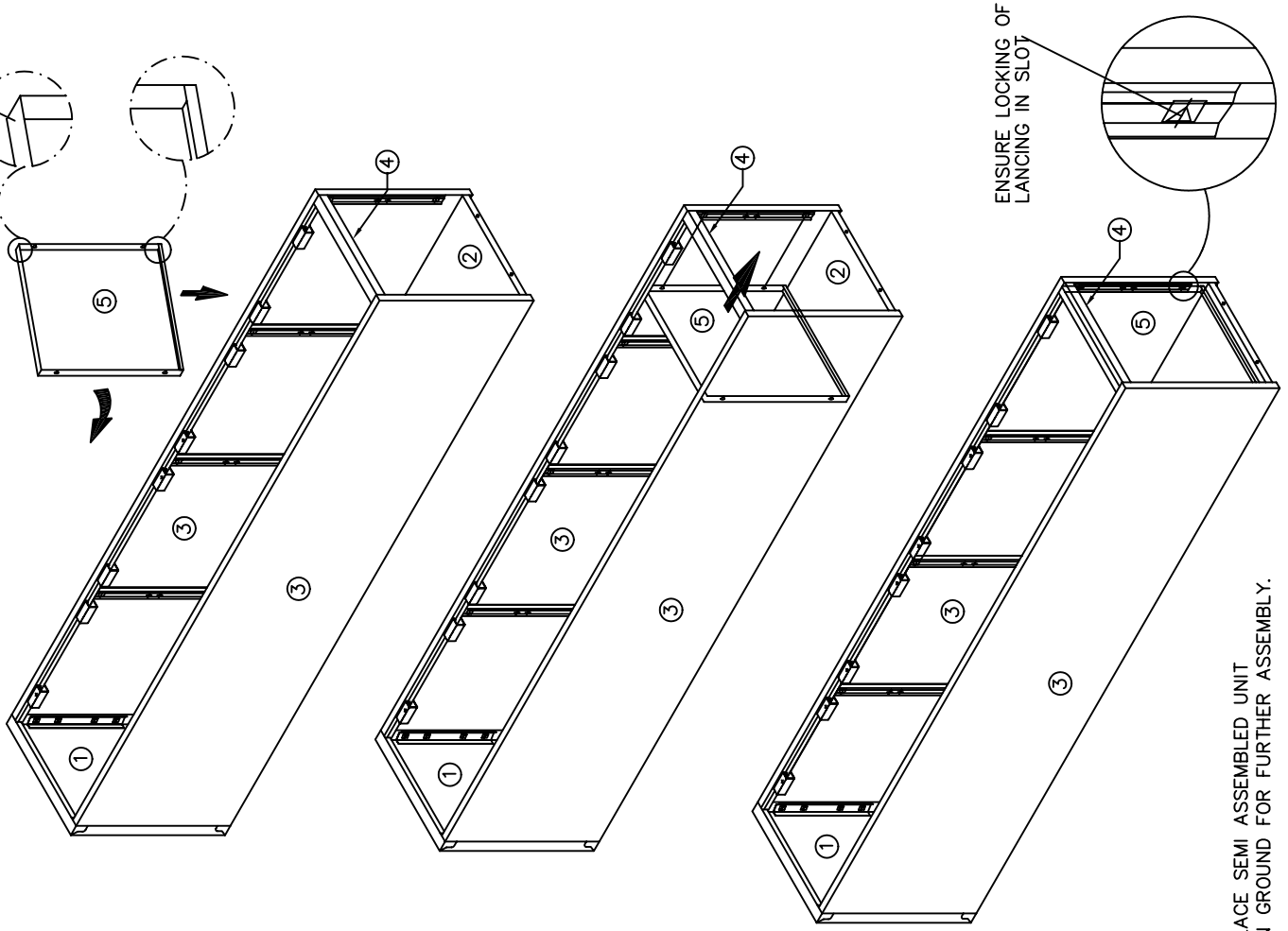
STEP : 3

FRAME INSERTION IN SIDE & TOP PANEL



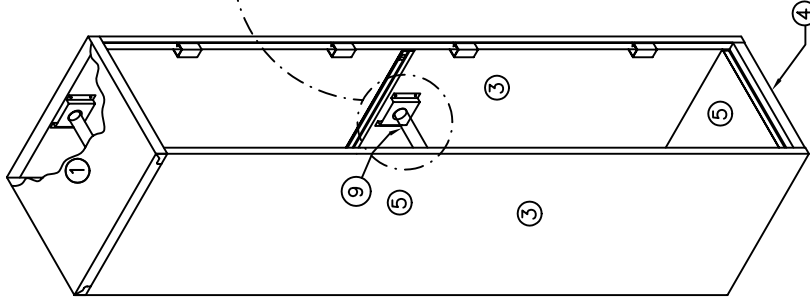
STEP : 4

INSERTION OF BOTTOM PANEL



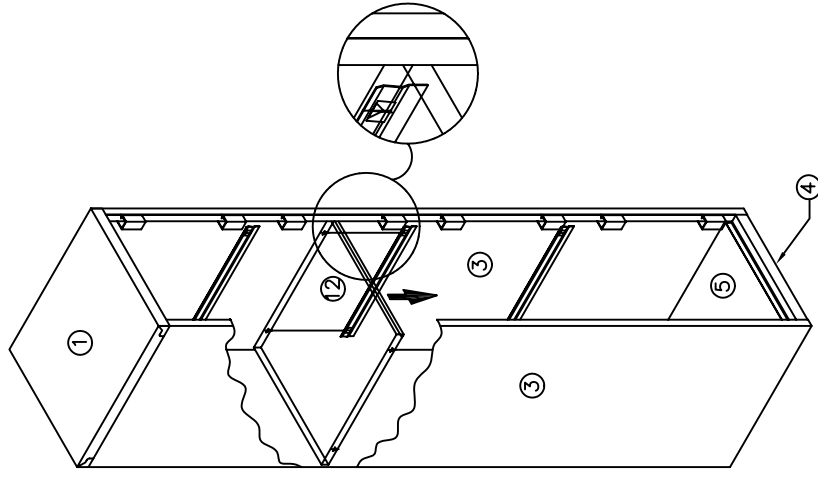
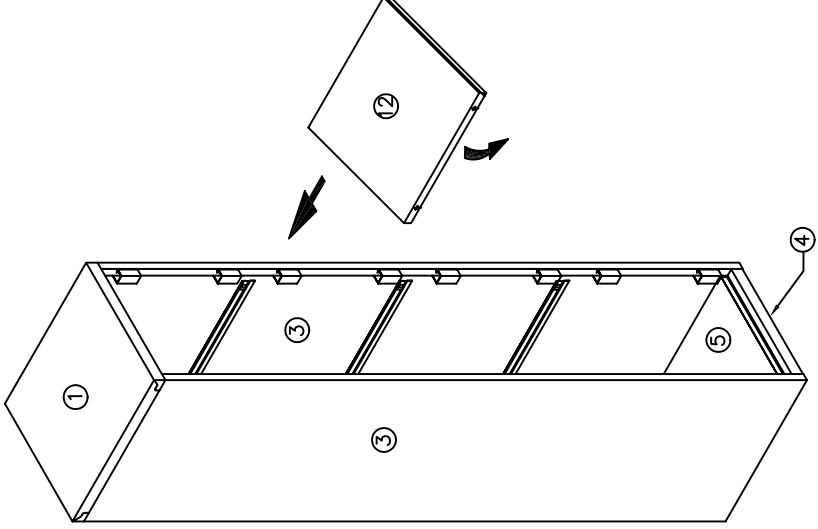
PLACE SEMI ASSEMBLED UNIT
ON GROUND FOR FURTHER ASSEMBLY.

STEP : 5

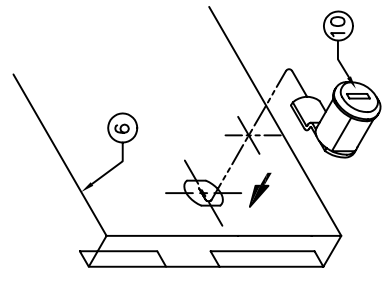


NOTE:
BEFORE FIXING THE SHELF,
INSERT HANGING ROD.
INSERTION OF HANGING ROD
IS APPLICABLE FOR MODELS
LC1 AND LC2 LOWER
COMPARTMENTS.

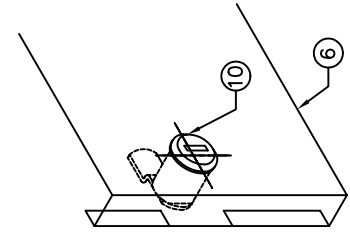
STEP : 6



STEP : 7 | LOCK ASSEMBLY WITH DOOR

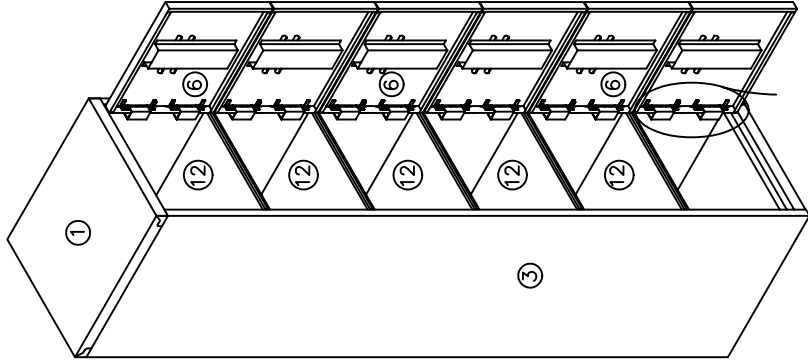


INSERT LOCK FROM FRONT SIDE
OF DOOR AS SHOWN

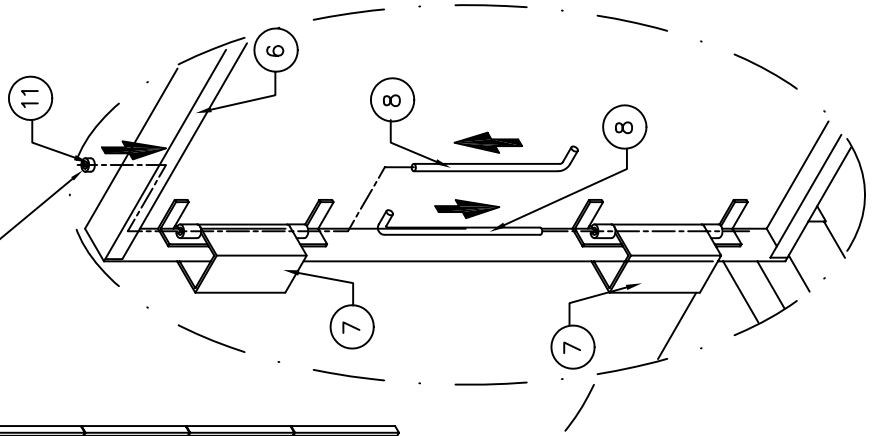


SECURE LOCK WITH
LOCK CLIP

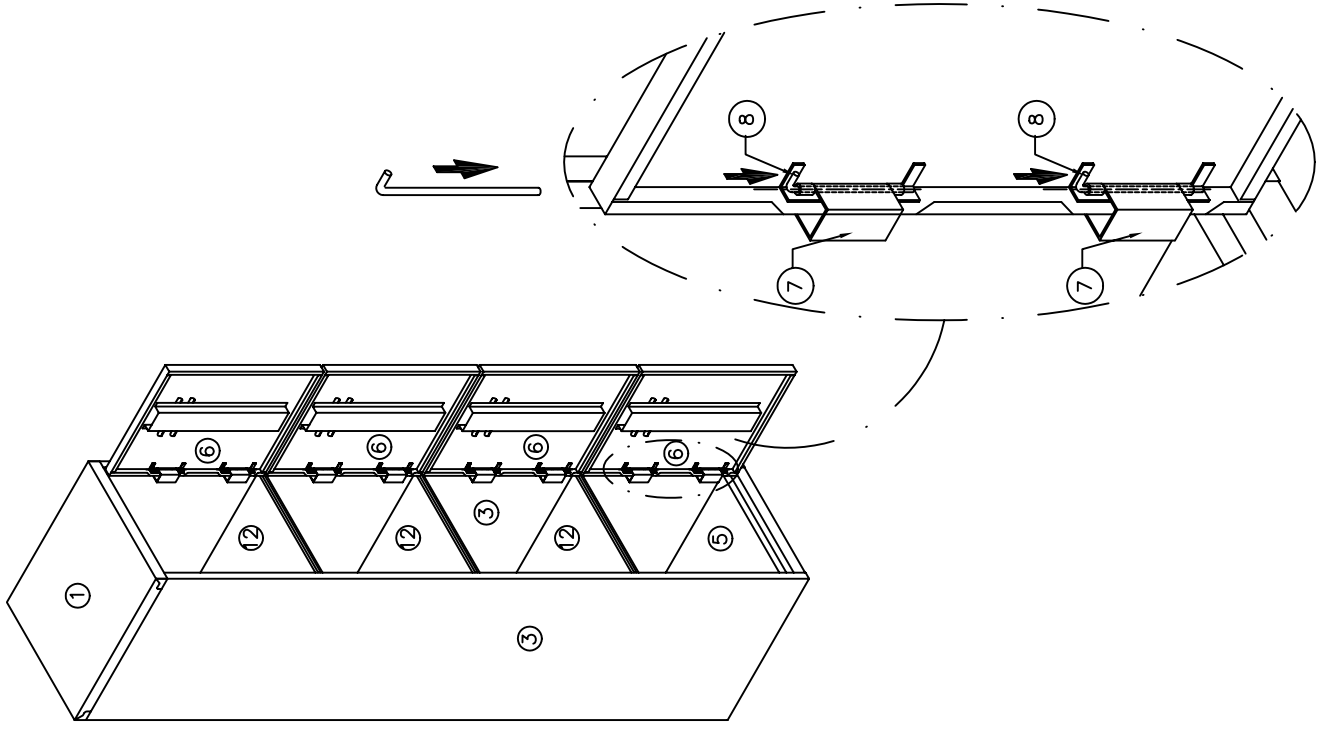
LC6 DOOR ASSEMBLY



INSERT HINGE PIN IN
UPWARD POSITION FOR
TOP SIDE HINGE OF
EACH DOOR OF LC6&
PUSH RUBBER SLEEVE
ON HINGE PIN END.



LC4 DOOR ASSEMBLY



LC2 DOOR ASSEMBLY

